

DESCRIPTION

The 7540 Group is the 8-bit microcomputer based on the 740 family core technology.

The 7540 Group has a serial I/O, 8-bit timers, a 16-bit timer, and an A/D converter, and is useful for control of home electric appliances and office automation equipment.

FEATURES

- Basic machine-language instructions 71
- The minimum instruction execution time 0.34 μ s
(at 6 MHz oscillation frequency, double-speed mode for the shortest instruction)
- Memory size ROM 8 K to 32 K bytes
RAM 384 to 768 bytes
- Programmable I/O ports 29 (25 in 32-pin version)
- Interrupts 15 sources, 15 vectors
..... (14 sources, 14 vectors for 32-pin version)
- Timers 8-bit X 4
..... 16-bit X 1
- Serial I/O1 8-bit X 1 (UART or Clock-synchronized)
- Serial I/O2 (**Note 1**) 8-bit X 1 (Clock-synchronized)
- A/D converter 10-bit X 8 channels
..... (6 channels for 32-pin version)
- Clock generating circuit Built-in type
(low-power dissipation by an on-chip oscillator enabled)
(connect to external ceramic resonator or quartz-crystal oscillator permitting RC oscillation)
- Watchdog timer 16-bit X 1
- Power source voltage
XIN oscillation frequency at ceramic oscillation, in double-speed mode
At 6 MHz 4.5 to 5.5 V
XIN oscillation frequency at ceramic oscillation, in high-speed mode
At 8 MHz 4.0 to 5.5 V
At 4 MHz 2.4 to 5.5 V
At 2 MHz 2.2 to 5.5 V
XIN oscillation frequency at RC oscillation in high-speed mode or middle-speed mode
At 4 MHz 4.0 to 5.5 V
At 2 MHz 2.4 to 5.5 V
At 1 MHz 2.2 to 5.5 V
- Power dissipation
Mask ROM version 22.5 mW (standard)
One Time PROM version 30 mW (standard)
- Operating temperature range -20 to 85 °C
(-40 to 85 °C for extended operating temperature version)
(-40 to 125 °C for extended operating temperature 125 °C version (**Note 2**))

APPLICATION

Office automation equipment, factory automation equipment, home electric appliances, consumer electronics, car, etc.

Notes 1: Serial I/O2 can be used in the following cases;

- (1) Serial I/O1 is not used,
- (2) Serial I/O1 is used as UART and BRG output divided by 16 is selected as the synchronized clock.

2: In this version, the operating temperature range and total time are limited as follows;

- 55 °C to 85 °C: within total 6000 hours,
- 85 °C to 125 °C: within total 1000 hours.

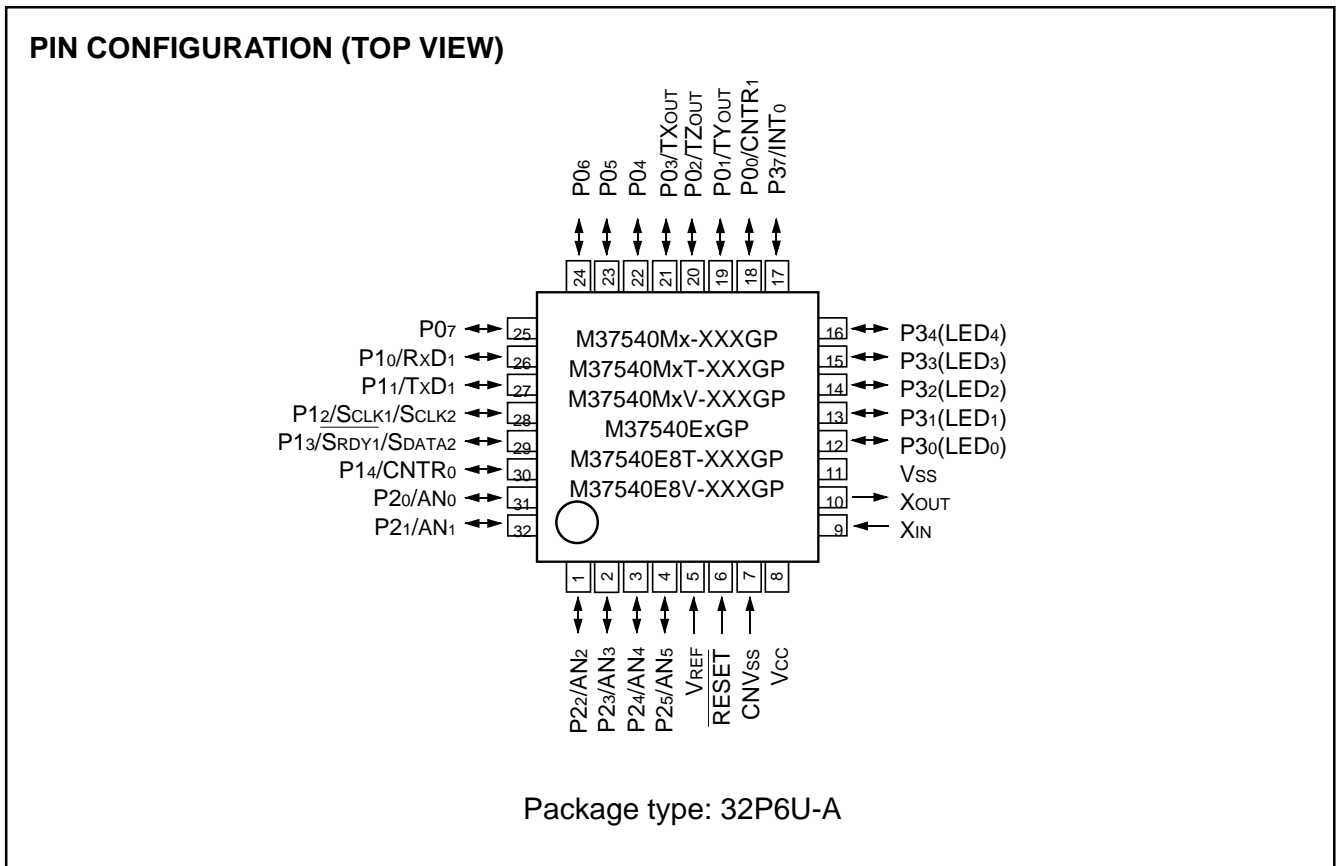


Fig. 1 Pin configuration (32P6U-A type)

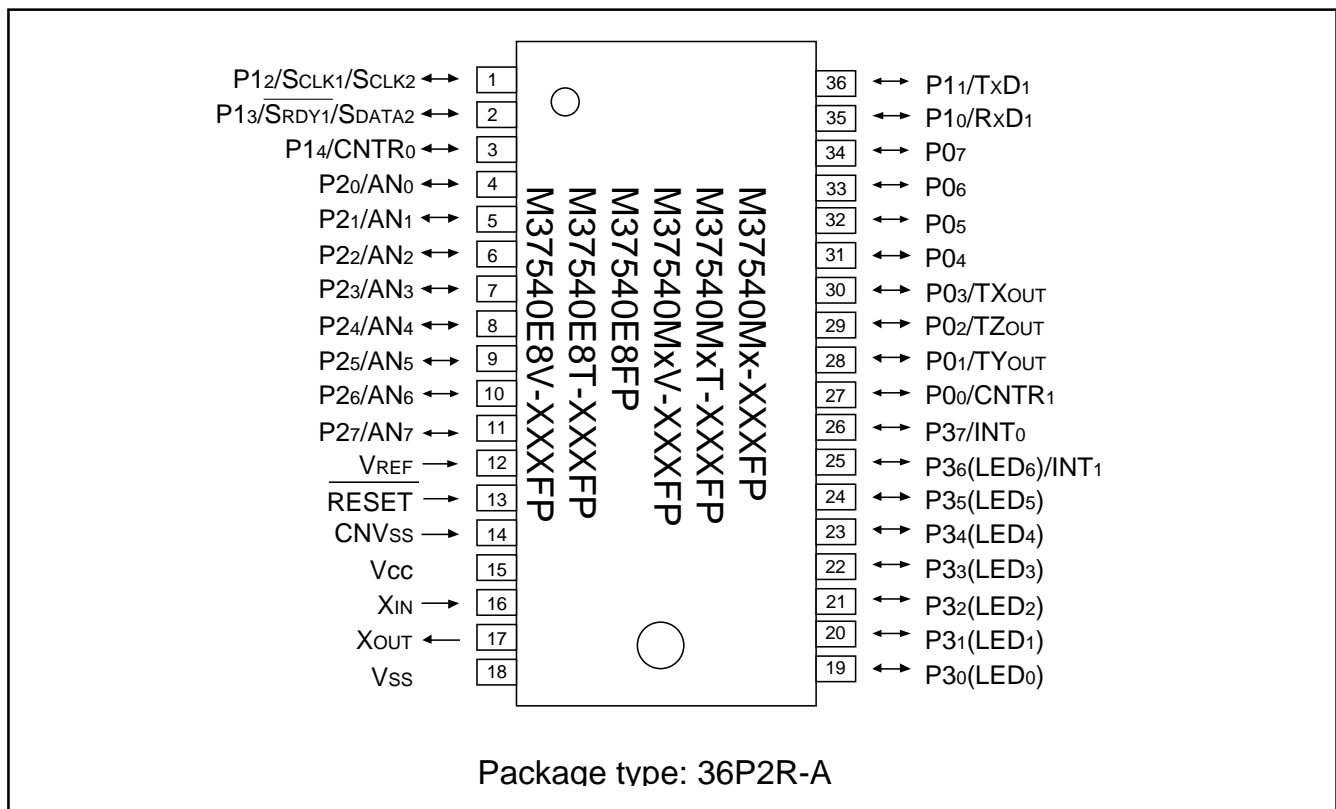


Fig. 2 Pin configuration (36P2R-A type)

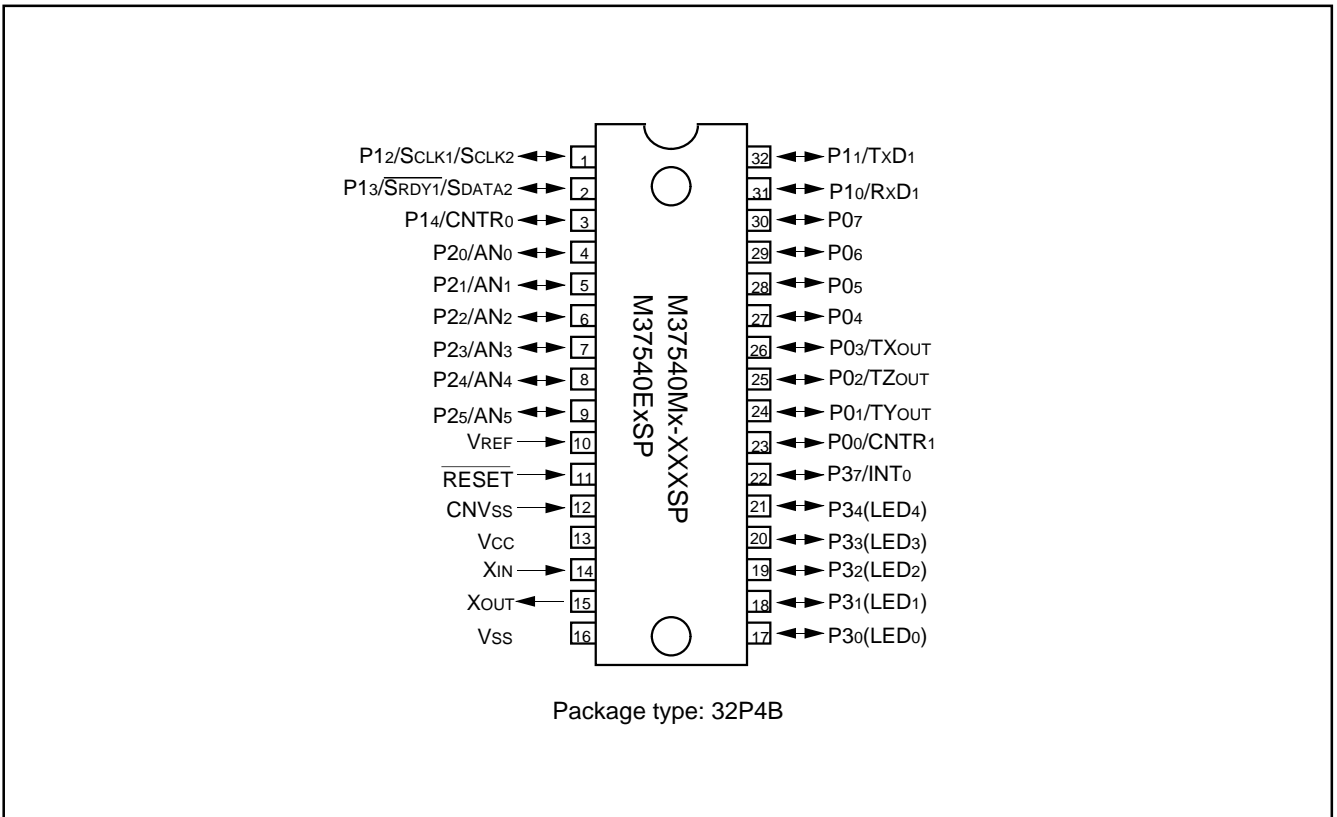


Fig. 3 Pin configuration (32P4B-A type)

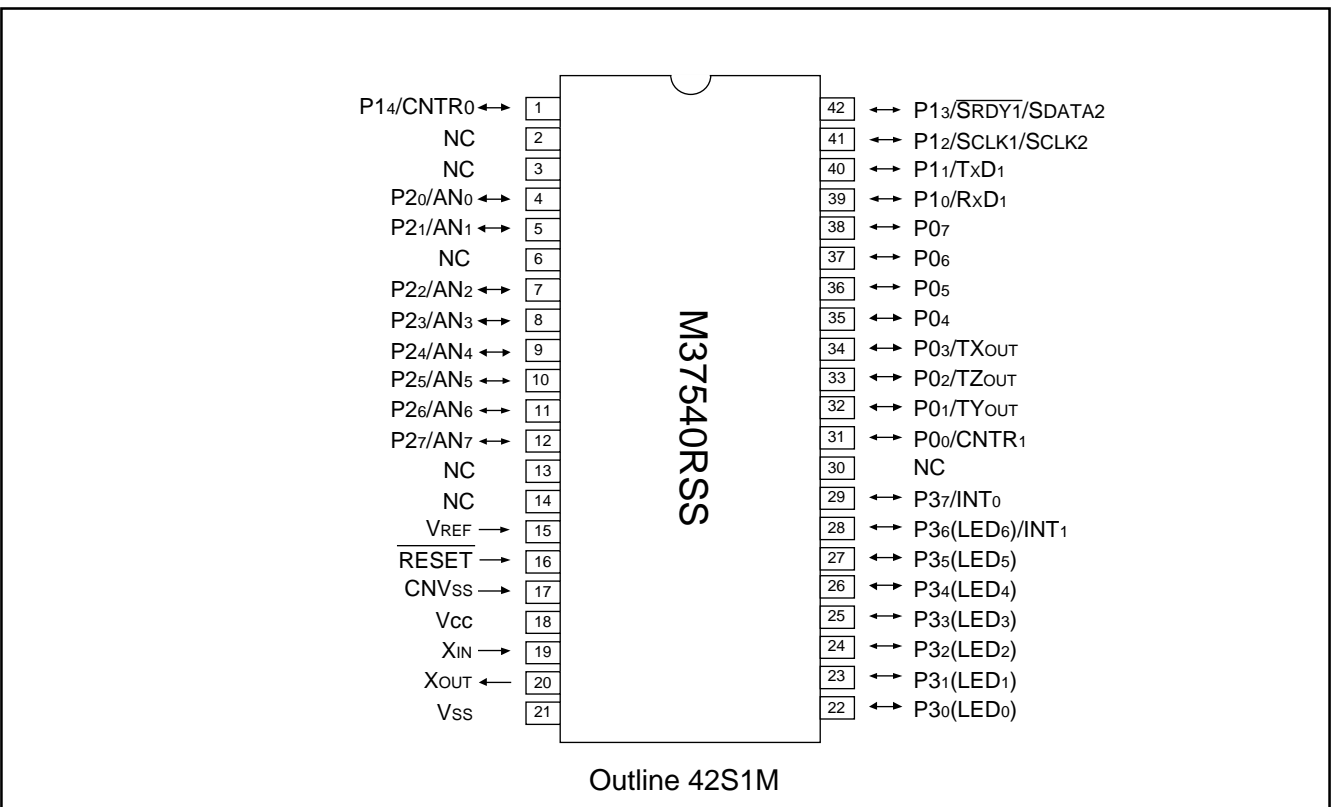


Fig. 4 Pin configuration (42S1M type)

FUNCTIONAL BLOCK

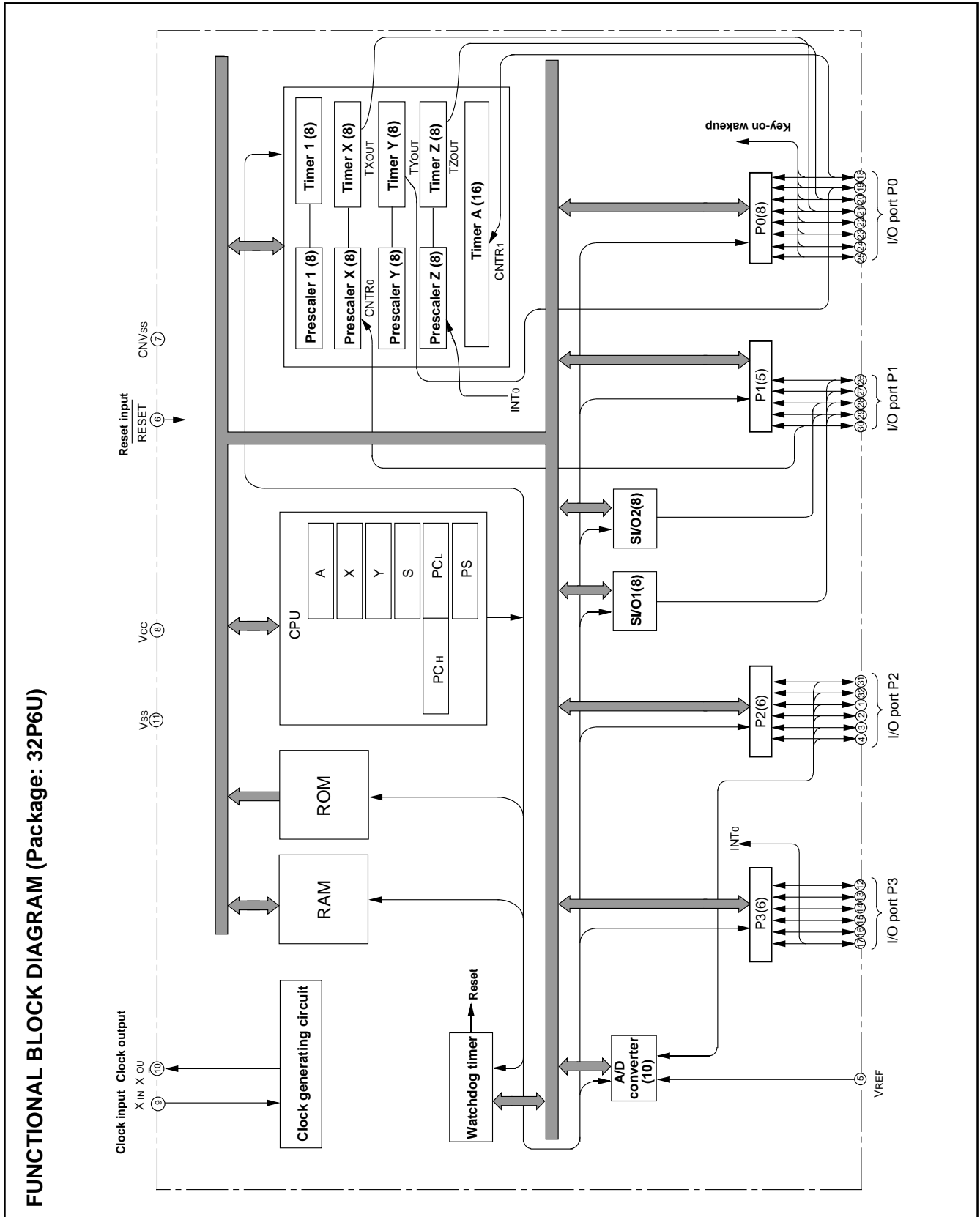


Fig. 5 Functional block diagram (32P6U package)

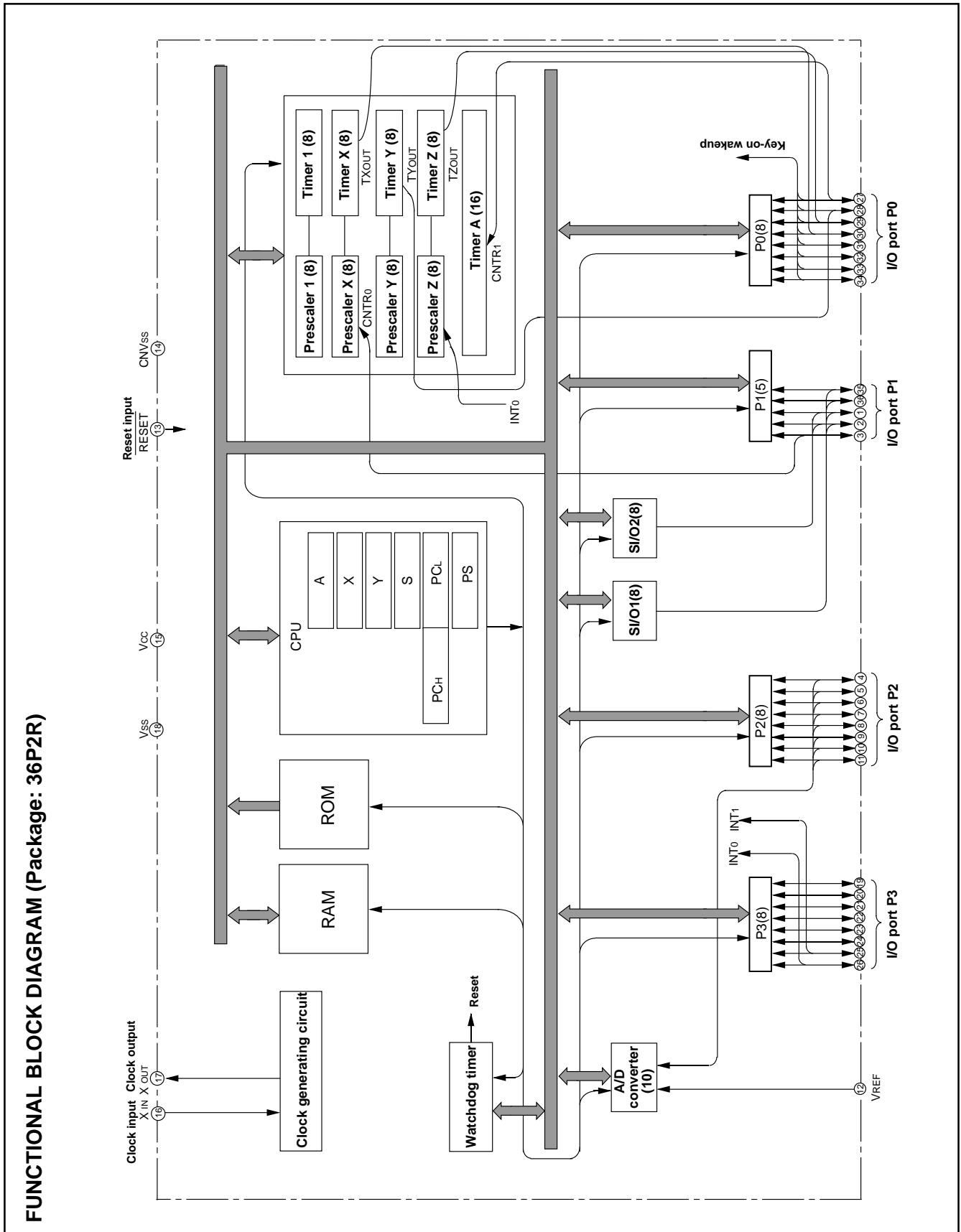


Fig. 6 Functional block diagram (36P2R package)

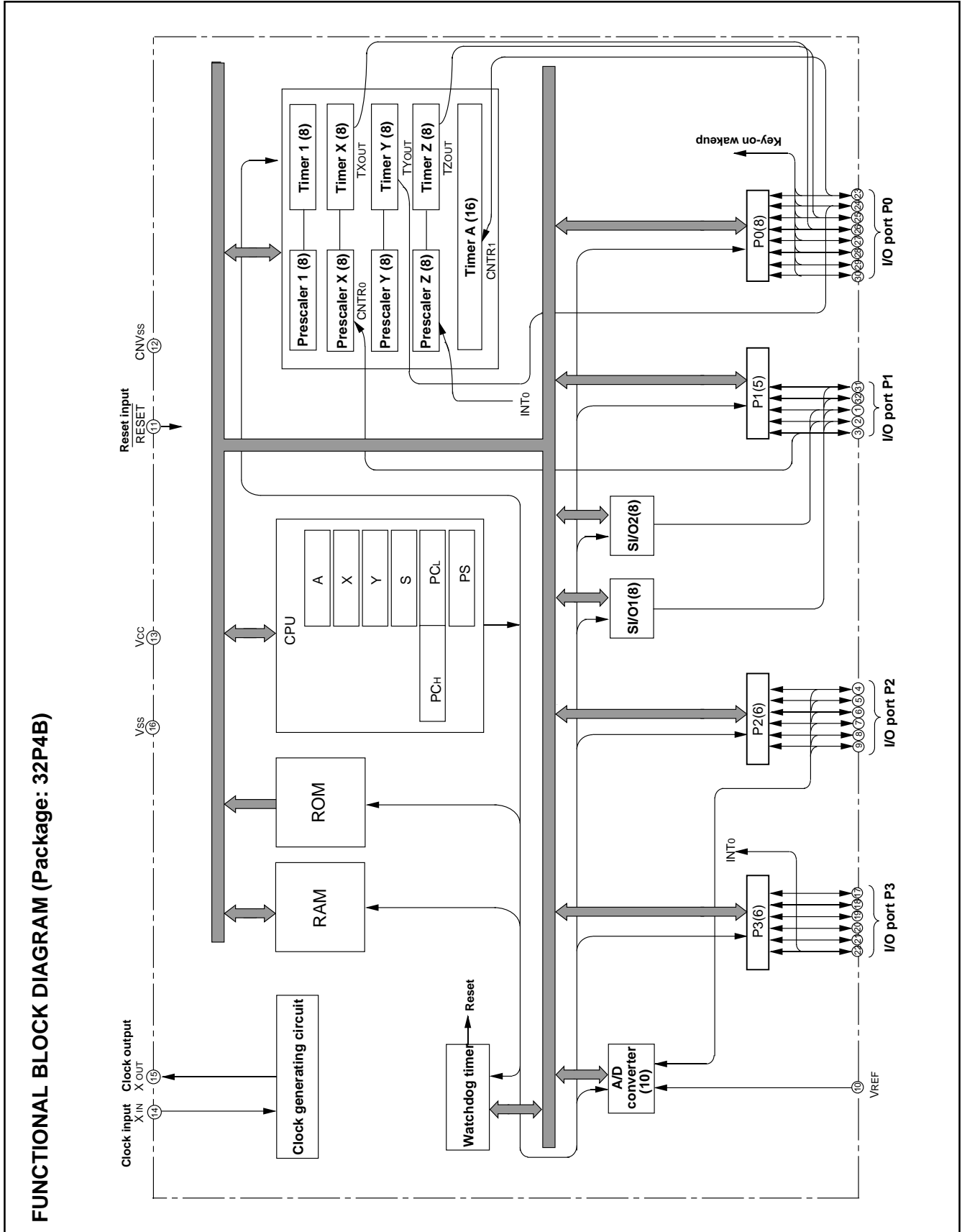


Fig. 7 Functional block diagram (32P4B package)

PIN DESCRIPTION

Table 1 Pin description

Pin	Name	Function	Function expect a port function
Vcc, Vss	Power source (Note 1)	•Apply voltage of 2.2 to 5.5 V to Vcc, and 0 V to Vss.	
VREF	Analog reference voltage	•Reference voltage input pin for A/D converter	
CNVss	CNVss	•Chip operating mode control pin, which is always connected to Vss.	
RESET	Reset input	•Reset input pin for active "L"	
XIN	Clock input	•Input and output pins for main clock generating circuit •Connect a ceramic resonator or quartz crystal oscillator between the XIN and XOUT pins.	
XOUT	Clock output	•For using RC oscillator, short between the XIN and XOUT pins, and connect the capacitor and resistor. •If an external clock is used, connect the clock source to the XIN pin and leave the XOUT pin open. •When the on-chip oscillator is selected as the main clock, connect XIN pin to Vss and leave XOUT open.	
P00/CNTR1 P01/TYOUT P02/TZOUT P03/TXOUT P04–P07	I/O port P0	•8-bit I/O port. •I/O direction register allows each pin to be individually programmed as either input or output. •CMOS compatible input level •CMOS 3-state output structure •Whether a built-in pull-up resistor is to be used or not can be determined by program.	• Key-input (key-on wake up interrupt input) pins • Timer Y, timer Z, timer X and timer A function pin
P10/RxD1 P11/TxD1	I/O port P1	•5-bit I/O port •I/O direction register allows each pin to be individually programmed as either input or output.	• Serial I/O1 function pin
P12/SCLK1/SCLK2 P13/SRDY1/SDATA2		•CMOS compatible input level •CMOS 3-state output structure	• Serial I/O1 function pin • Serial I/O2 function pin
P14/CNTR0		•CMOS/TTL level can be switched for P10, P12 and P13	• Timer X function pin
P20/AN0–P27/AN7	I/O port P2 (Note 2)	•8-bit I/O port having almost the same function as P0 •CMOS compatible input level •CMOS 3-state output structure	• Input pins for A/D converter
P30–P35	I/O port P3 (Note 3)	•8-bit I/O port •I/O direction register allows each pin to be individually programmed as either input or output. •CMOS compatible input level (CMOS/TTL level can be switched for P36 and P37). •CMOS 3-state output structure •P30 to P36 can output a large current for driving LED.	
P36/INT1 P37/INT0		•Whether a built-in pull-up resistor is to be used or not can be determined by program.	• Interrupt input pins

Notes 1: VCC = 2.4 to 5.5 V for the extended operating temperature version and the extended operating temperature 125 °C version.

2: P26/AN6 and P27/AN7 do not exist for the 32-pin version, so that Port P2 is a 6-bit I/O port.

3: P35 and P36/INT1 do not exist for the 32-pin version, so that Port P3 is a 6-bit I/O port.

GROUP EXPANSION

Renesas plans to expand the 7540 group as follow:

Memory type

Support for Mask ROM version, One Time PROM version, and Emulator MCU .

Memory size

ROM/PROM size 8 K to 32 K bytes
 RAM size 384 to 768 bytes

Package

32P4B 32-pin plastic molded SDIP
 32P6U-A 0.8 mm-pitch 32-pin plastic molded LQFP
 36P2R-A 0.8 mm-pitch 36-pin plastic molded SSOP
 42S1M 42-pin shrink ceramic PIGGY BACK

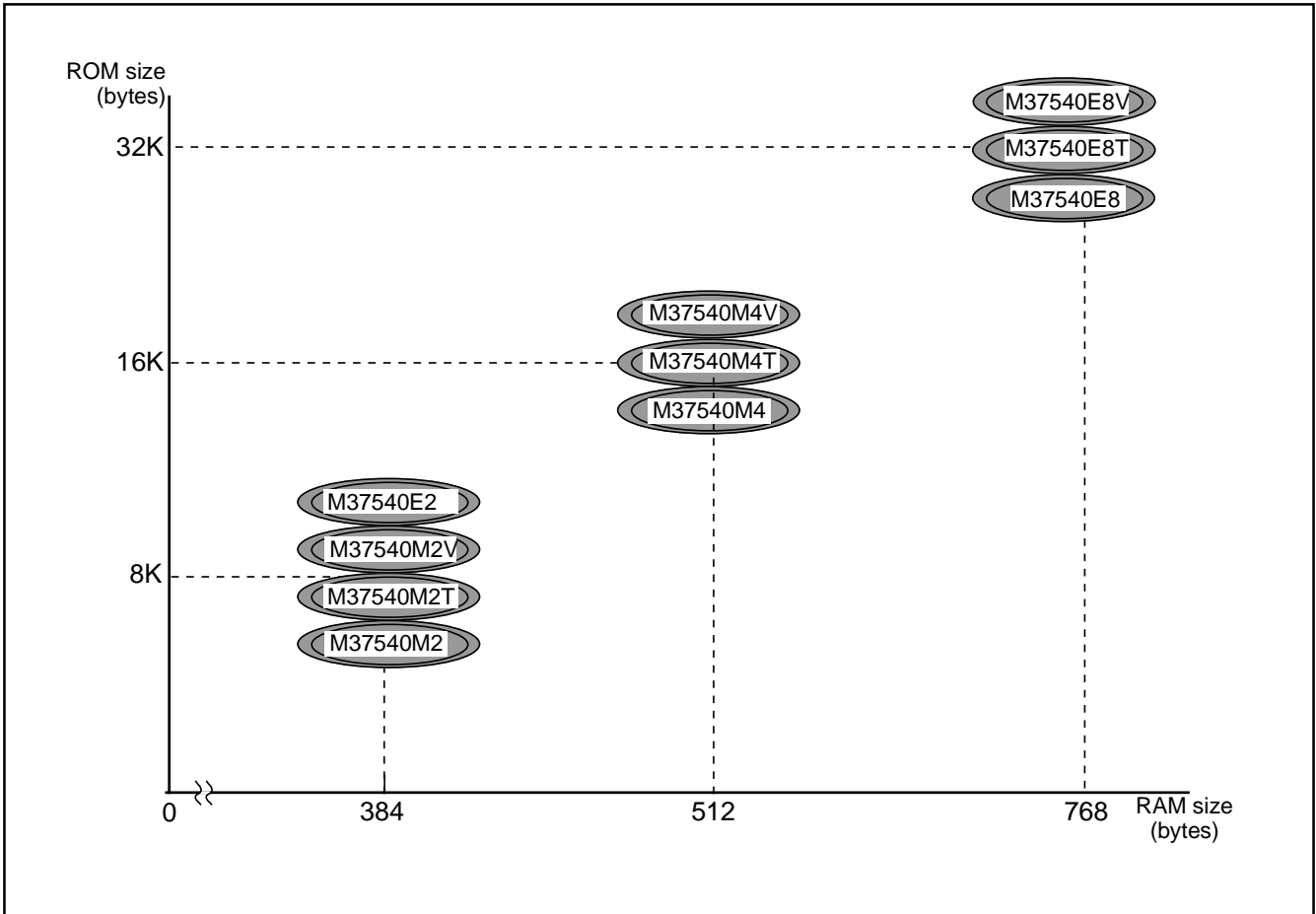


Fig. 8 Memory expansion plan

Currently supported products are listed below.

Table 2 List of supported products

Part Number	(P) ROM size (bytes) ROM size for User ()	RAM size (bytes)	Package	Remarks
M37540M2-XXXSP	8192 (8062)	384	32P4B	Mask ROM version
M37540M2-XXXFP			36P2R-A	Mask ROM version
M37540M2T-XXXFP				Mask ROM version (extended operating temperature version)
M37540M2V-XXXFP				Mask ROM version (extended operating temperature 125 °C version)
M37540M2-XXXGP			32P6U-A	Mask ROM version
M37540M2T-XXXGP				Mask ROM version (extended operating temperature version)
M37540M2V-XXXGP				Mask ROM version (extended operating temperature 125 °C version)
M37540M4-XXXSP	16384 (16254)	512	32P4B	Mask ROM version
M37540M4-XXXFP			36P2R-A	Mask ROM version
M37540M4T-XXXFP				Mask ROM version (extended operating temperature version)
M37540M4V-XXXFP				Mask ROM version (extended operating temperature 125 °C version)
M37540M4-XXXGP			32P6U-A	Mask ROM version
M37540M4T-XXXGP				Mask ROM version (extended operating temperature version)
M37540M4V-XXXGP				Mask ROM version (extended operating temperature 125 °C version)
M37540E2SP	8192 (8062)	384	32P4B	One Time PROM version (blank)
M37540E2FP			36P2R-A	One Time PROM version (blank)
M37540E2GP			32P6U-A	One Time PROM version (blank)
M37540E8SP	32768 (32638)	768	32P4B	One Time PROM version (blank)
M37540E8FP			36P2R-A	One Time PROM version (blank)
M37540E8T-XXXFP				One Time PROM version (shipped after programming, extended operating temperature version)
M37540E8V-XXXFP				One Time PROM version (shipped after programming, extended operating temperature 125 °C version)
M37540E8GP			32P6U-A	One Time PROM version (blank)
M37540E8T-XXXGP				One Time PROM version (shipped after programming, extended operating temperature version)
M37540E8V-XXXGP				One Time PROM version (shipped after programming, extended operating temperature 125 °C version)
M37540RSS	—————	768	42S1M	Emulator MCU

FUNCTIONAL DESCRIPTION

Central Processing Unit (CPU)

The MCU uses the standard 740 family instruction set. Refer to the table of 740 family addressing modes and machine-language instructions or the SERIES 740 <SOFTWARE> USER'S MANUAL for details on each instruction set.

Machine-resident 740 family instructions are as follows:

1. The FST and SLW instructions cannot be used.
2. The MUL and DIV instructions can be used.
3. The WIT instruction can be used.
4. The STP instruction can be used. (This instruction cannot be used while an on-chip oscillator is operating.)

Accumulator (A)

The accumulator is an 8-bit register. Data operations such as data transfer, etc., are executed mainly through the accumulator.

Index register X (X), Index register Y (Y)

Both index register X and index register Y are 8-bit registers. In the index addressing modes, the value of the OPERAND is added to the contents of register X or register Y and specifies the real address.

When the T flag in the processor status register is set to "1", the value contained in index register X becomes the address for the second OPERAND.

Stack pointer (S)

The stack pointer is an 8-bit register used during subroutine calls and interrupts. The stack is used to store the current address data and processor status when branching to subroutines or interrupt routines.

The lower eight bits of the stack address are determined by the contents of the stack pointer. The upper eight bits of the stack address are determined by the Stack Page Selection Bit. If the Stack Page Selection Bit is "0", then the RAM in the zero page is used as the stack area. If the Stack Page Selection Bit is "1", then RAM in page 1 is used as the stack area.

The Stack Page Selection Bit is located in the SFR area in the zero page. Note that the initial value of the Stack Page Selection Bit varies with each microcomputer type. Also some microcomputer types have no Stack Page Selection Bit and the upper eight bits of the stack address are fixed. The operations of pushing register contents onto the stack and popping them from the stack are shown in Fig. 10.

Program counter (PC)

The program counter is a 16-bit counter consisting of two 8-bit registers PCH and PCL. It is used to indicate the address of the next instruction to be executed.

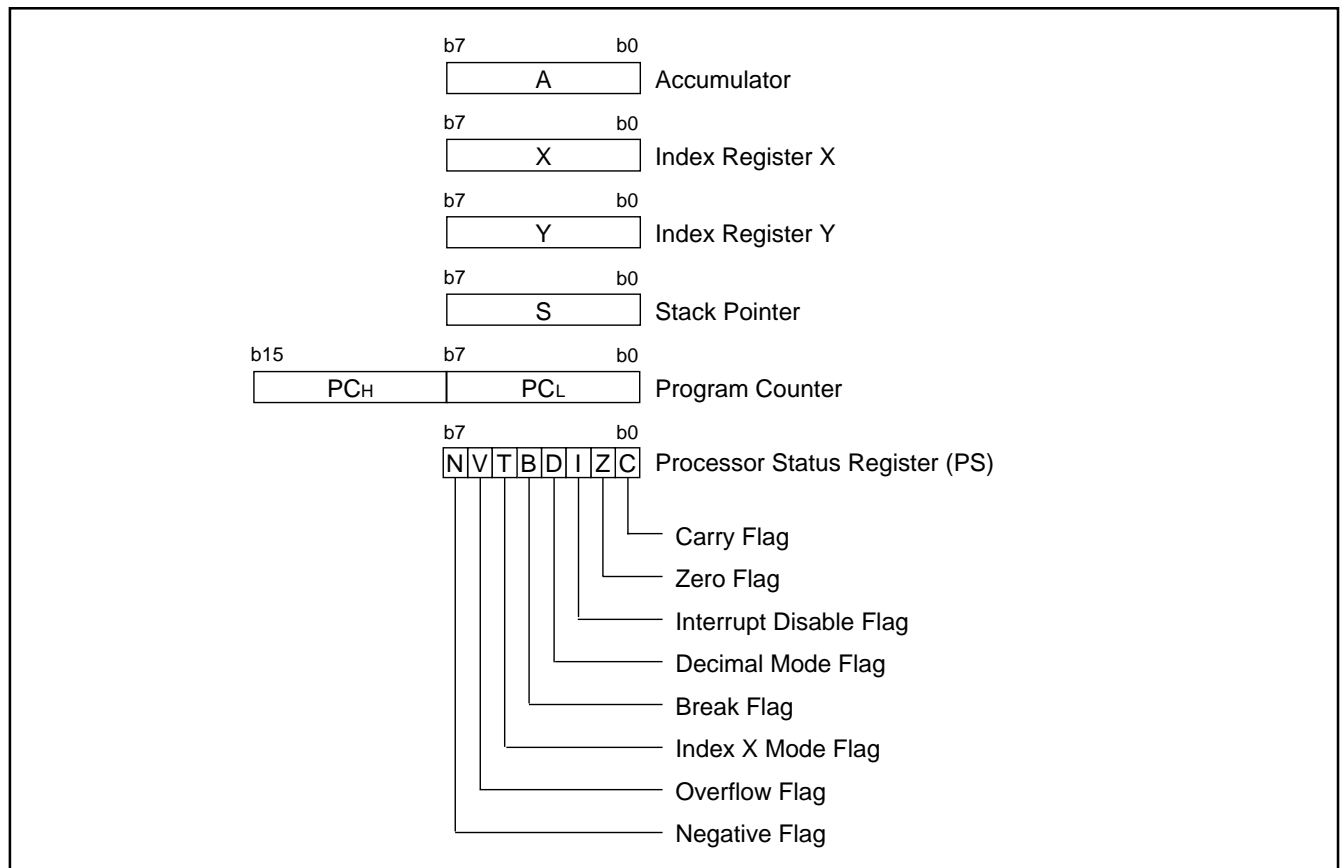


Fig. 9 740 Family CPU register structure

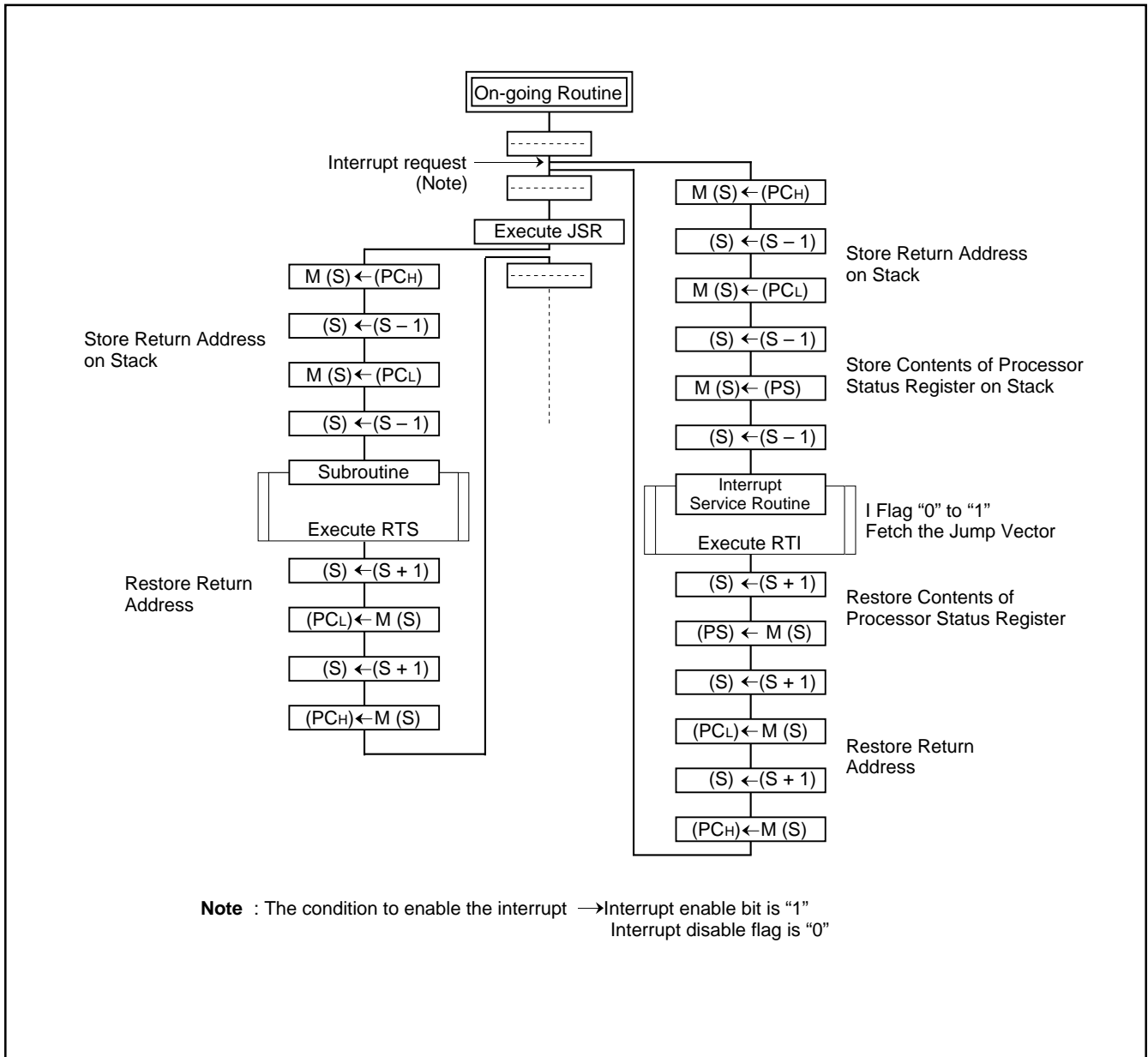


Fig. 10 Register push and pop at interrupt generation and subroutine call

Table 3 Push and pop instructions of accumulator or processor status register

	Push instruction to stack	Pop instruction from stack
Accumulator	PHA	PLA
Processor status register	PHP	PLP

Processor status register (PS)

The processor status register is an 8-bit register consisting of flags which indicate the status of the processor after an arithmetic operation. Branch operations can be performed by testing the Carry (C) flag, Zero (Z) flag, Overflow (V) flag, or the Negative (N) flag. In decimal mode, the Z, V, N flags are not valid.

After reset, the Interrupt disable (I) flag is set to "1", but all other flags are undefined. Since the Index X mode (T) and Decimal mode (D) flags directly affect arithmetic operations, they should be initialized in the beginning of a program.

(1) Carry flag (C)

The C flag contains a carry or borrow generated by the arithmetic logic unit (ALU) immediately after an arithmetic operation. It can also be changed by a shift or rotate instruction.

(2) Zero flag (Z)

The Z flag is set if the result of an immediate arithmetic operation or a data transfer is "0", and cleared if the result is anything other than "0".

(3) Interrupt disable flag (I)

The I flag disables all interrupts except for the interrupt generated by the BRK instruction. Interrupts are disabled when the I flag is "1".

When an interrupt occurs, this flag is automatically set to "1" to prevent other interrupts from interfering until the current interrupt is serviced.

(4) Decimal mode flag (D)

The D flag determines whether additions and subtractions are executed in binary or decimal. Binary arithmetic is executed when this flag is "0"; decimal arithmetic is executed when it is "1".

Decimal correction is automatic in decimal mode. Only the ADC and SBC instructions can be used for decimal arithmetic.

(5) Break flag (B)

The B flag is used to indicate that the current interrupt was generated by the BRK instruction. The BRK flag in the processor status register is always "0". When the BRK instruction is used to generate an interrupt, the processor status register is pushed onto the stack with the break flag set to "1". The saved processor status is the only place where the break flag is ever set.

(6) Index X mode flag (T)

When the T flag is "0", arithmetic operations are performed between accumulator and memory, e.g. the results of an operation between two memory locations is stored in the accumulator. When the T flag is "1", direct arithmetic operations and direct data transfers are enabled between memory locations, i.e. between memory and memory, memory and I/O, and I/O and I/O. In this case, the result of an arithmetic operation performed on data in memory location 1 and memory location 2 is stored in memory location 1. The address of memory location 1 is specified by index register X, and the address of memory location 2 is specified by normal addressing modes.

(7) Overflow flag (V)

The V flag is used during the addition or subtraction of one byte of signed data. It is set if the result exceeds +127 to -128. When the BIT instruction is executed, bit 6 of the memory location operated on by the BIT instruction is stored in the overflow flag.

(8) Negative flag (N)

The N flag is set if the result of an arithmetic operation or data transfer is negative. When the BIT instruction is executed, bit 7 of the memory location operated on by the BIT instruction is stored in the negative flag.

Table 4 Set and clear instructions of each bit of processor status register

	C flag	Z flag	I flag	D flag	B flag	T flag	V flag	N flag
Set instruction	SEC	–	SEI	SED	–	SET	–	–
Clear instruction	CLC	–	CLI	CLD	–	CLT	CLV	–

[CPU mode register] CPUM

The CPU mode register contains the stack page selection bit. This register is allocated at address 003B16.

Switching method of CPU mode register

Switch the CPU mode register (CPUM) at the head of program after releasing Reset in the following method.

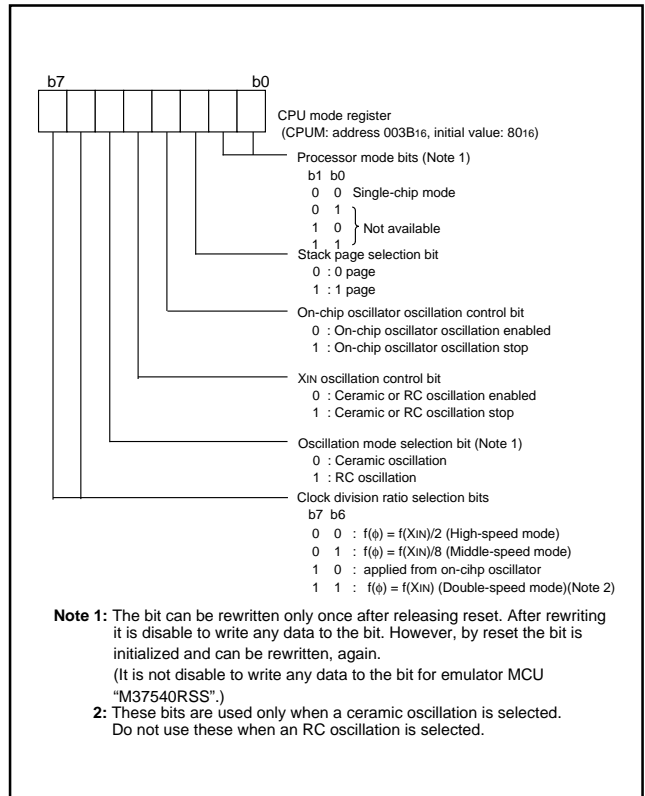


Fig. 11 Structure of CPU mode register

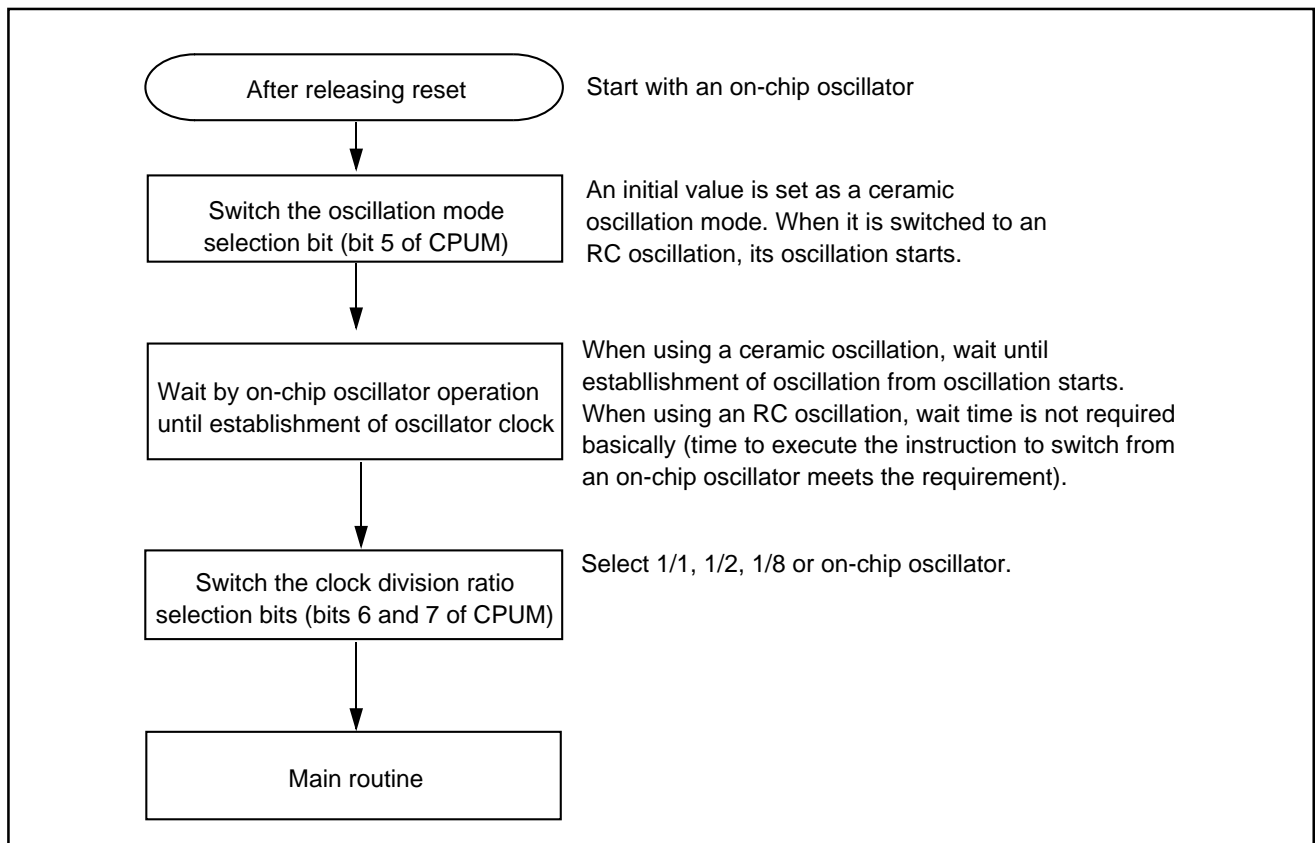


Fig. 12 Switching method of CPU mode register

Memory

Special function register (SFR) area

The SFR area in the zero page contains control registers such as I/O ports and timers.

RAM

RAM is used for data storage and for a stack area of subroutine calls and interrupts.

ROM

The first 128 bytes and the last 2 bytes of ROM are reserved for device testing and the rest is a user area for storing programs.

Interrupt vector area

The interrupt vector area contains reset and interrupt vectors.

Zero page

The 256 bytes from addresses 0000_{16} to $00FF_{16}$ are called the zero page area. The internal RAM and the special function registers (SFR) are allocated to this area.

The zero page addressing mode can be used to specify memory and register addresses in the zero page area. Access to this area with only 2 bytes is possible in the zero page addressing mode.

Special page

The 256 bytes from addresses $FF00_{16}$ to $FFFF_{16}$ are called the special page area. The special page addressing mode can be used to specify memory addresses in the special page area. Access to this area with only 2 bytes is possible in the special page addressing mode.

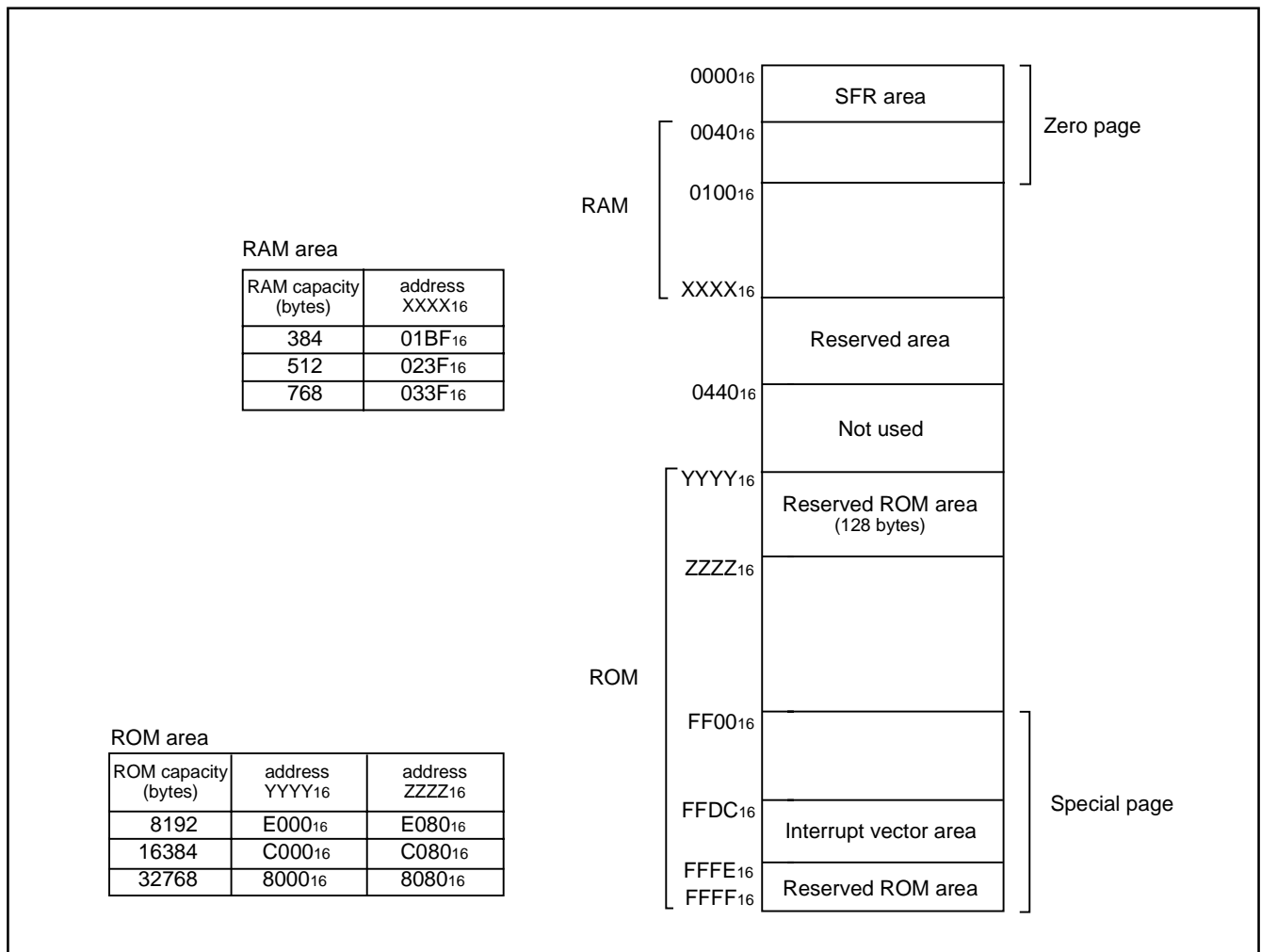


Fig. 13 Memory map diagram

0000 ₁₆	Port P0 (P0)	0020 ₁₆	Timer Y, Z mode register (TYZM)
0001 ₁₆	Port P0 direction register (P0D)	0021 ₁₆	Prescaler Y (PREY)
0002 ₁₆	Port P1 (P1)	0022 ₁₆	Timer Y secondary (TYS)
0003 ₁₆	Port P1 direction register (P1D)	0023 ₁₆	Timer Y primary (TYP)
0004 ₁₆	Port P2 (P2)	0024 ₁₆	Timer Y, Z waveform output control register (PUM)
0005 ₁₆	Port P2 direction register (P2D)	0025 ₁₆	Prescaler Z (PREZ)
0006 ₁₆	Port P3 (P3)	0026 ₁₆	Timer Z secondary (TZS)
0007 ₁₆	Port P3 direction register (P3D)	0027 ₁₆	Timer Z primary (TZP)
0008 ₁₆		0028 ₁₆	Prescaler 1 (PRE1)
0009 ₁₆		0029 ₁₆	Timer 1 (T1)
000A ₁₆		002A ₁₆	One-shot start register (ONS)
000B ₁₆		002B ₁₆	Timer X mode register (TXM)
000C ₁₆		002C ₁₆	Prescaler X (PREX)
000D ₁₆		002D ₁₆	Timer X (TX)
000E ₁₆		002E ₁₆	Timer count source set register (TCSS)
000F ₁₆		002F ₁₆	
0010 ₁₆		0030 ₁₆	Serial I/O2 control register (SIO2CON)
0011 ₁₆		0031 ₁₆	Serial I/O2 register (SIO2)
0012 ₁₆		0032 ₁₆	
0013 ₁₆		0033 ₁₆	
0014 ₁₆		0034 ₁₆	A/D control register (ADCON)
0015 ₁₆		0035 ₁₆	A/D conversion register (low-order) (ADL)
0016 ₁₆	Pull-up control register (PULL)	0036 ₁₆	A/D conversion register (high-order) (ADH)
0017 ₁₆	Port P1P3 control register (P1P3C)	0037 ₁₆	
0018 ₁₆	Transmit/Receive buffer register (TB/RB)	0038 ₁₆	MISRG
0019 ₁₆	Serial I/O1 status register (SIO1STS)	0039 ₁₆	Watchdog timer control register (WDTCON)
001A ₁₆	Serial I/O1 control register (SIO1CON)	003A ₁₆	Interrupt edge selection register (INTEDGE)
001B ₁₆	UART control register (UARTCON)	003B ₁₆	CPU mode register (CPUM)
001C ₁₆	Baud rate generator (BRG)	003C ₁₆	Interrupt request register 1 (IREQ1)
001D ₁₆	Timer A mode register (TAM)	003D ₁₆	Interrupt request register 2 (IREQ2)
001E ₁₆	Timer A (low-order) (TAL)	003E ₁₆	Interrupt control register 1 (ICON1)
001F ₁₆	Timer A (high-order) (TAH)	003F ₁₆	Interrupt control register 2 (ICON2)

Note : Do not access to the SFR area including nothing.

Fig. 14 Memory map of special function register (SFR)

I/O Ports

[Direction registers] PiD

The I/O ports have direction registers which determine the input/output direction of each pin. Each bit in a direction register corresponds to one pin, and each pin can be set to be input or output. When "1" is set to the bit corresponding to a pin, this pin becomes an output port. When "0" is set to the bit, the pin becomes an input port.

When data is read from a pin set to output, not the value of the pin itself but the value of port latch is read. Pins set to input are floating, and permit reading pin values.

If a pin set to input is written to, only the port latch is written to and the pin remains floating.

[Pull-up control register] PULL

By setting the pull-up control register (address 001616), ports P0 and P3 can exert pull-up control by program. However, pins set to output are disconnected from this control and cannot exert pull-up control.

Note: P26/AN6, P27/AN7, P35 and P36 do not exist for the 32-pin version.

Accordingly, the following settings are required;

- . Set direction registers of ports P26 and P27 to output.
- . Set direction registers of ports P35 and P36 to output.

[Port P1P3 control register] P1P3C

By setting the port P1P3 control register (address 001716), a CMOS input level or a TTL input level can be selected for ports P10, P12, P13, P36, and P37 by program.

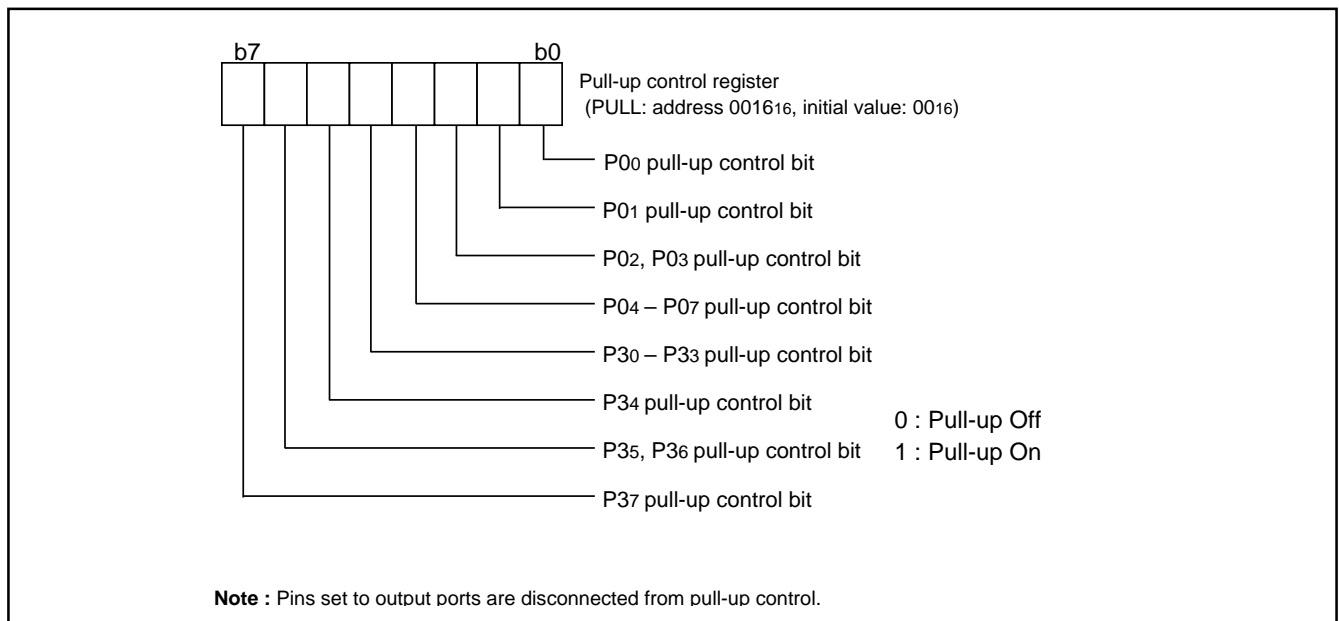


Fig. 15 Structure of pull-up control register

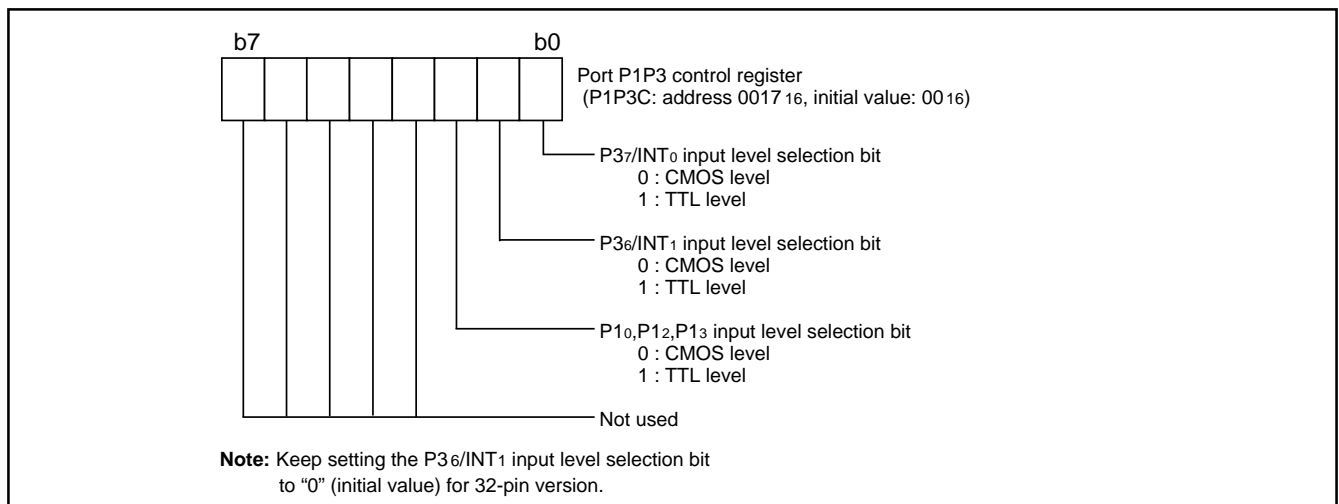


Fig. 16 Structure of port P1P3 control register

Table 5 I/O port function table

Pin	Name	Input/output	I/O format	Non-port function	Related SFRs	Diagram No.
P00/CNTR1 P01/TYOUT P02/TZOUT P03/TXOUT P04–P07	I/O port P0	I/O individual bits	<ul style="list-style-type: none"> •CMOS compatible input level •CMOS 3-state output (Note 1) 	<ul style="list-style-type: none"> Key input interrupt Timer X function output Timer Y function output Timer Z function output Timer A function input 	<ul style="list-style-type: none"> Pull-up control register Timer Y mode register Timer Z mode register Timer X mode register Timer Y,Z waveform output control register Timer A mode register 	<ul style="list-style-type: none"> (1) (2) (3) (4)
P10/RxD1 P11/TxD1	I/O port P1			Serial I/O1 function input/output	Serial I/O1 control register	(5) (6)
P12/SCLK1/SCLK2 P13/SRDY1/SDATA2				Serial I/O2 function input/output	Serial I/O1 control register Serial I/O2 control register	(7) (8)
P14/CNTR0				Timer X function input/output	Timer X mode register	(9)
P20/AN0– P27/AN7	I/O port P2 (Note 2)			A/D conversion input	A/D control register	(10)
P30–P35	I/O port P3					(11)
P36/INT1 P37/INT0	(Note 3)			External interrupt input	Interrupt edge selection register	(12)

Notes 1: Ports P10, P12, P13, P36, and P37 are CMOS/TTL level.

2: P26/AN6 and P27/AN7 do not exist for the 32-pin version.

3: P35 and P36/INT1 do not exist for the 32-pin version.

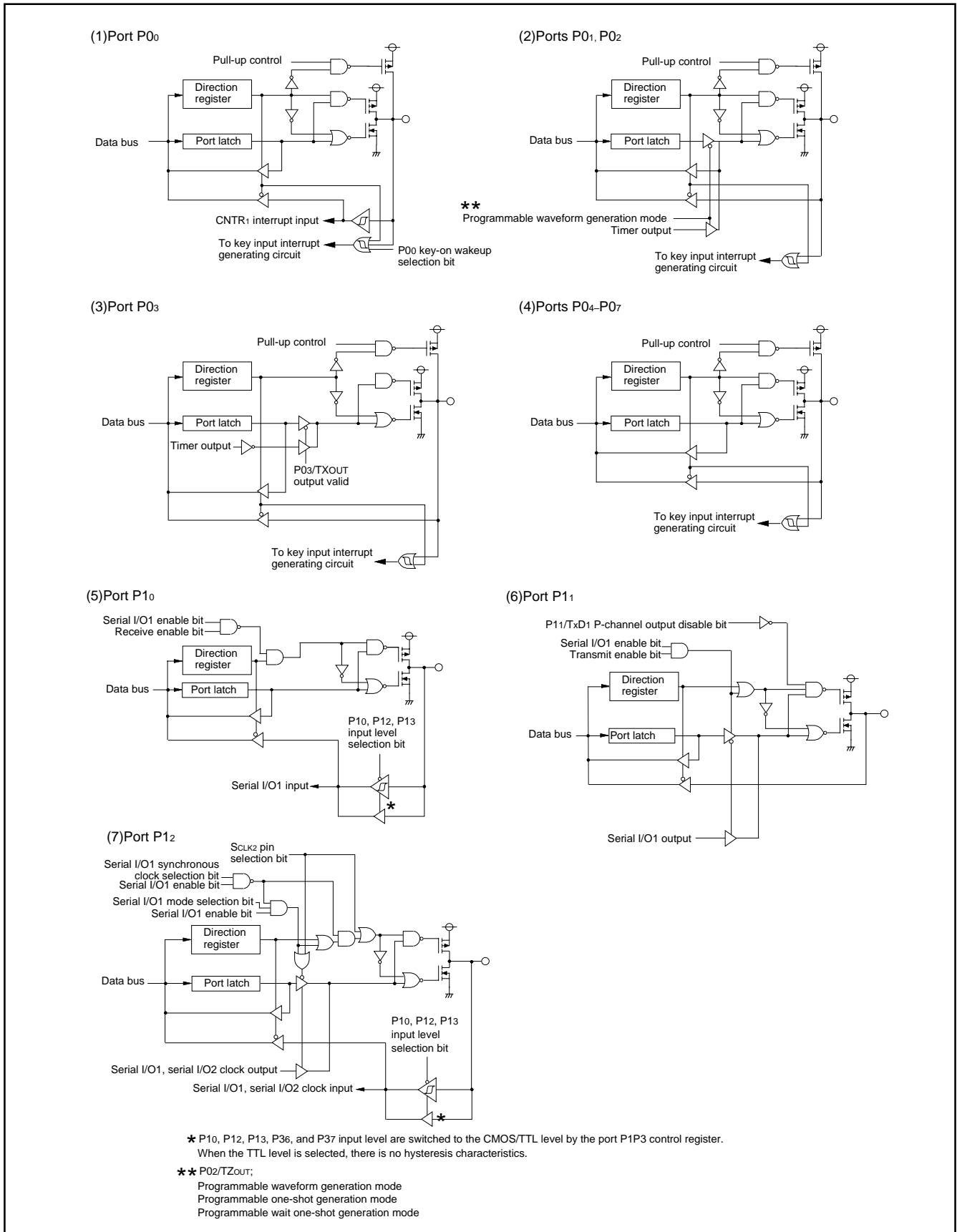


Fig. 17 Block diagram of ports (1)

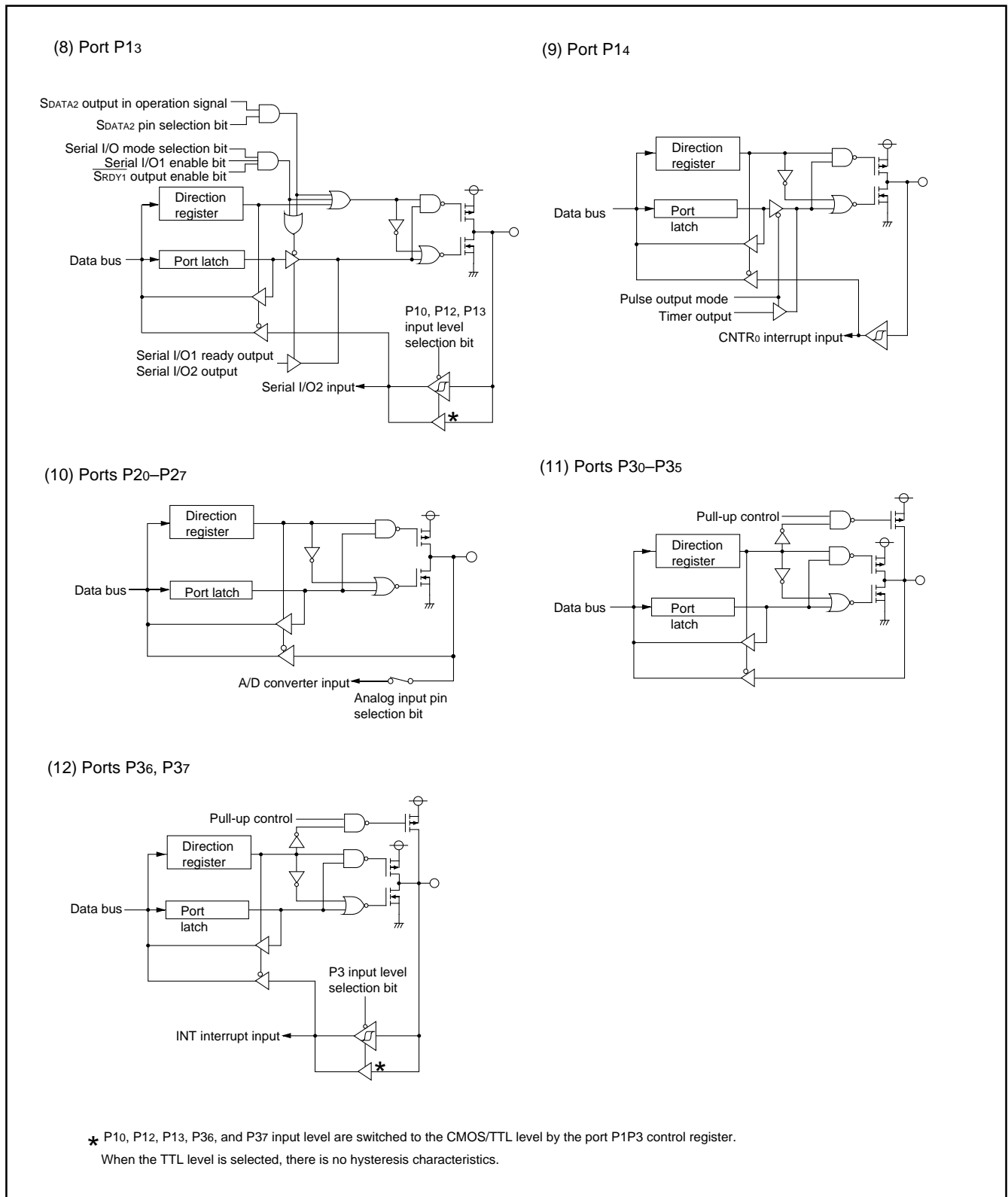


Fig. 18 Block diagram of ports (2)

Interrupts

Interrupts occur by 15 different sources : 5 external sources, 9 internal sources and 1 software source.

Interrupt control

All interrupts except the BRK instruction interrupt have an interrupt request bit and an interrupt enable bit, and they are controlled by the interrupt disable flag. When the interrupt enable bit and the interrupt request bit are set to "1" and the interrupt disable flag is set to "0", an interrupt is accepted.

The interrupt request bit can be cleared by program but not be set. The interrupt enable bit can be set and cleared by program.

The reset and BRK instruction interrupt can never be disabled with any flag or bit. All interrupts except these are disabled when the interrupt disable flag is set.

When several interrupts occur at the same time, the interrupts are received according to priority.

Interrupt operation

Upon acceptance of an interrupt the following operations are automatically performed:

1. The processing being executed is stopped.
2. The contents of the program counter and processor status register are automatically pushed onto the stack.
3. The interrupt disable flag is set and the corresponding interrupt request bit is cleared.
4. Concurrently with the push operation, the interrupt destination address is read from the vector table into the program counter.

■ Notes on use

When setting the followings, the interrupt request bit may be set to "1".

•When setting external interrupt active edge

Related register: Interrupt edge selection register (address 003A16)

Timer X mode register (address 2B16)

Timer A mode register (address 1D16)

When not requiring the interrupt occurrence synchronized with these setting, take the following sequence.

- ① Set the corresponding interrupt enable bit to "0" (disabled).
- ② Set the interrupt edge select bit (active edge switch bit) to "1".
- ③ Set the corresponding interrupt request bit to "0" after 1 or more instructions have been executed.
- ④ Set the corresponding interrupt enable bit to "1" (enabled).

Table 6 Interrupt vector address and priority

Interrupt source	Priority	Vector addresses (Note 1)		Interrupt request generating conditions	Remarks
		High-order	Low-order		
Reset (Note 2)	1	FFFD ₁₆	FFFC ₁₆	At reset input	Non-maskable
Serial I/O1 receive	2	FFFB ₁₆	FFFA ₁₆	At completion of serial I/O1 data receive	Valid only when serial I/O1 is selected
Serial I/O1 transmit	3	FFF9 ₁₆	FFF8 ₁₆	At completion of serial I/O1 transmit shift or when transmit buffer is empty	Valid only when serial I/O1 is selected
INT ₀	4	FFF7 ₁₆	FFF6 ₁₆	At detection of either rising or falling edge of INT ₀ input	External interrupt (active edge selectable)
INT ₁ (Note 3)	5	FFF5 ₁₆	FFF4 ₁₆	At detection of either rising or falling edge of INT ₁ input	External interrupt (active edge selectable)
Key-on wake-up	6	FFF3 ₁₆	FFF2 ₁₆	At falling of conjunction of input logical level for port P0 (at input)	External interrupt (valid at falling)
CNTR ₀	7	FFF1 ₁₆	FFF0 ₁₆	At detection of either rising or falling edge of CNTR ₀ input	External interrupt (active edge selectable)
CNTR ₁	8	FFEF ₁₆	FFEE ₁₆	At detection of either rising or falling edge of CNTR ₁ input	External interrupt (active edge selectable)
Timer X	9	FFED ₁₆	FFEC ₁₆	At timer X underflow	
Timer Y	10	FFEB ₁₆	FFEA ₁₆	At timer Y underflow	
Timer Z	11	FFE9 ₁₆	FFE8 ₁₆	At timer Z underflow	
Timer A	12	FFE7 ₁₆	FFE6 ₁₆	At timer A underflow	
Serial I/O2	13	FFE5 ₁₆	FFE4 ₁₆	At completion of transmit/receive shift	
A/D conversion	14	FFE3 ₁₆	FFE2 ₁₆	At completion of A/D conversion	
Timer 1	15	FFE1 ₁₆	FFE0 ₁₆	At timer 1 underflow	STP release timer underflow
Reserved area	16	FFDF ₁₆	FFDE ₁₆	Not available	
BRK instruction	17	FFDD ₁₆	FFDC ₁₆	At BRK instruction execution	Non-maskable software interrupt

Note 1: Vector addresses contain internal jump destination addresses.

2: Reset function in the same way as an interrupt with the highest priority.

3: It is an interrupt which can use only for 36 pin version.

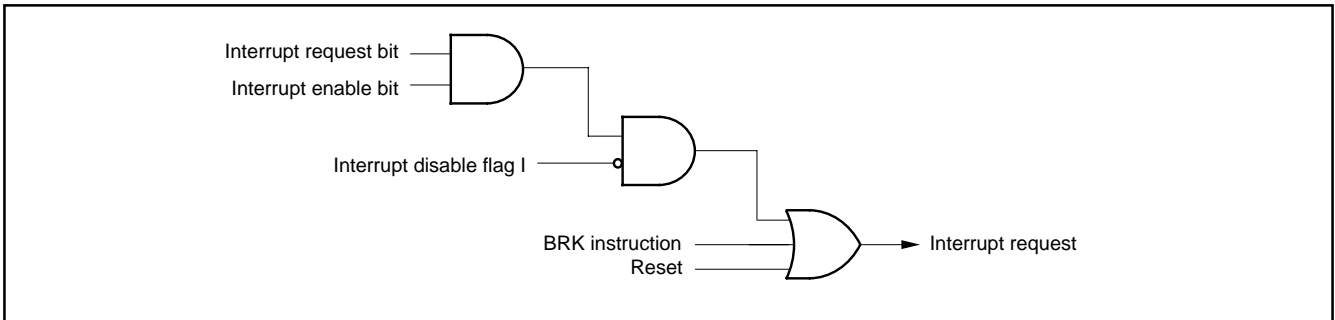


Fig. 19 Interrupt control

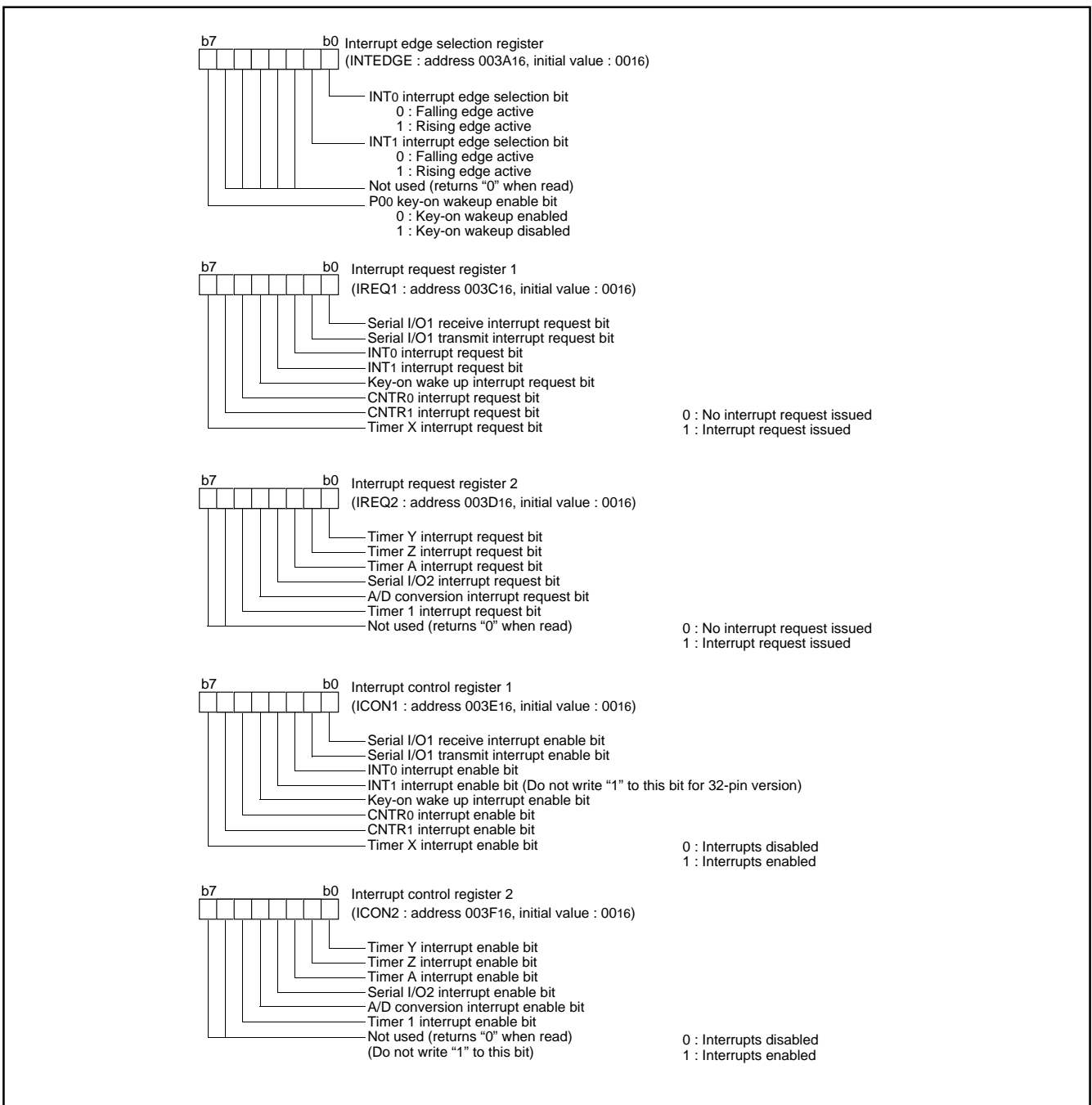


Fig. 20 Structure of Interrupt-related registers

Key Input Interrupt (Key-On Wake-Up)

A key-on wake-up interrupt request is generated by applying “L” level to any pin of port P0 that has been set to input mode.

In other words, it is generated when the AND of input level goes from “1” to “0”. An example of using a key input interrupt is shown in Figure 21, where an interrupt request is generated by pressing one of the keys provided as an active-low key matrix which uses ports P00 to P03 as input ports.

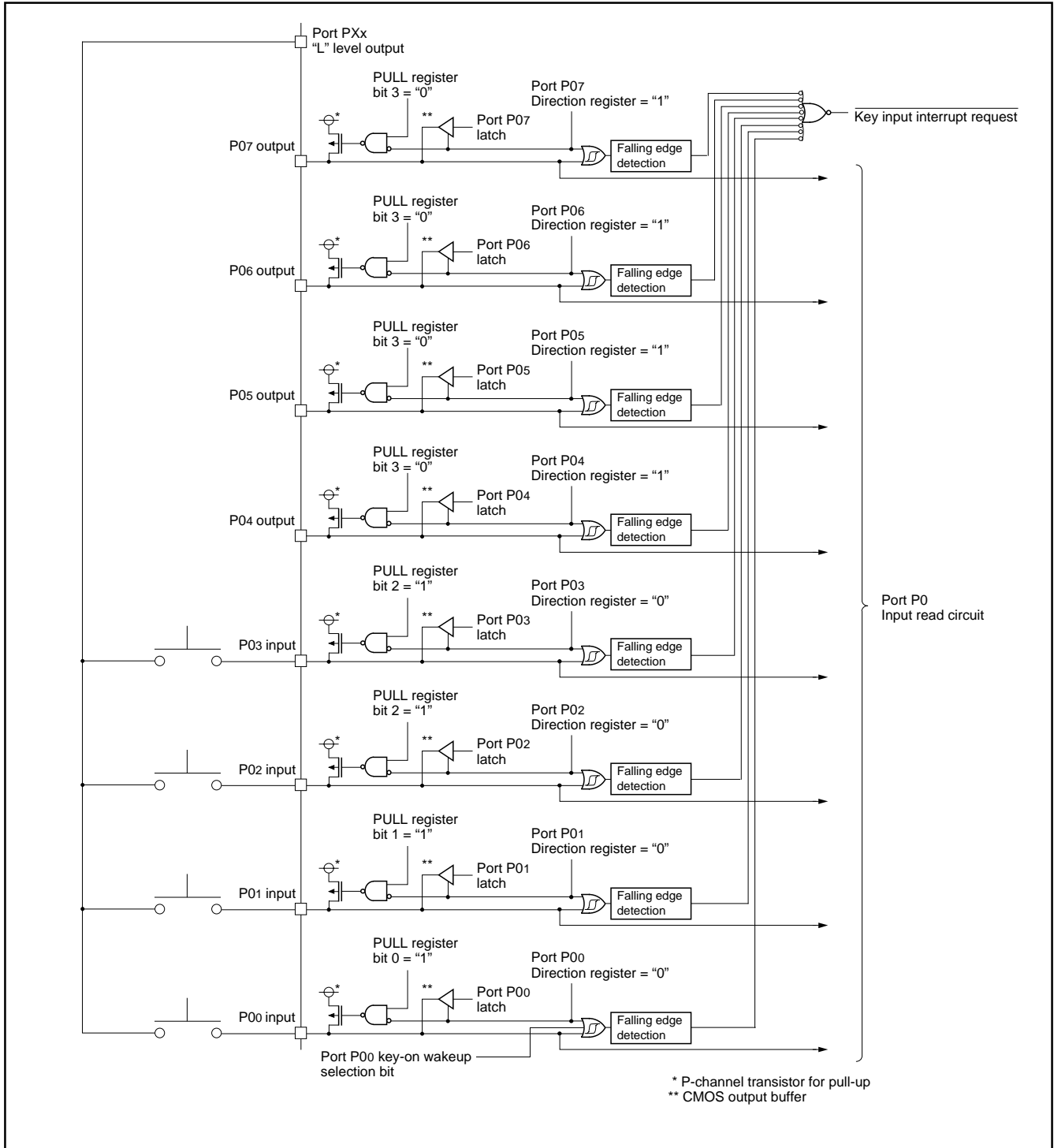


Fig. 21 Connection example when using key input interrupt and port P0 block diagram

Timers

The 7540 Group has 5 timers: timer 1, timer A, timer X, timer Y and timer Z.

The division ratio of every timer and prescaler is $1/(n+1)$ provided that the value of the timer latch or prescaler is n .

All the timers are down count timers. When a timer reaches "0", an underflow occurs at the next count pulse, and the corresponding timer latch is reloaded into the timer. When a timer underflows, the interrupt request bit corresponding to each timer is set to "1".

●Timer 1

Timer 1 is an 8-bit timer and counts the prescaler output.

When Timer 1 underflows, the timer 1 interrupt request bit is set to "1".

Prescaler 1 is an 8-bit prescaler and counts the signal which is the oscillation frequency divided by 16.

Prescaler 1 and Timer 1 have the prescaler 1 latch and the timer 1 latch to retain the reload value, respectively. The value of prescaler 1 latch is set to Prescaler 1 when Prescaler 1 underflows. The value of timer 1 latch is set to Timer 1 when Timer 1 underflows.

When writing to Prescaler 1 (PRE1) is executed, the value is written to both the prescaler 1 latch and Prescaler 1.

When writing to Timer 1 (T1) is executed, the value is written to both the timer 1 latch and Timer 1.

When reading from Prescaler 1 (PRE1) and Timer 1 (T1) is executed, each count value is read out.

Timer 1 always operates in the timer mode.

Prescaler 1 counts the signal which is the oscillation frequency divided by 16. Each time the count clock is input, the contents of Prescaler 1 is decremented by 1. When the contents of Prescaler 1 reach "00₁₆", an underflow occurs at the next count clock, and the prescaler 1 latch is reloaded into Prescaler 1 and count continues. The division ratio of Prescaler 1 is $1/(n+1)$ provided that the value of Prescaler 1 is n .

The contents of Timer 1 is decremented by 1 each time the underflow signal of Prescaler 1 is input. When the contents of Timer 1 reach "00₁₆", an underflow occurs at the next count clock, and the timer 1 latch is reloaded into Timer 1 and count continues. The division ratio of Timer 1 is $1/(m+1)$ provided that the value of Timer 1 is m . Accordingly, the division ratio of Prescaler 1 and Timer 1 is $1/((n+1) \times (m+1))$ provided that the value of Prescaler 1 is n and the value of Timer 1 is m .

Timer 1 cannot stop counting by software.

●Timer A

Timer A is a 16-bit timer and counts the signal which is the oscillation frequency divided by 16. When Timer A underflows, the timer A interrupt request bit is set to "1".

Timer A consists of the low-order of Timer A (TAL) and the high-order of Timer A (TAH).

Timer A has the timer A latch to retain the reload value. The value of timer A latch is set to Timer A at the timing shown below.

- When Timer A underflows.
- When an active edge is input from CNTR₁ pin (valid only when period measurement mode and pulse width HL continuously measurement mode).

When writing to both the low-order of Timer A (TAL) and the high-order of Timer A (TAH) is executed, the value is written to both the timer A latch and Timer A.

When reading from the low-order of Timer A (TAL) and the high-order of Timer A (TAH) is executed, the following values are read out according to the operating mode.

- In timer mode, event counter mode:
The count value of Timer A is read out.
- In period measurement mode, pulse width HL continuously measurement mode:
The measured value is read out.

Be sure to write to/read out the low-order of Timer A (TAL) and the high-order of Timer A (TAH) in the following order;

Read

Read the high-order of Timer A (TAH) first, and the low-order of Timer A (TAL) next and be sure to read out both TAH and TAL.

Write

Write to the low-order of Timer A (TAL) first, and the high-order of Timer A (TAH) next and be sure to write to both TAL and TAH.

Timer A can be selected in one of 4 operating modes by setting the timer A mode register.

(1) Timer mode

Timer A counts the oscillation frequency divided by 16. Each time the count clock is input, the contents of Timer A is decremented by 1. When the contents of Timer A reach "0000₁₆", an underflow occurs at the next count clock, and the timer A latch is reloaded into Timer A. The division ratio of Timer A is $1/(n+1)$ provided that the value of Timer A is n .

(2) Period measurement mode

In the period measurement mode, the pulse period input from the P0₀/CNTR₁ pin is measured.

CNTR₁ interrupt request is generated at rising/falling edge of CNTR₁ pin input signal. Simultaneously, the value in the timer A latch is reloaded into Timer A and count continues. The active edge of CNTR₁ pin input signal can be selected from rising or falling by the CNTR₁ active edge switch bit. The count value when trigger input from CNTR₁ pin is accepted is retained until Timer A is read once.

(3) Event counter mode

Timer A counts signals input from the P00/CNTR1 pin.

Except for this, the operation in event counter mode is the same as in timer mode.

The active edge of CNTR1 pin input signal can be selected from rising or falling by the CNTR1 active edge switch bit .

(4) Pulse width HL continuously measurement mode

In the pulse width HL continuously measurement mode, the pulse width (“H” and “L” levels) input to the P00/CNTR1 pin is measured. CNTR1 interrupt request is generated at both rising and falling edges of CNTR1 pin input signal. Except for this, the operation in pulse width HL continuously measurement mode is the same as in period measurement mode.

The count value when trigger input from the CNTR1 pin is accepted is retained until Timer A is read once.

Timer A can stop counting by setting “1” to the timer A count stop bit in any mode.

Also, when Timer A underflows, the timer A interrupt request bit is set to “1”.

Note on Timer A is described below;

■ Note on Timer A

CNTR1 interrupt active edge selection

CNTR1 interrupt active edge depends on the CNTR1 active edge switch bit.

When this bit is “0”, the CNTR1 interrupt request bit is set to “1” at the falling edge of the CNTR1 pin input signal. When this bit is “1”, the CNTR1 interrupt request bit is set to “1” at the rising edge of the CNTR1 pin input signal.

However, in the pulse width HL continuously measurement mode, CNTR1 interrupt request is generated at both rising and falling edges of CNTR1 pin input signal regardless of the setting of CNTR1 active edge switch bit.

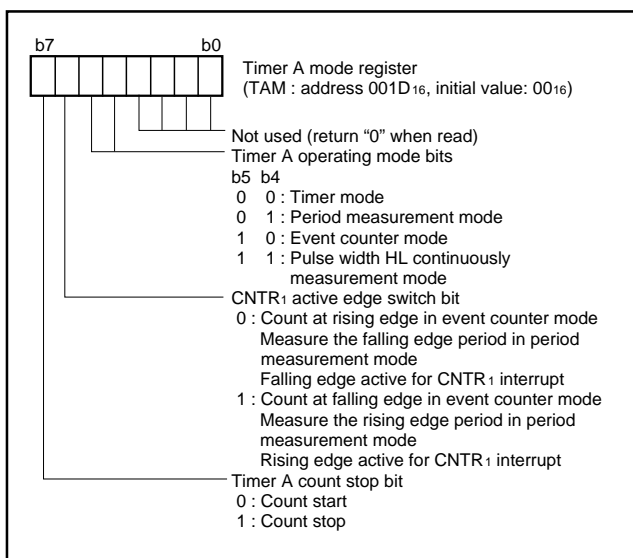


Fig. 22 Structure of timer A mode register

●Timer X

Timer X is an 8-bit timer and counts the prescaler X output.

When Timer X underflows, the timer X interrupt request bit is set to “1”.

Prescaler X is an 8-bit prescaler and counts the signal selected by the timer X count source selection bit.

Prescaler X and Timer X have the prescaler X latch and the timer X latch to retain the reload value, respectively. The value of prescaler X latch is set to Prescaler X when Prescaler X underflows. The value of timer X latch is set to Timer X when Timer X underflows.

When writing to Prescaler X (PREX) is executed, the value is written to both the prescaler X latch and Prescaler X.

When writing to Timer X (TX) is executed, the value is written to both the timer X latch and Timer X.

When reading from Prescaler X (PREX) and Timer X (TX) is executed, each count value is read out.

Timer X can be selected in one of 4 operating modes by setting the timer X operating mode bits of the timer X mode register.

(1) Timer mode

Prescaler X counts the count source selected by the timer X count source selection bits. Each time the count clock is input, the contents of Prescaler X is decremented by 1. When the contents of Prescaler X reach “00₁₆”, an underflow occurs at the next count clock, and the prescaler X latch is reloaded into Prescaler X and count continues. The division ratio of Prescaler X is 1/(n+1) provided that the value of Prescaler X is n.

The contents of Timer X is decremented by 1 each time the underflow signal of Prescaler X is input. When the contents of Timer X reach “00₁₆”, an underflow occurs at the next count clock, and the timer X latch is reloaded into Timer X and count continues. The division ratio of Timer X is 1/(m+1) provided that the value of Timer X is m. Accordingly, the division ratio of Prescaler X and Timer X is 1/((n+1)X(m+1)) provided that the value of Prescaler X is n and the value of Timer X is m.

(2) Pulse output mode

In the pulse output mode, the waveform whose polarity is inverted each time timer X underflows is output from the CNTR0 pin.

The output level of CNTR0 pin can be selected by the CNTR0 active edge switch bit. When the CNTR0 active edge switch bit is “0”, the output of CNTR0 pin is started at “H” level. When this bit is “1”, the output is started at “L” level.

Also, the inverted waveform of pulse output from CNTR0 pin can be output from TXOUT pin by setting “1” to the P03/TXOUT output valid bit.

When using a timer in this mode, set the port P14 and P03 direction registers to output mode.

(3) Event counter mode

The timer A counts signals input from the P14/CNTR0 pin.

Except for this, the operation in event counter mode is the same as in timer mode.

The active edge of CNTR0 pin input signal can be selected from rising or falling by the CNTR0 active edge switch bit .

(4) Pulse width measurement mode

In the pulse width measurement mode, the pulse width of the signal input to P14/CNTR0 pin is measured.

The operation of Timer X can be controlled by the level of the signal input from the CNTR0 pin.

When the CNTR0 active edge switch bit is "0", the signal selected by the timer X count source selection bit is counted while the input signal level of CNTR0 pin is "H". The count is stopped while the pin is "L". Also, when the CNTR0 active edge switch bit is "1", the signal selected by the timer X count source selection bit is counted while the input signal level of CNTR0 pin is "L". The count is stopped while the pin is "H".

Timer X can stop counting by setting "1" to the timer X count stop bit in any mode.

Also, when Timer X underflows, the timer X interrupt request bit is set to "1".

Note on Timer X is described below;

■ Note on Timer X

CNTR0 interrupt active edge selection

CNTR0 interrupt active edge depends on the CNTR0 active edge switch bit.

When this bit is "0", the CNTR0 interrupt request bit is set to "1" at the falling edge of CNTR0 pin input signal. When this bit is "1", the CNTR0 interrupt request bit is set to "1" at the rising edge of CNTR0 pin input signal.

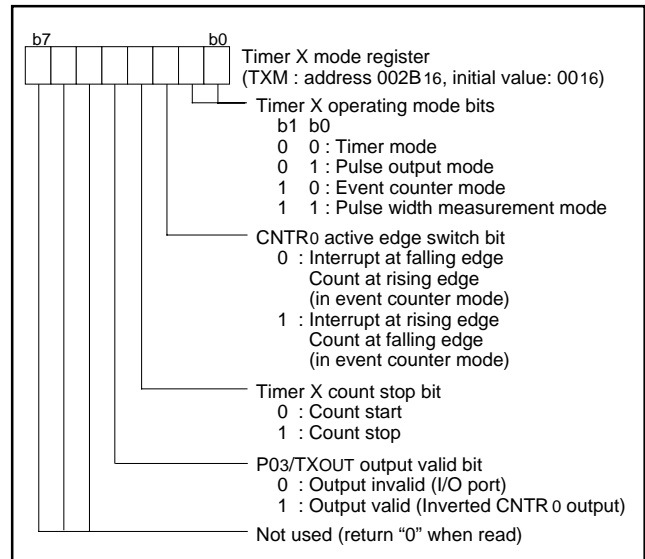


Fig. 23 Structure of timer X mode register

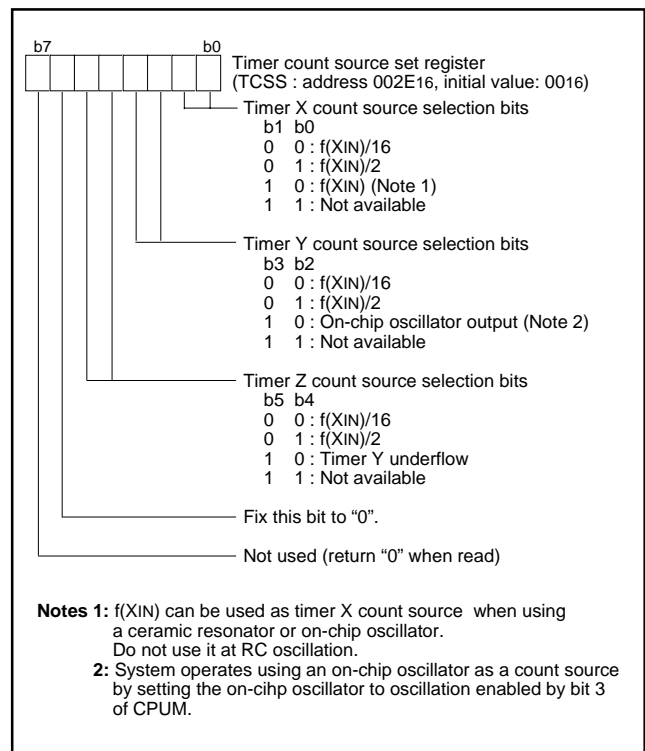


Fig. 24 Timer count source set register

●Timer Y

Timer Y is an 8-bit timer and counts the prescaler Y output. When Timer Y underflows, the timer Y interrupt request bit is set to "1".

Prescaler Y is an 8-bit prescaler and counts the signal selected by the timer Y count source selection bit.

Prescaler Y has the prescaler Y latch to retain the reload value. Timer Y has the timer Y primary latch and timer Y secondary latch to retain the reload value.

The value of prescaler Y latch is set to Prescaler Y when Prescaler Y underflows. The value of timer Y primary latch or timer Y secondary latch are set to Timer Y when Timer Y underflows.

As for the value to transfer to Timer Y, either of timer Y primary or timer Y secondary is selected depending on the timer Y operating mode.

When writing to Prescaler Y (PREY), timer Y primary (TYP) or timer Y secondary (TYS) is executed, writing to "latch only" or "latch and prescaler (timer)" can be selected by the setting value of the timer Y write control bit. Be sure to set the timer Y write control bit because there are some notes according to the operating mode.

When reading from Prescaler Y (PREY) is executed, the count value of Prescaler Y is read out. When reading from timer Y primary (TYP) is executed, the count value of Timer Y is read out. The count value of Timer Y can be read out by reading from the timer Y primary (TYP) even when the value of timer Y primary latch or timer Y secondary latch is counted. When reading the timer Y secondary (TYS) is executed, the undefined value is read out.

Timer Y can be selected in one of 2 operating modes by setting the timer Y operating mode bits of the timer Y, Z mode register.

(1) Timer mode

Prescaler Y counts the count source selected by the timer Y count source selection bits. Each time the count clock is input, the contents of Prescaler Y is decremented by 1. When the contents of Prescaler Y reach "0016", an underflow occurs at the next count clock, and the prescaler Y latch is reloaded into Prescaler Y. The division ratio of Prescaler Y is $1/(n+1)$ provided that the value of Prescaler Y is n.

The contents of Timer Y is decremented by 1 each time the underflow signal of Prescaler Y is input. When the contents of Timer Y reach "0016", an underflow occurs at the next count clock, and the timer Y primary latch is reloaded into Timer Y and count continues. (In the timer mode, the contents of timer Y primary latch is counted. Timer Y secondary latch is not used in this mode.)

The division ratio of Timer Y is $1/(m+1)$ provided that the value of Timer Y is m. Accordingly, the division ratio of Prescaler Y and Timer Y is $1/((n+1) \times (m+1))$ provided that the value of Prescaler Y is n and the value of Timer Y is m.

In the timer mode, writing to "latch only" or "latches and Prescaler Y and timer Y primary" can be selected by the setting value of the timer Y write control bit.

(2) Programmable waveform generation mode

In the programmable waveform generation mode, timer counts the setting value of timer Y primary and the setting value of timer Y secondary alternately, the waveform inverted each time Timer Y underflows is output from TYOUT pin.

When using this mode, be sure to set "1" to the timer Y write control bit to select "write to latch only". Also, set the port P01 direction registers to output mode.

The active edge of output waveform is set by the timer Y output level latch (b5) of the timer Y, Z waveform output control register (PUM). When "0" is set to b5 of PUM, "H" interval by the setting value of TYP or "L" interval by the setting value of TYS is output alternately. When "1" is set to b5 of PUM, "L" interval by the setting value of TYP or "H" interval by the setting value of TYS is output alternately.

Also, in this mode, the primary interval and the secondary interval of the output waveform can be extended respectively for 0.5 cycle of timer count source clock by setting the timer Y primary waveform extension control bit (b2) and the timer Y secondary waveform extension control bit (b3) of PUM to "1". As a result, the waveforms of more accurate resolution can be output.

When b2 and b3 of PUM are used, the frequency and duty of the output waveform are as follows;

Waveform frequency:

$$FYOUT = \frac{2XTMYCL}{2X(TYP+1)+2X(TYS+1)+(EXPYP+EXPYS)}$$

Duty:

$$DYOUT = \frac{2X(TYP+1)+EXPYP}{(2X(TYP+1)+EXPYP)+(2X(TYS+1)+EXPYS)}$$

TMYCL: Timer Y count source (frequency)

TYP: Timer Y primary (8bit)

TYS: Timer Y secondary (8bit)

EXPYP: Timer Y primary waveform extension control bit (1bit)

EXPYS: Timer Y secondary waveform extension control bit (1bit)

In the programmable waveform generation mode, when values of the TYP, TYS, EXPYP and EXPYS are changed, the output waveform is changed at the beginning (timer Y primary waveform interval) of waveform period.

When the count values are changed, set values to the TYS, EXPYP and EXPYS first. After then, set the value to TYP. The values are set all at once at the beginning of the next waveform period when the value is set to TYP. (When writing at timer stop is executed, writing to TYP at last is required.)

Notes on programmable waveform generation mode is described below;

■ Notes on programmable generation waveform mode**• Count set value**

In the programmable waveform generation mode, values of TYS, EXPYP, and EXPYS are valid by writing to TYP because the setting to them is executed all at once by writing to TYP. Even when changing TYP is not required, write the same value again.

• Write timing to TYP

In the programmable waveform generation mode, when the setting value is changed while the waveform is output, set by software in order not to execute the writing to TYP and the timing of timer underflow during the secondary interval simultaneously.

• Usage of waveform extension function

The waveform extension function by the timer Y waveform extension control bit can be used only when "0016" is set to Prescaler Y. When the value other than "0016" is set to Prescaler Y, be sure to set "0" to EXPYP and EXPYS.

• Timer Y write mode

When using this mode, be sure to set "1" to the timer Y write control bit to select "write to latch only".

Timer Y can stop counting by setting "1" to the timer Y count stop bit in any mode.

Also, when Timer Y underflows, the timer Y interrupt request bit is set to "1".

Timer Y reloads the value of latch when counting is stopped by the timer Y count stop bit. (When timer is read out while timer is stopped, the value of latch is read. The value of timer can be read out only while timer is operating.)

●Timer Z

Timer Z is an 8-bit timer and counts the prescaler Z output. When Timer Z underflows, the timer Z interrupt request bit is set to "1".

Prescaler Z is an 8-bit prescaler and counts the signal selected by the timer Z count source selection bit.

Prescaler Z has the prescaler Z latch to retain the reload value. Timer Z has the timer Z primary latch and timer Z secondary latch to retain the reload value.

The value of prescaler Z latch is set to Prescaler Z when Prescaler Z underflows. The value of timer Z primary latch or timer Z secondary latch are set to Timer Z when Timer Z underflows.

As for the value to transfer to Timer Z, either of timer Z primary or timer Z secondary is selected depending on the timer Z operating mode.

When writing to Prescaler Z (PREZ), timer Z primary (TZP) or timer Z secondary (TZS) is executed, writing to "latch only" or "latches and Prescaler Z and Timer Z" can be selected by the setting value of the timer Z write control bit. Be sure to set the write control bit because there are some notes according to the operating mode.

When reading from Prescaler Z (PREZ) is executed, the count value of Prescaler Z is read out. When reading from timer Z primary (TZP) is executed, the count value of Timer Z is read out. The count value of Timer Z can be read out by reading from the timer Z primary (TZP) even when the value of timer Z primary latch or timer Z secondary latch is counted. When reading the timer Z secondary (TZS) is executed, the undefined value is read out.

Timer Z can be selected in one of 4 operating modes by setting the timer Z operating mode bits of the timer Y, Z mode register.

(1) Timer mode

Prescaler Z counts the count source selected by the timer Z count source selection bits. Each time the count clock is input, the contents of Prescaler Z is decremented by 1. When the contents of Prescaler Z reach "0016", an underflow occurs at the next count clock, and the prescaler Z latch is reloaded into Prescaler Z. The division ratio of Prescaler Z is $1/(n+1)$ provided that the value of Prescaler Z is n.

The contents of Timer Z is decremented by 1 each time the underflow signal of Prescaler Z is input. When the contents of Timer Z reach "0016", an underflow occurs at the next count clock, and the timer Z primary latch is reloaded into Timer Z and count continues. (In the timer mode, the contents of timer Z primary latch is counted. Timer Z secondary latch is not used in this mode.)

The division ratio of Timer Z is $1/(m+1)$ provided that the value of Timer Z is m. Accordingly, the division ratio of Prescaler Z and Timer Z is $1/((n+1) \times (m+1))$ provided that the value of Prescaler Z is n and the value of Timer Z is m.

In the timer mode, writing to "latch only" or "latches and Prescaler Z and timer Z primary" can be selected by the setting value of the timer Z write control bit.

(2) Programmable waveform generation mode

In the programmable waveform generation mode, timer counts the setting value of timer Z primary and the setting value of timer Z secondary alternately, the waveform inverted each time Timer Z underflows is output from TZOUT pin.

When using this mode, be sure to set "1" to the timer Z write control bit to select "write to latch only". Also, set the port P02 direction registers to output mode.

The active edge of output waveform is set by the timer Z output level latch (b4) of the timer Y, Z waveform output control register (PUM). When "0" is set to b4 of PUM, "H" interval by the setting value of TZP or "L" interval by the setting value of TZS is output alternately. When "1" is set to b4 of PUM, "L" interval by the setting value of TZP or "H" interval by the setting value of TZS is output alternately.

Also, in this mode, the primary interval and the secondary interval of the output waveform can be extended respectively for 0.5 cycle of timer count source clock by setting the timer Z primary waveform extension control bit (b0) and the timer Z secondary waveform extension control bit (b1) of PUM to "1". As a result, the waveforms of more accurate resolution can be output.

When b0 and b1 of PUM are used, the frequency and duty of the output waveform are as follows;

Waveform frequency:

$$FZOUT = \frac{2 \times TMZCL}{2 \times (TZP+1) + 2 \times (TZS+1) + (EXPZP+EXPZS)}$$

Duty:

$$DZOUT = \frac{2 \times (TZP+1) + EXPZP}{(2 \times (TZP+1) + EXPZP) + (2 \times (TZS+1) + EXPZS)}$$

TMZCL: Timer Z count source (frequency)

TZP: Timer Z primary (8bit)

TZS: Timer Z secondary (8bit)

EXPZP: Timer Z primary waveform extension control bit (1bit)

EXPZS: Timer Z secondary waveform extension control bit (1bit)

In the programmable waveform generation mode, when values of the TZP, TZS, EXPZP and EXPZS are changed, the output waveform is changed at the beginning (timer Z primary waveform interval) of waveform period.

When the count values are changed, set values to the TZS, EXPZP and EXPZS first. After then, set the value to TZP. The values are set all at once at the beginning of the next waveform period when the value is set to TZP. (When writing at timer stop is executed, writing to TZP at last is required.)

Notes on the programmable waveform generation mode are described below;

■ **Notes on programmable waveform generation mode**

• Count set value

In the programmable waveform generation mode, values of TZS, EXPZP, and EXPZS are valid by writing to TZP because the setting to them is executed all at once by writing to TZP. Even when changing TZP is not required, write the same value again.

• Write timing to TZP

In the programmable waveform generation mode, when the setting value is changed while the waveform is output, set by software in order not to execute the writing to TZP and the timing of timer underflow during the secondary interval simultaneously.

• Usage of waveform extension function

The waveform extension function by the timer Z waveform extension control bit can be used only when "0016" is set to Prescaler Z. When the value other than "0016" is set to Prescaler Z, be sure to set "0" to EXPZP and EXPZS. Also, when the timer Y underflow is selected as the count source, the waveform extension function cannot be used.

• Timer Z write mode

When using this mode, be sure to set "1" to the timer Z write control bit to select "write to latch only".

(3) Programmable one-shot generation mode

In the programmable one-shot generation mode, the one-shot pulse by the setting value of timer Z primary can be output from TZOUT pin by software or external trigger. When using this mode, be sure to set "1" to the timer Z write control bit to select "write to latch only". Also, set the port P02 direction registers to output mode. In this mode, TZS is not used.

The active edge of output waveform is set by the timer Z output level latch (b5) of the timer Y, Z waveform output control register (PUM). When "0" is set to b5 of PUM, "H" pulse during the interval of the TZP setting value is output. When "1" is set to b5 of PUM, "L" pulse during the interval of the TZP setting value is output.

Also, in this mode, the interval of the one-shot pulse output can be extended for 0.5 cycle of timer count source clock by setting the timer Z primary waveform extension control bit (b2) of PUM to "1". As a result, the waveforms of more accurate resolution can be output.

In the programmable one-shot generation mode, the trigger by software or the external INT0 pin can be accepted by writing "0" to the timer Z count stop bit after the count value is set. (At the time when "0" is written to the timer Z count stop bit, Timer Z stops.)

By writing "1" to the timer Z one-shot start bit, or by inputting the valid trigger to the INT0 pin after the trigger to the INT0 pin becomes valid by writing "1" to the INT0 pin one-shot trigger control bit, Timer Z starts counting, at the same time, the output of TZOUT pin is inverted. When Timer Z underflows, the output of TZOUT pin is inverted again and Timer Z stops. When also the trigger of INT0 pin is accepted, the contents of the one-shot start bit is changed to "1" by hardware.

The falling or rising can be selected as the edge of the valid trigger of INT0 pin by the INT0 pin one-shot trigger edge selection bit. During the one-shot pulse output interval, the one-shot pulse output can be stopped forcibly by writing "0" to the timer Z one-shot start bit.

In the programmable one-shot generation mode, when the count values are changed, set value to the EXPZP first. After then, set the value to TZP. The values are set all at once at the beginning of the next one-shot pulse when the value is set to TZP. (When writing at timer stop is executed, writing to TZP at last is required.)

Notes on the programmable one-shot generation mode are described below;

■ **Notes on programmable one-shot generation mode**

• Count set value

In the programmable one-shot generation mode, the value of EXPZP becomes valid by writing to TZP. Even when changing TZP is not required, write the same value again.

• Write timing to TZP

In the programmable one-shot generation mode, when the setting value is changed while the waveform is output, set by software in order not to execute the writing to TZP and the timing of timer underflow simultaneously.

• Usage of waveform extension function

The waveform extension function by the timer Z waveform extension control bit can be used only when "0016" is set to Prescaler Z. When the value other than "0016" is set to Prescaler Z, be sure to set "0" to EXPZP. Also, when the timer Y underflow is selected as the count source, the waveform extension function cannot be used.

• Timer Z write mode

When using this mode, be sure to set "1" to the timer Z write control bit to select "write to latch only".

(4) Programmable wait one-shot generation mode

In the programmable wait one-shot generation mode, the one-shot pulse by the setting value of timer Z secondary can be output from TZOUT pin by software or external trigger to INT0 pin after the wait by the setting value of the timer Z primary. When using this mode, be sure to set "1" to the timer Z write control bit to select "write to latch only". Also, set the port P02 direction registers to output mode.

The active edge of output waveform is set by the timer Z output level latch (b5) of the timer Y, Z waveform output control register (PUM). When "0" is set to b5 of PUM, after the wait during the interval of the TZP setting value, "H" pulse during the interval of the TZS setting value is output. When "1" is set to b5 of PUM, after the wait during the interval of the TZP setting value, "L" pulse during the interval of the TZS setting value is output.

Also, in this mode, the intervals of the wait and the one-shot pulse output can be extended for 0.5 cycle of timer count source clock by setting EXPZP and EXPZS of PUM to "1". As a result, the waveforms of more accurate resolution can be output.

In the programmable one-shot generation mode, the trigger by software or the external INT0 pin can be accepted by writing "0" to the timer Z count stop bit after the count value is set. (At the time when "0" is written to the timer Z count stop bit, Timer Z stops.)

By writing "1" to the timer Z one-shot start bit, or by inputting the valid trigger to the INT0 pin after the trigger to the INT0 pin becomes valid by writing "1" to the INT0 pin one-shot trigger control bit, Timer Z starts counting.

While Timer Z counts the TZP, the initial value of the TZOUT pin output is retained. When Timer Z underflows, the value of TZS is reloaded, at the same time, the output of TZOUT pin is inverted.

When Timer Z underflows, the output of TZOUT pin is inverted again and Timer Z stops. When also the trigger of INT0 pin is accepted, the contents of the one-shot start bit is changed to "1" by hardware.

The falling or rising can be selected as the edge of the valid trigger of INT0 pin by the INT0 pin one-shot trigger edge selection bit. During the wait interval and the one-shot pulse output interval, the one-shot pulse output can be stopped forcibly by writing "0" to the timer Z one-shot start bit.

In the programmable wait one-shot generation mode, when the count values are changed, set values to the TZS, EXPZP and EXPZS first. After then, set the value to TZP. The values are set all at once at the beginning of the next wait interval when the value is set to TZP. (When writing at timer stop is executed, writing to TZP at last is required.)

Notes on the programmable wait one-shot generation mode are described below;

■ Notes on programmable wait one-shot generation mode

- Count set value

In the programmable wait one-shot generation mode, values of TZS, EXPZP and EXPZS are valid by writing to TZP. Even when changing TZP is not required, write the same value again.

- Write timing to TZP

In the programmable wait one-shot generation mode, when the setting value is changed while the waveform is output, set by software in order not to execute the writing to TZP and the timing of timer underflow during the secondary interval simultaneously.

- Usage of waveform extension function

The waveform extension function by the timer Z waveform extension control bit can be used only when "0016" is set to Prescaler Z. When the value other than "0016" is set to Prescaler Z, be sure to set "0" to EXPZP and EXPZS. Also, when the timer Y underflow is selected as the count source, the waveform extension function cannot be used.

- Timer Z write mode

When using this mode, be sure to set "1" to the timer Z write control bit to select "write to latch only".

Timer Z can stop counting by setting "1" to the timer Z count stop bit in any mode.

Also, when Timer Z underflows, the timer Z interrupt request bit is set to "1".

Timer Z reloads the value of latch when counting is stopped by the timer Z count stop bit. (When timer is read out while timer is stopped, the value of latch is read. The value of timer can be read out only while timer is operating.)

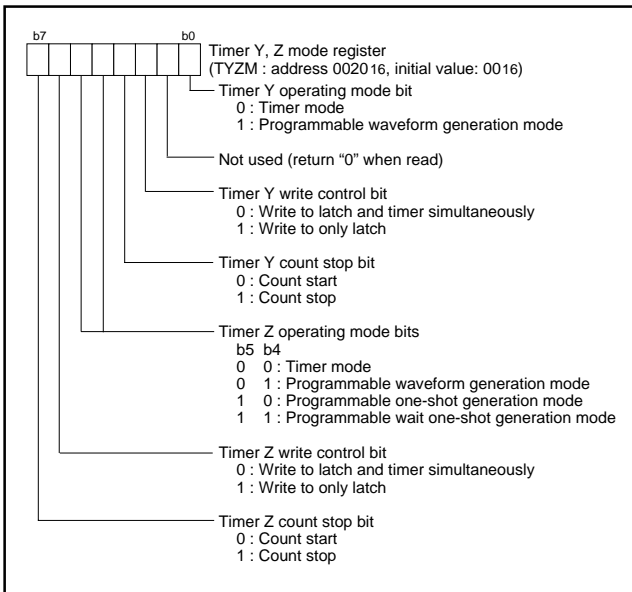


Fig. 25 Structure of timer Y, Z mode register

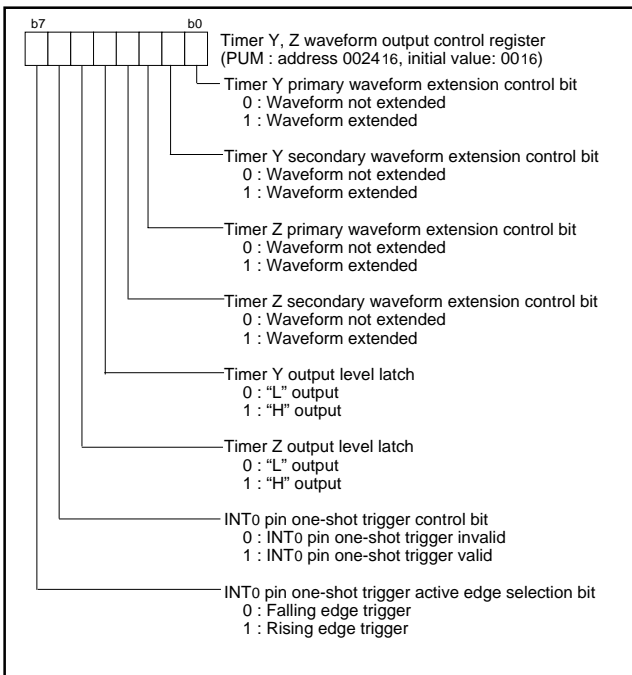


Fig. 26 Structure of timer YZ waveform output control register

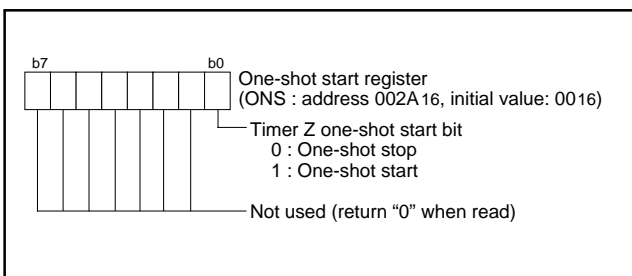


Fig. 27 Structure of one-shot start register

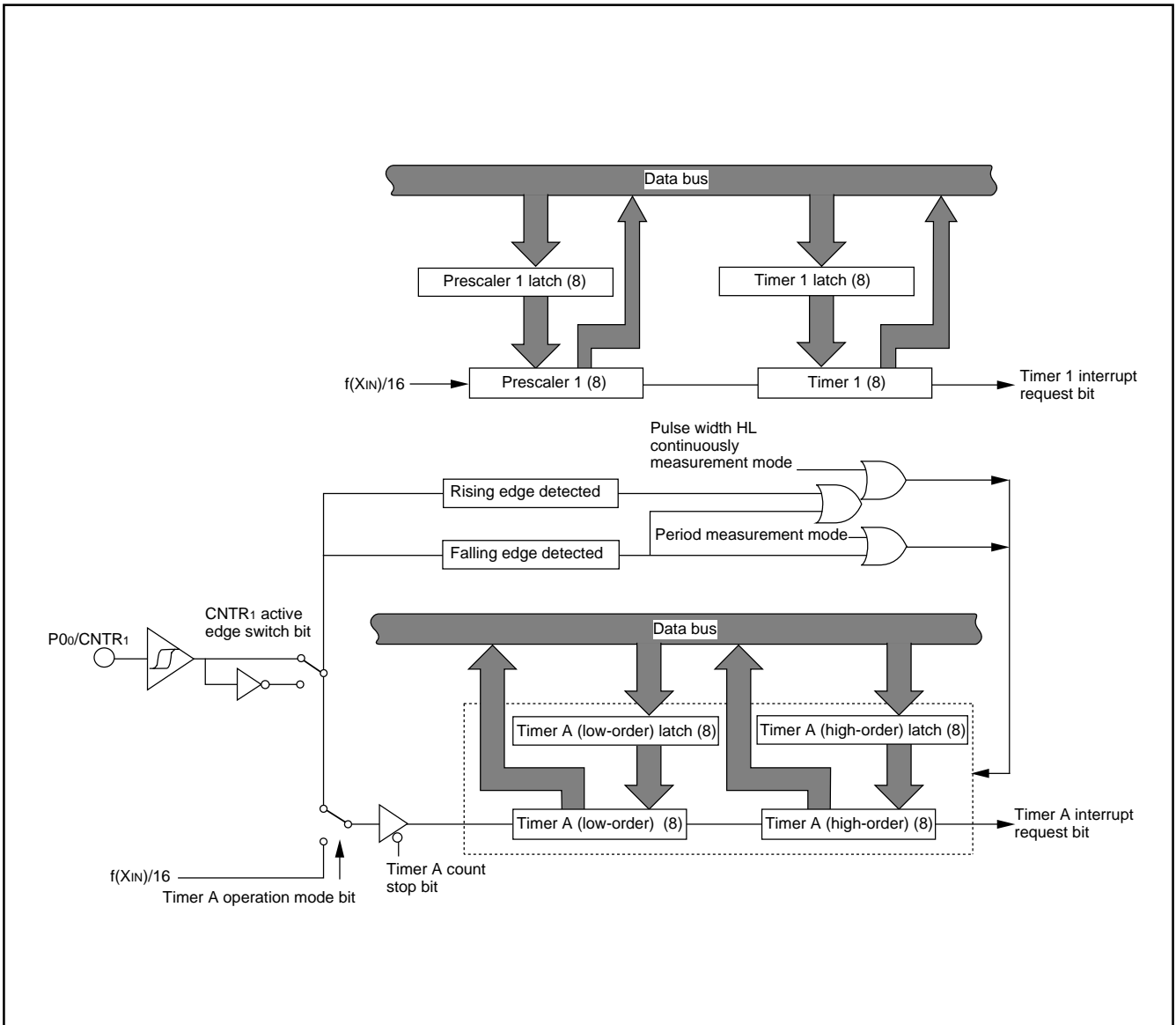


Fig. 28 Block diagram of timer 1 and timer A

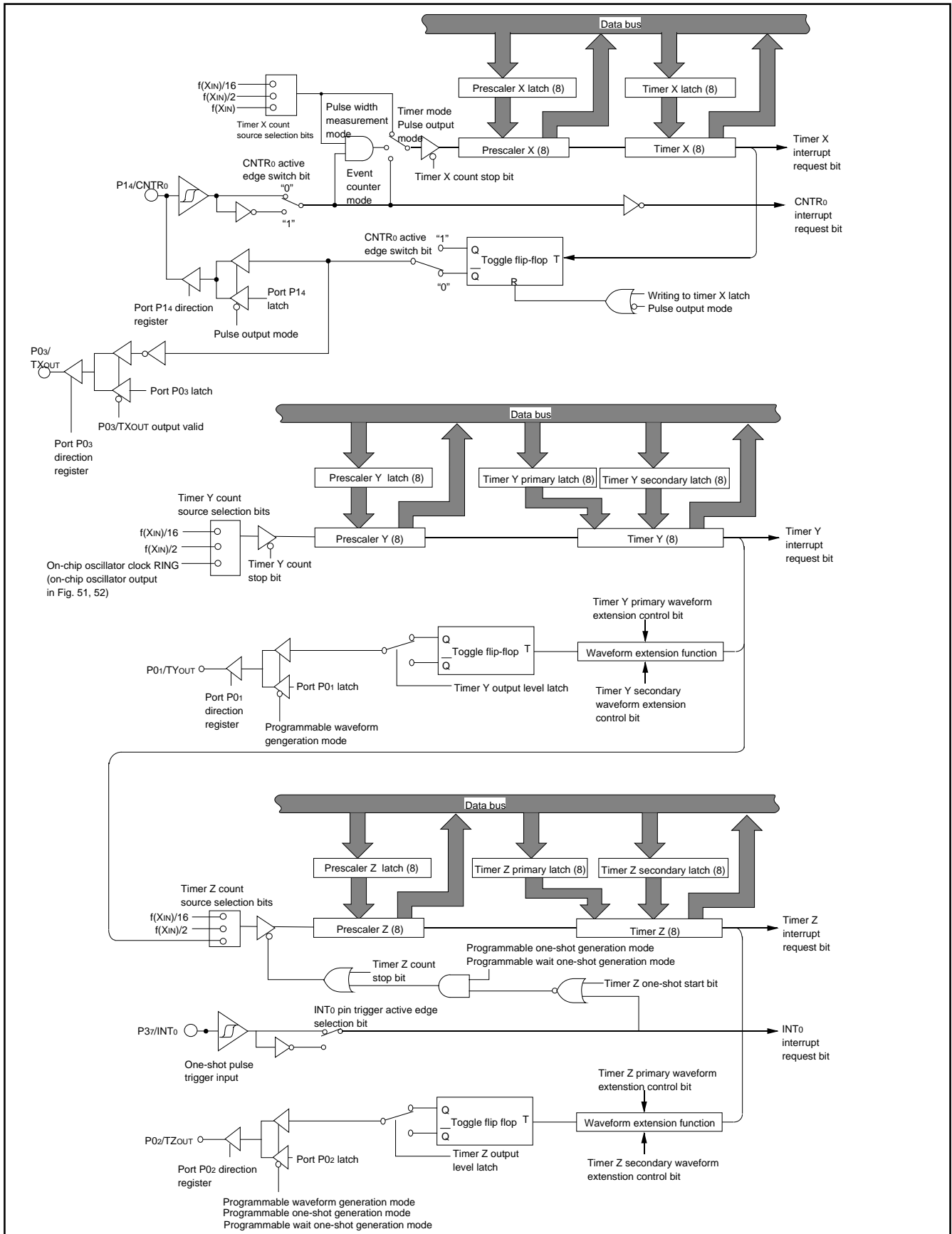


Fig. 29 Block diagram of timer X, timer Y and timer Z

Serial I/O
●Serial I/O1

Serial I/O1 can be used as either clock synchronous or asynchronous (UART) serial I/O. A dedicated timer is also provided for baud rate generation.

(1) Clock Synchronous Serial I/O Mode

Clock synchronous serial I/O1 mode can be selected by setting the serial I/O1 mode selection bit of the serial I/O1 control register (bit 6) to "1".

For clock synchronous serial I/O1, the transmitter and the receiver must use the same clock. If an internal clock is used, transfer is started by a write signal to the TB/RB.

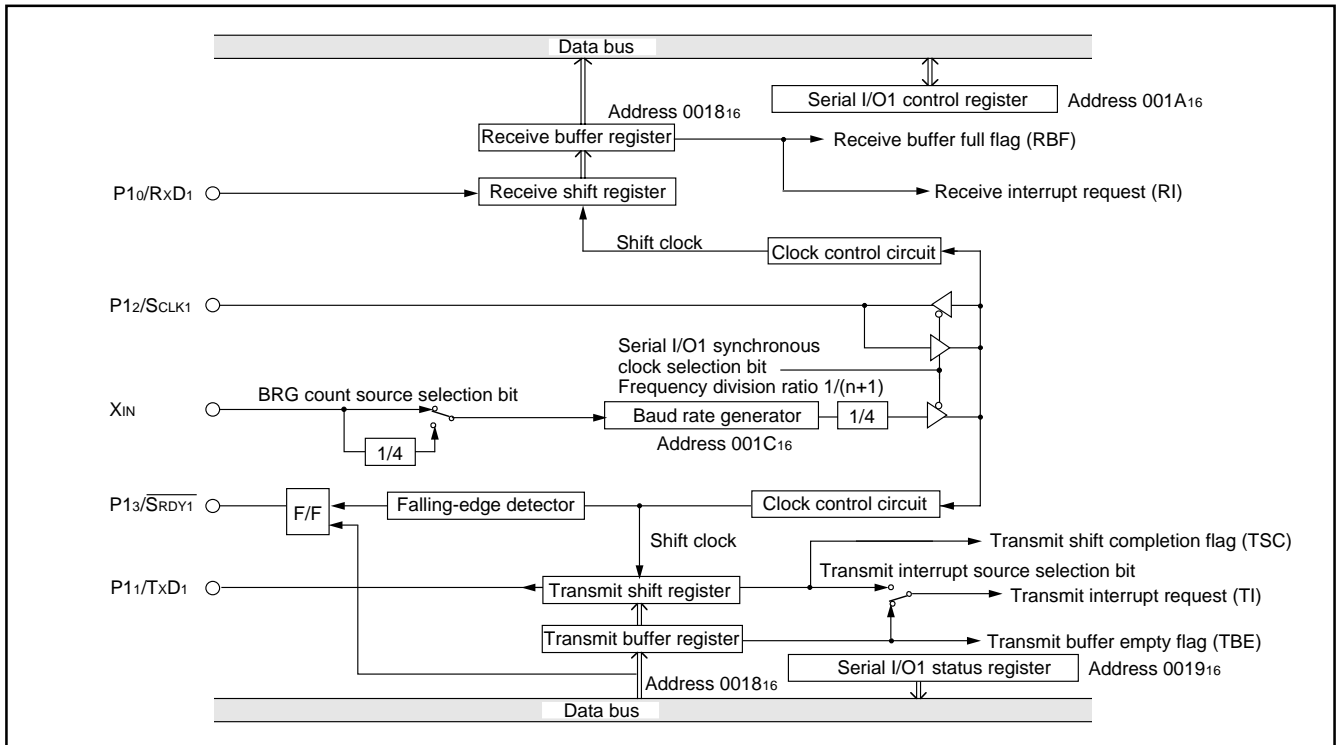


Fig. 30 Block diagram of clock synchronous serial I/O1

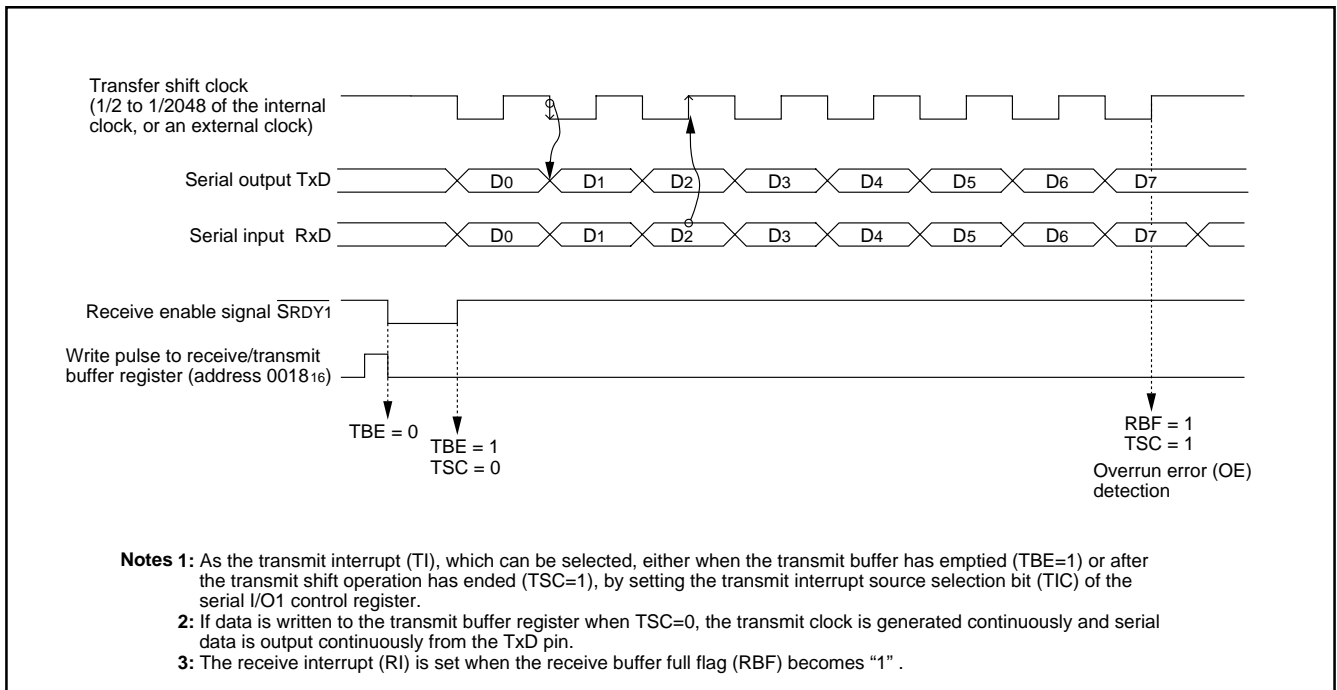


Fig. 31 Operation of clock synchronous serial I/O1 function

(2) Asynchronous Serial I/O (UART) Mode

Clock asynchronous serial I/O mode (UART) can be selected by clearing the serial I/O1 mode selection bit of the serial I/O1 control register to "0".

Eight serial data transfer formats can be selected, and the transfer formats used by a transmitter and receiver must be identical.

The transmit and receive shift registers each have a buffer, but the two buffers have the same address in memory. Since the shift register cannot be written to or read from directly, transmit data is written to the transmit buffer register, and receive data is read from the receive buffer register.

The transmit buffer register can also hold the next data to be transmitted, and the receive buffer register can hold a character while the next character is being received.

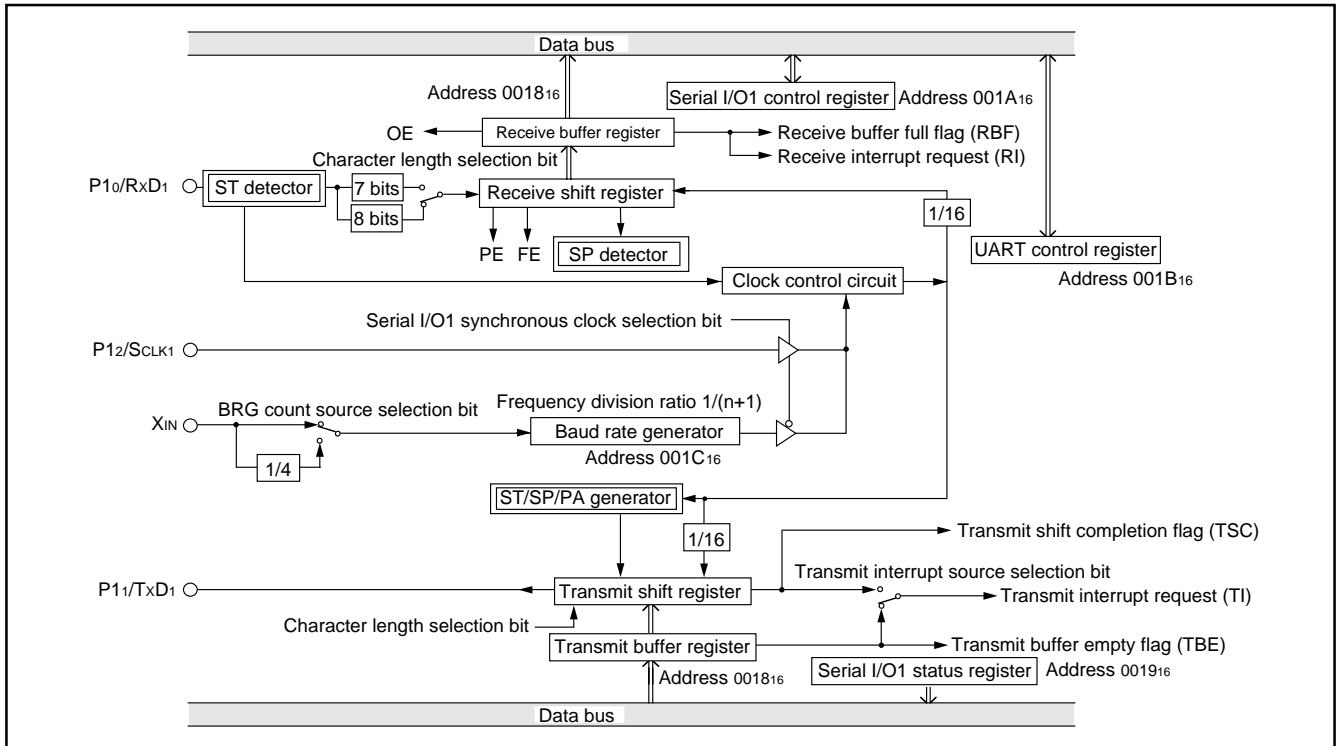


Fig. 32 Block diagram of UART serial I/O1

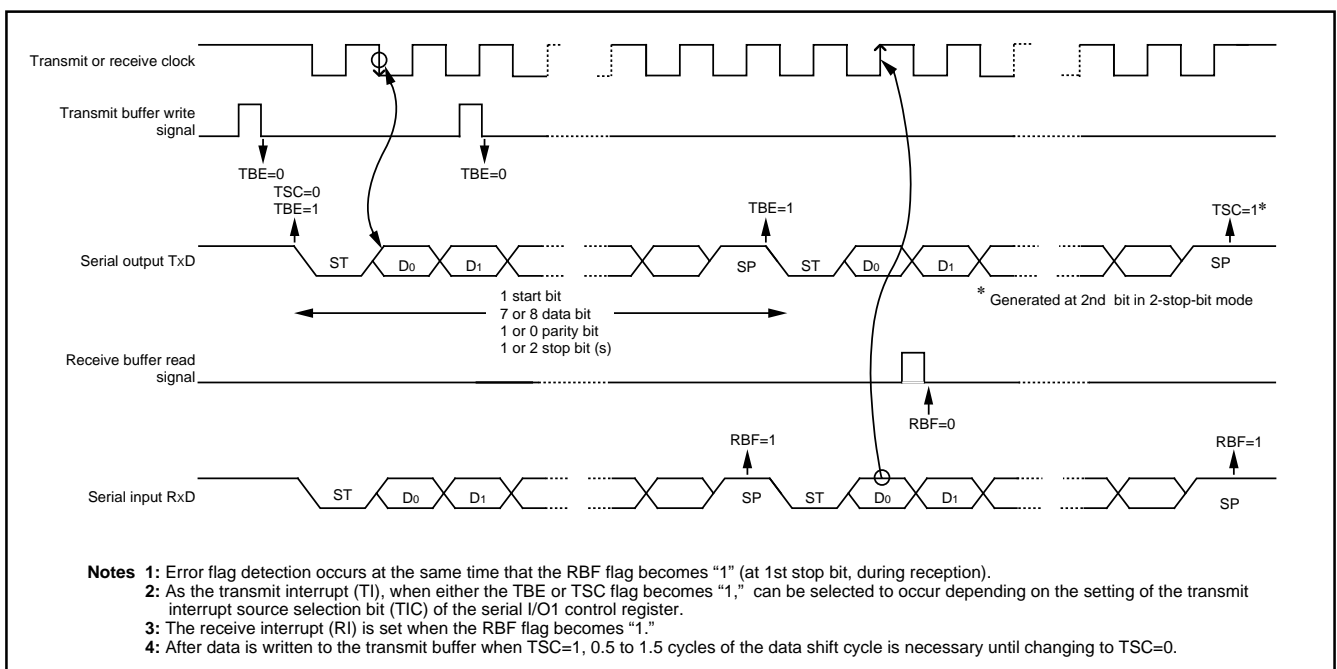


Fig. 33 Operation of UART serial I/O1 function

[Transmit buffer register/receive buffer register (TB/RB)] 001816

The transmit buffer register and the receive buffer register are located at the same address. The transmit buffer is write-only and the receive buffer is read-only. If a character bit length is 7 bits, the MSB of data stored in the receive buffer is "0".

[Serial I/O1 status register (SIO1STS)] 001916

The read-only serial I/O1 status register consists of seven flags (bits 0 to 6) which indicate the operating status of the serial I/O1 function and various errors.

Three of the flags (bits 4 to 6) are valid only in UART mode.

The receive buffer full flag (bit 1) is cleared to "0" when the receive buffer register is read.

If there is an error, it is detected at the same time that data is transferred from the receive shift register to the receive buffer register, and the receive buffer full flag is set. A write to the serial I/O1 status register clears all the error flags OE, PE, FE, and SE (bit 3 to bit 6, respectively). Writing "0" to the serial I/O1 enable bit SIOE (bit 7 of the serial I/O1 control register) also clears all the status flags, including the error flags.

Bits 0 to 6 of the serial I/O1 status register are initialized to "0" at reset, but if the transmit enable bit of the serial I/O1 control register has been set to "1", the transmit shift completion flag (bit 2) and the transmit buffer empty flag (bit 0) become "1".

[Serial I/O1 control register (SIO1CON)] 001A16

The serial I/O1 control register consists of eight control bits for the serial I/O1 function.

[UART control register (UARTCON)] 001B16

The UART control register consists of four control bits (bits 0 to 3) which are valid when asynchronous serial I/O is selected and set the data format of an data transfer and one bit (bit 4) which is always valid and sets the output structure of the P11/TXD1 pin.

[Baud rate generator (BRG)] 001C16

The baud rate generator determines the baud rate for serial transfer. The baud rate generator divides the frequency of the count source by $1/(n + 1)$, where n is the value written to the baud rate generator.

■ Notes on serial I/O**• Serial I/O interrupt**

When setting the transmit enable bit to "1", the serial I/O transmit interrupt request bit is automatically set to "1". When not requiring the interrupt occurrence synchronized with the transmission enabled, take the following sequence.

- ① Set the serial I/O transmit interrupt enable bit to "0" (disabled).
- ② Set the transmit enable bit to "1".
- ③ Set the serial I/O transmit interrupt request bit to "0" after 1 or more instructions have been executed.
- ⑤ Set the serial I/O transmit interrupt enable bit to "1" (enabled).

• I/O pin function when serial I/O1 is enabled.

The functions of P12 and P13 are switched with the setting values of a serial I/O1 mode selection bit and a serial I/O1 synchronous clock selection bit as follows.

(1) Serial I/O1 mode selection bit → "1" :

Clock synchronous type serial I/O is selected.

Setup of a serial I/O1 synchronous clock selection bit

"0" : P12 pin turns into an output pin of a synchronous clock.

"1" : P12 pin turns into an input pin of a synchronous clock.

Setup of a SRDY1 output enable bit (SRDY)

"0" : P13 pin can be used as a normal I/O pin.

"1" : P13 pin turns into a SRDY output pin.

(2) Serial I/O1 mode selection bit → "0" :

Clock asynchronous (UART) type serial I/O is selected.

Setup of a serial I/O1 synchronous clock selection bit

"0" : P12 pin can be used as a normal I/O pin.

"1" : P12 pin turns into an input pin of an external clock.

When clock asynchronous (UART) type serial I/O is selected, it is P13 pin. It can be used as a normal I/O pin.

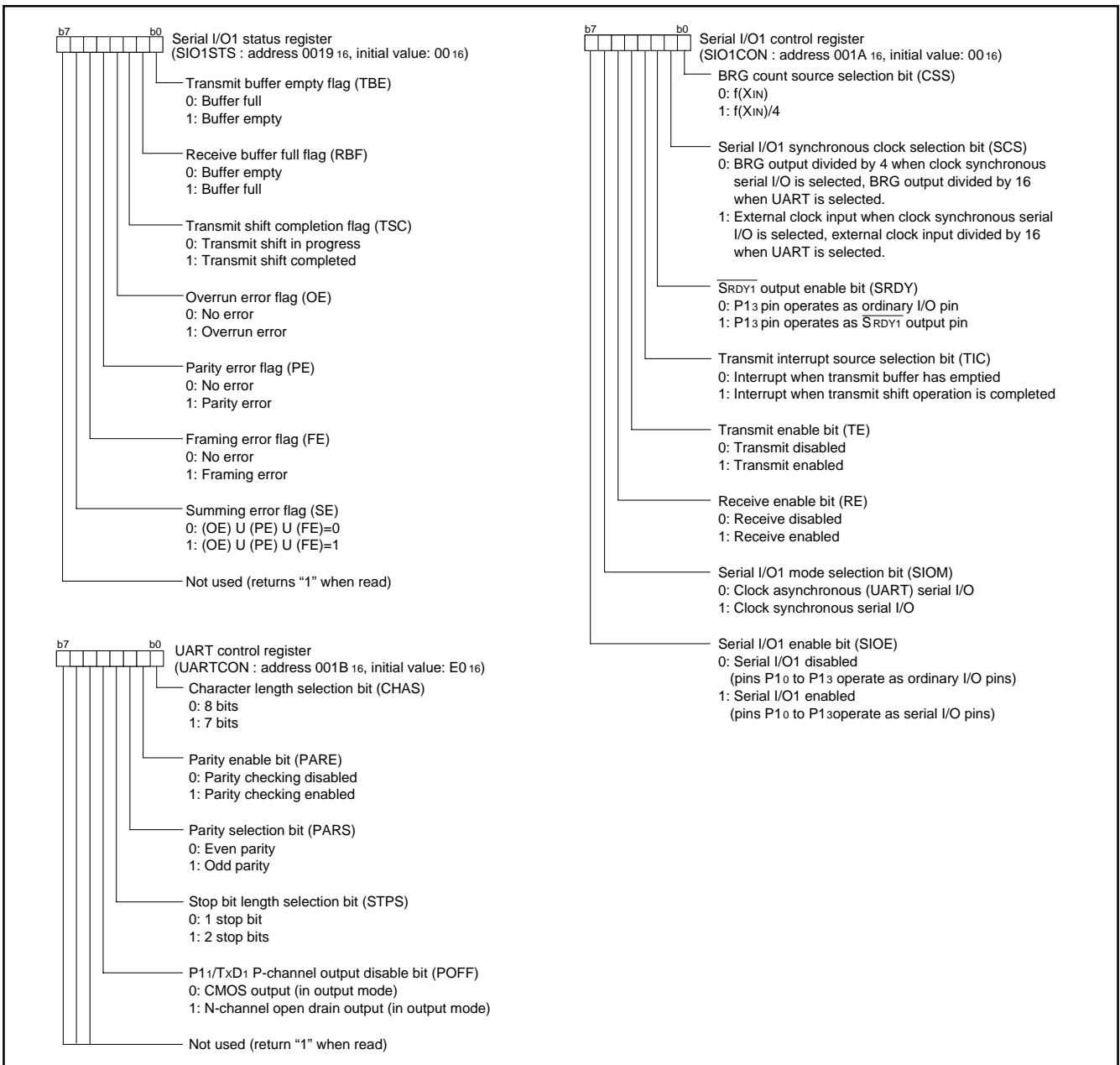


Fig. 34 Structure of serial I/O1-related registers

●Serial I/O2

The serial I/O2 function can be used only for clock synchronous serial I/O.

For clock synchronous serial I/O2 the transmitter and the receiver must use the same clock. When the internal clock is used, transfer is started by a write signal to the serial I/O2 register.

Note: Serial I/O2 can be used in the following cases;

- (1) Serial I/O1 is not used,
- (2) Serial I/O1 is used as UART and BRG output divided by 16 is selected as the synchronized clock.

[Serial I/O2 control register] SIO2CON

The serial I/O2 control register contains 8 bits which control various serial I/O functions.

- Set "0" to bit 3 to receive.
- At reception, clear bit 7 to "0" by writing a dummy data to the serial I/O2 register after completion of shift.

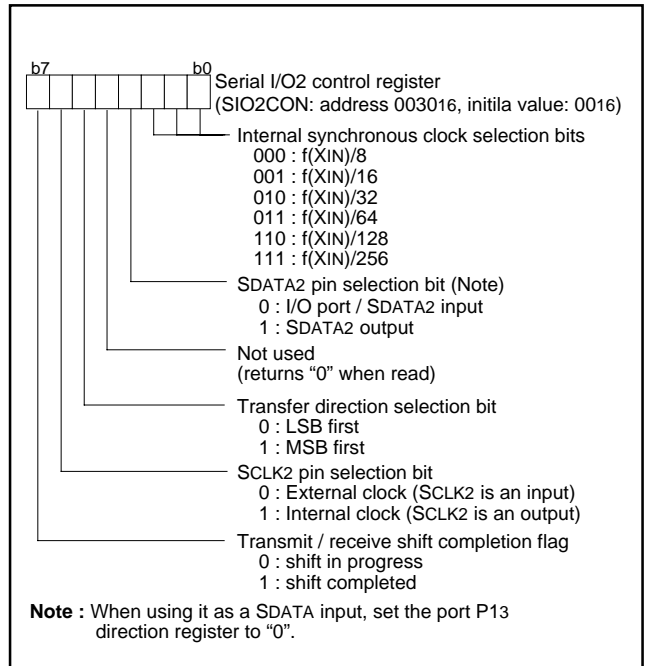


Fig. 35 Structure of serial I/O2 control registers

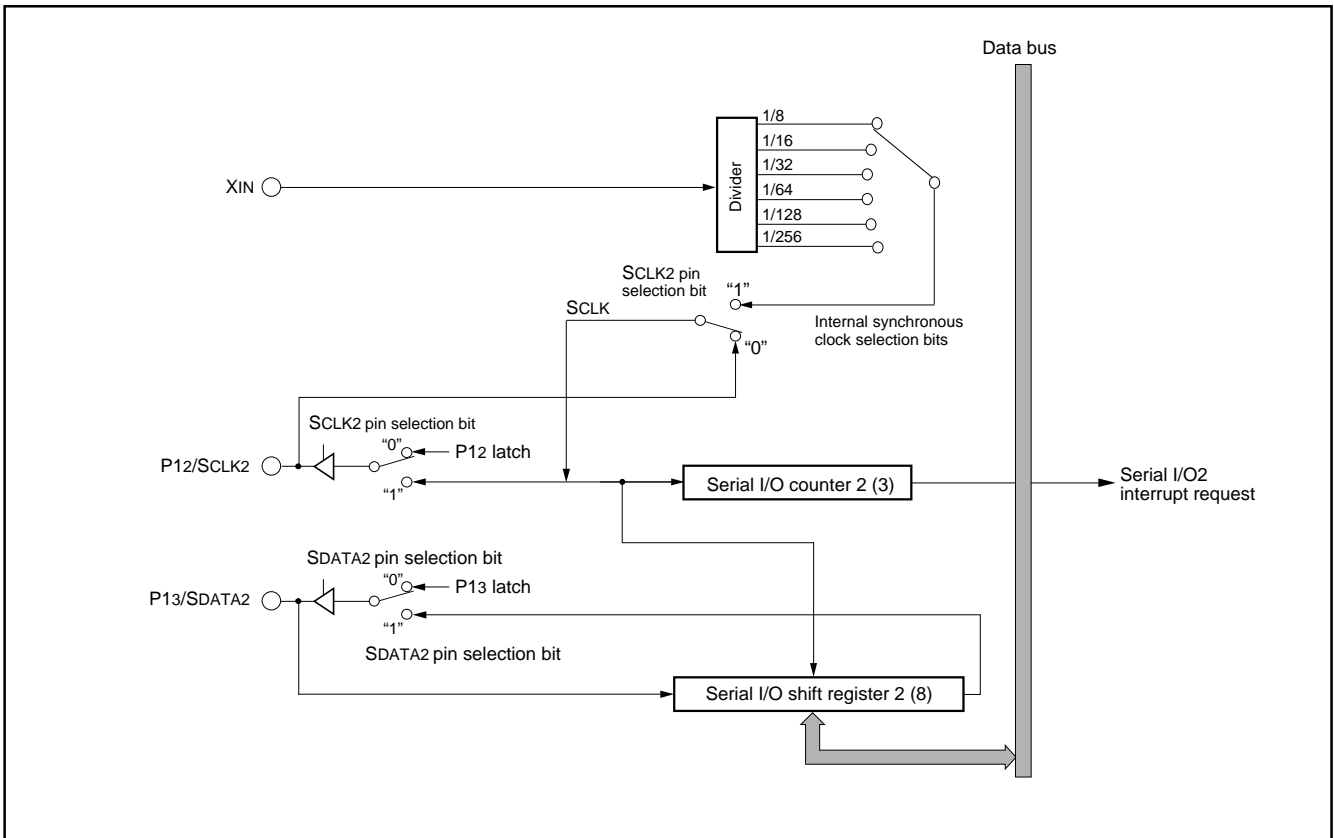


Fig. 36 Block diagram of serial I/O2

Serial I/O2 operation

By writing to the serial I/O2 register (address 003116) the serial I/O2 counter is set to "7".

After writing, the SDATA2 pin outputs data every time the transfer clock shifts from "H" to "L". And, as the transfer clock shifts from "L" to "H", the SDATA2 pin reads data, and at the same time the contents of the serial I/O2 register are shifted by 1 bit.

When the internal clock is selected as the transfer clock source, the following operations execute as the transfer clock counts up to 8.

- Serial I/O2 counter is cleared to "0".
- Transfer clock stops at an "H" level.
- Interrupt request bit is set.
- Shift completion flag is set.

Also, the SDATA2 pin is in a high impedance state after the data transfer is completed (refer to Fig.37).

When the external clock is selected as the transfer clock source, the interrupt request bit is set as the transfer clock counts up to 8, but external control of the clock is required since it does not stop. Notice that the SDATA2 pin is not in a high impedance state on the completion of data transfer.

Also, after the receive operation is completed, the transmit/receive shift completion flag is cleared by reading the serial I/O2 register. At transmit, the transmit/receive shift completion flag is cleared and the transmit operation is started by writing to serial I/O2 register.

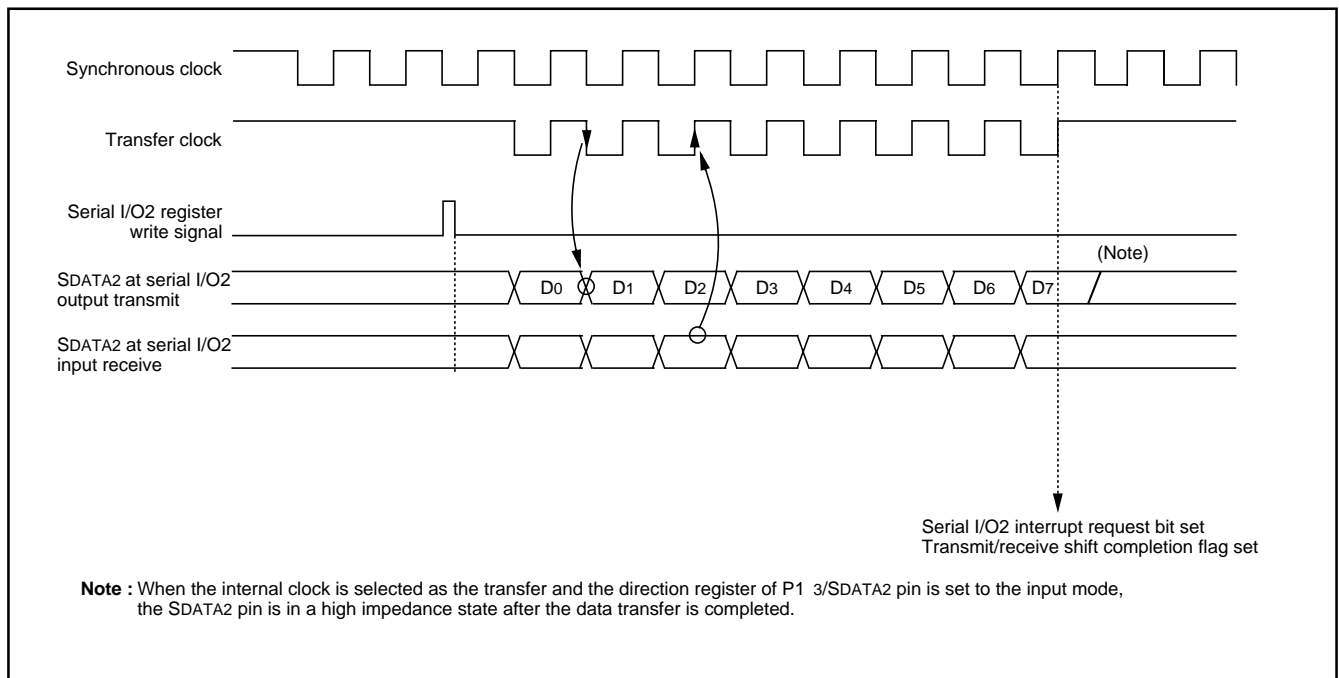


Fig. 37 Serial I/O2 timing (LSB first)

A/D Converter

The functional blocks of the A/D converter are described below.

[A/D conversion register] AD

The A/D conversion register is a read-only register that stores the result of A/D conversion. Do not read out this register during an A/D conversion.

[A/D control register] ADCON

The A/D control register controls the A/D converter. Bit 2 to 0 are analog input pin selection bits. Bit 4 is the AD conversion completion bit. The value of this bit remains at "0" during A/D conversion, and changes to "1" at completion of A/D conversion. A/D conversion is started by setting this bit to "0".

[Comparison voltage generator]

The comparison voltage generator divides the voltage between AVSS and VREF by 1024, and outputs the divided voltages.

[Channel selector]

The channel selector selects one of ports P27/AN7 to P20/AN0, and inputs the voltage to the comparator.

[Comparator and control circuit]

The comparator and control circuit compares an analog input voltage with the comparison voltage and stores its result into the A/D conversion register. When A/D conversion is completed, the control circuit sets the AD conversion completion bit and the AD interrupt request bit to "1". Because the comparator is constructed linked to a capacitor, set f(XIN) to 500 kHz or more during A/D conversion.

■ Note on A/D converter

As for AD translation accuracy, on the following operating conditions, accuracy may become low.

- (1) Since the analog circuit inside a microcomputer becomes sensitive to noise when VREF voltage is set up lower than Vcc voltage, accuracy may become low rather than the case where VREF voltage and Vcc voltage are set up to the same value.

- (2) When VREF voltage is lower than [3.0 V], the accuracy at the low temperature may become extremely low compared with that at room temperature. When the system would be used at low temperature, the use at VREF=3.0 V or more is recommended.

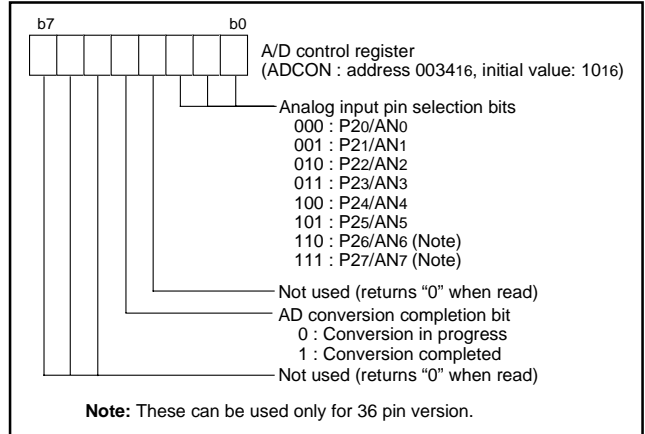


Fig. 38 Structure of A/D control register

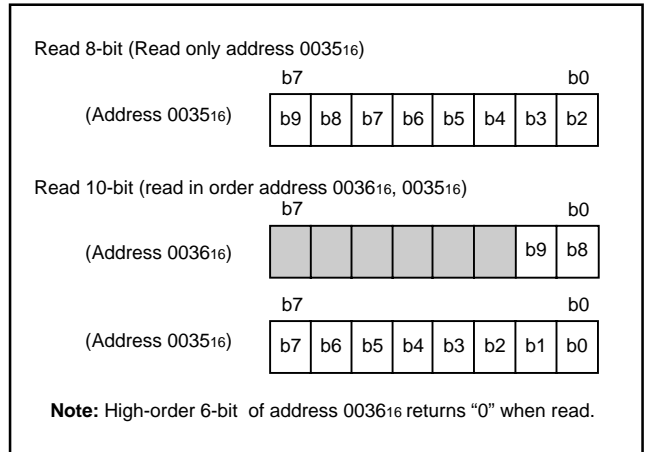


Fig. 39 Structure of A/D conversion register

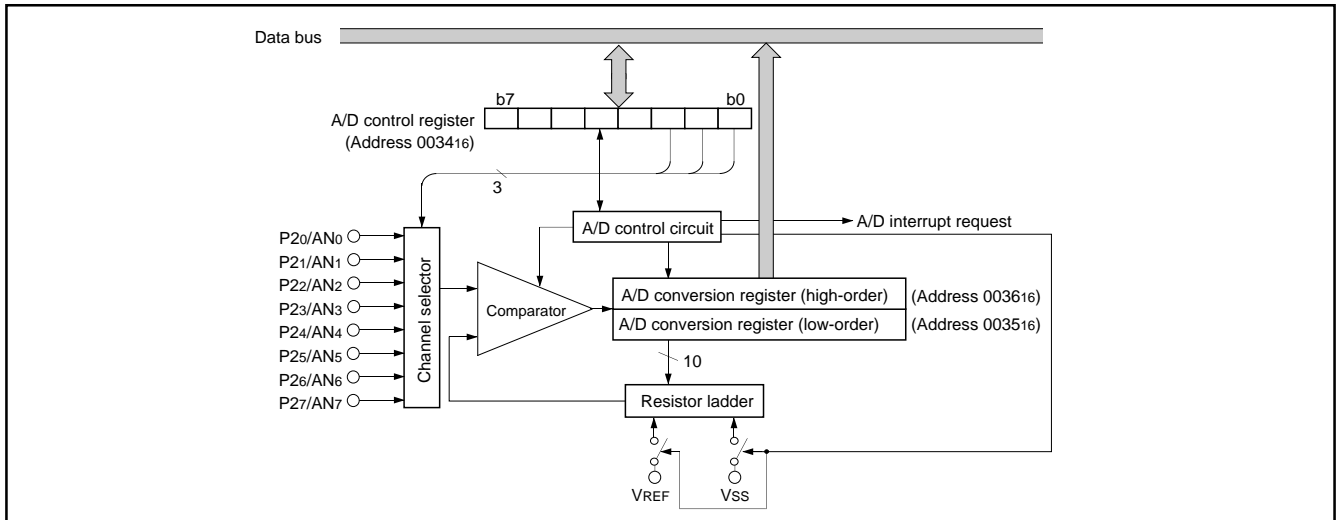


Fig. 40 Block diagram of A/D converter

Watchdog Timer

The watchdog timer gives a means for returning to a reset status when the program fails to run on its normal loop due to a runaway. The watchdog timer consists of an 8-bit watchdog timer H and an 8-bit watchdog timer L, being a 16-bit counter.

Standard operation of watchdog timer

The watchdog timer stops when the watchdog timer control register (address 0039₁₆) is not set after reset. Writing an optional value to the watchdog timer control register (address 0039₁₆) causes the watchdog timer to start to count down. When the watchdog timer H underflows, an internal reset occurs. Accordingly, it is programmed that the watchdog timer control register (address 0039₁₆) can be set before an underflow occurs.

When the watchdog timer control register (address 0039₁₆) is read, the values of the high-order 6-bit of the watchdog timer H, STP instruction disable bit and watchdog timer H count source selection bit are read.

Initial value of watchdog timer

By a reset or writing to the watchdog timer control register (address 0039₁₆), the watchdog timer H is set to "FF₁₆" and the watchdog timer L is set to "FF₁₆".

Operation of watchdog timer H count source selection bit

A watchdog timer H count source can be selected by bit 7 of the watchdog timer control register (address 0039₁₆). When this bit is "0", the count source becomes a watchdog timer L underflow signal. The detection time is 131.072 ms at f(XIN)=8 MHz. When this bit is "1", the count source becomes f(XIN)/16. In this case, the detection time is 512 μs at f(XIN)=8 MHz. This bit is cleared to "0" after reset.

Operation of STP instruction disable bit

When the watchdog timer is in operation, the STP instruction can be disabled by bit 6 of the watchdog timer control register (address 0039₁₆). When this bit is "0", the STP instruction is enabled. When this bit is "1", the STP instruction is disabled, and an internal reset occurs if the STP instruction is executed. Once this bit is set to "1", it cannot be changed to "0" by program. This bit is cleared to "0" after reset.

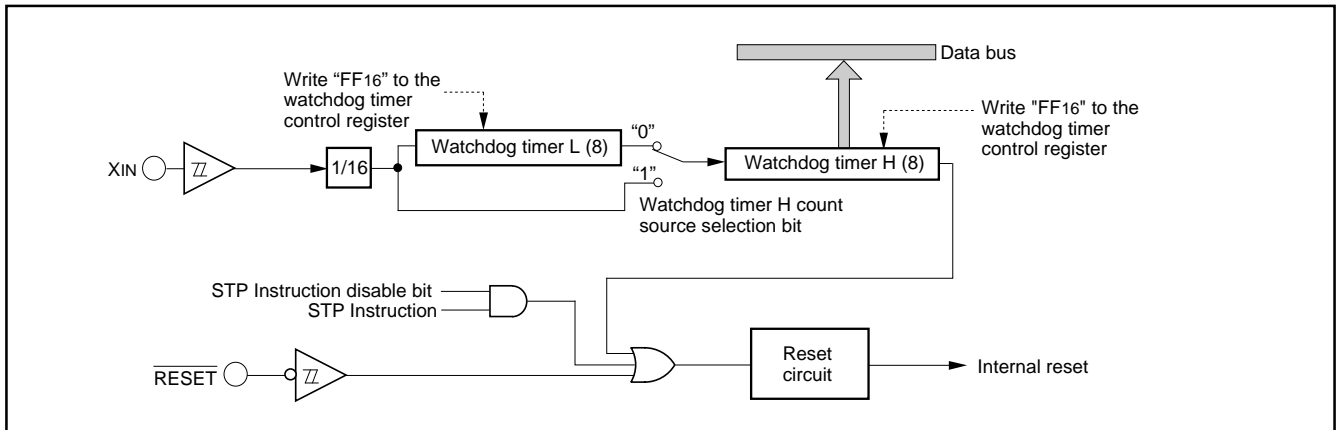


Fig. 41 Block diagram of watchdog timer

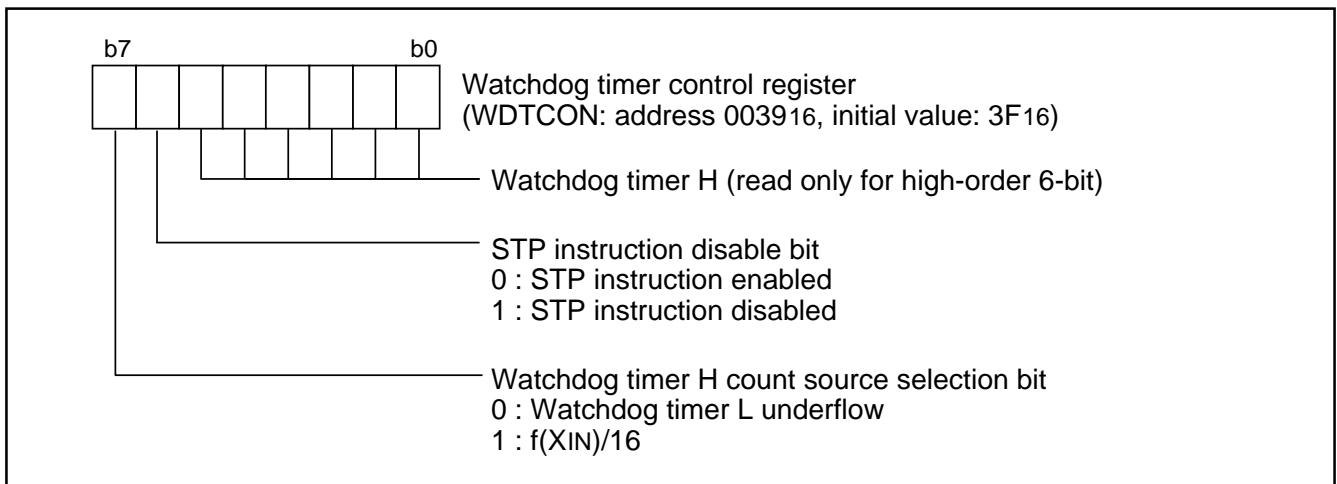


Fig. 42 Structure of watchdog timer control register

Reset Circuit

The microcomputer is put into a reset status by holding the $\overline{\text{RESET}}$ pin at the "L" level for 2 μs or more when the power source voltage is 2.2 to 5.5 V and XIN is in stable oscillation.

After that, this reset status is released by returning the $\overline{\text{RESET}}$ pin to the "H" level. The program starts from the address having the contents of address FFFD₁₆ as high-order address and the contents of address FFFC₁₆ as low-order address.

In the case of $f(\phi) \leq 6 \text{ MHz}$, the reset input voltage must be 0.9 V or less when the power source voltage passes 4.5 V.

In the case of $f(\phi) \leq 4 \text{ MHz}$, the reset input voltage must be 0.8 V or less when the power source voltage passes 4.0 V.

In the case of $f(\phi) \leq 2 \text{ MHz}$, the reset input voltage must be 0.48 V or less when the power source voltage passes 2.4 V.

In the case of $f(\phi) \leq 1 \text{ MHz}$, the reset input voltage must be 0.44 V or less when the power source voltage passes 2.2 V.

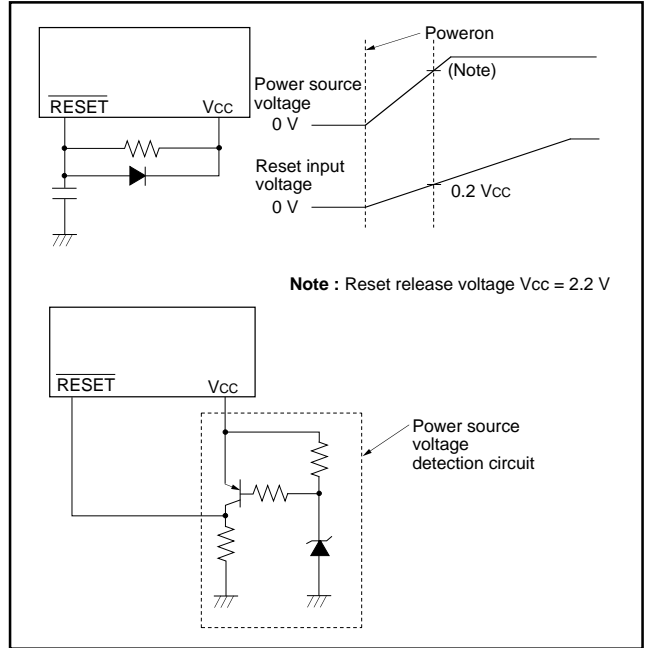


Fig. 43 Example of reset circuit

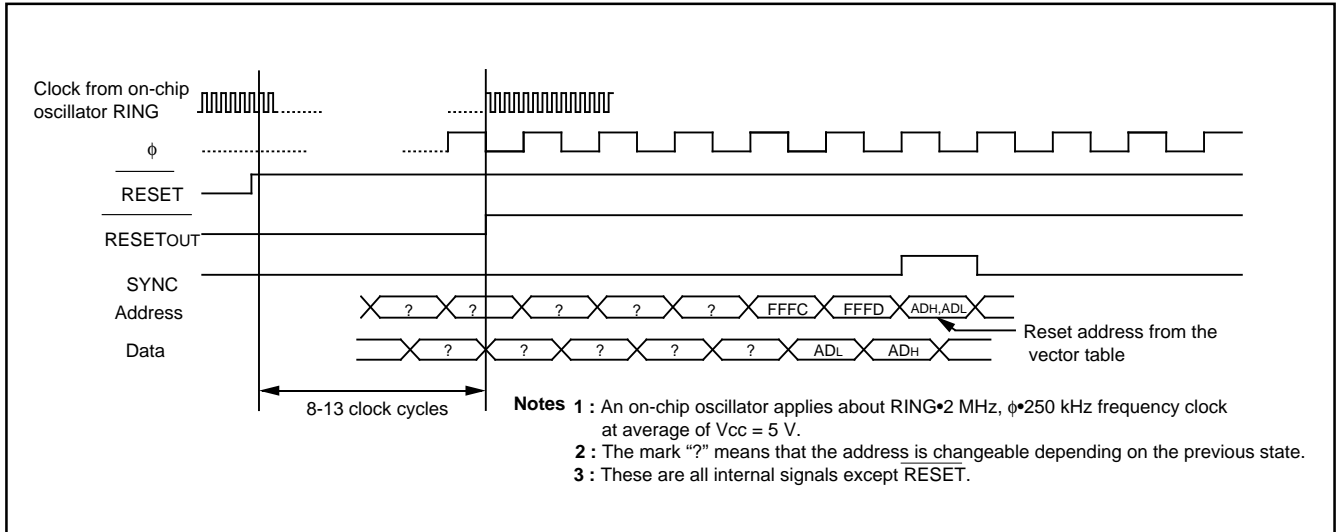


Fig. 44 Timing diagram at reset

	Address	Register contents
(1) Port P0 direction register	0001 ₁₆	00 ₁₆
(2) Port P1 direction register	0003 ₁₆	X X X 0 0 0 0 0 0
(3) Port P2 direction register	0005 ₁₆	00 ₁₆
(4) Port P3 direction register	0007 ₁₆	00 ₁₆
(5) Pull-up control register	0016 ₁₆	00 ₁₆
(6) Port P1P3 control register	0017 ₁₆	00 ₁₆
(7) Serial I/O1 status register	0019 ₁₆	1 0 0 0 0 0 0 0 0 0
(8) Serial I/O1 control register	001A ₁₆	00 ₁₆
(9) UART control register	001B ₁₆	1 1 1 0 0 0 0 0 0 0
(10) Timer A mode register	001D ₁₆	00 ₁₆
(11) Timer A (low-order)	001E ₁₆	FF ₁₆
(12) Timer A (high-order)	001F ₁₆	FF ₁₆
(13) Timer Y, Z mode register	0020 ₁₆	00 ₁₆
(14) Prescaler Y	0021 ₁₆	FF ₁₆
(15) Timer Y secondary	0022 ₁₆	FF ₁₆
(16) Timer Y primary	0023 ₁₆	FF ₁₆
(17) Timer Y, Z waveform output control register	0024 ₁₆	00 ₁₆
(18) Prescaler Z	0025 ₁₆	FF ₁₆
(19) Timer Z secondary	0026 ₁₆	FF ₁₆
(20) Timer Z primary	0027 ₁₆	FF ₁₆
(21) Prescaler 1	0028 ₁₆	FF ₁₆
(22) Timer 1	0029 ₁₆	01 ₁₆
(23) One-shot start register	002A ₁₆	00 ₁₆
(24) Timer X mode register	002B ₁₆	00 ₁₆
(25) Prescaler X	002C ₁₆	FF ₁₆
(26) Timer X	002D ₁₆	FF ₁₆
(27) Timer count source set register	002E ₁₆	00 ₁₆
(28) Serial I/O2 control register	0030 ₁₆	00 ₁₆
(29) Serial I/O2 register	0031 ₁₆	00 ₁₆
(30) A/D control register	0034 ₁₆	10 ₁₆
(31) MISRG	0038 ₁₆	00 ₁₆
(32) Watchdog timer control register	0039 ₁₆	0 0 1 1 1 1 1 1 1 1
(33) Interrupt edge selection register	003A ₁₆	00 ₁₆
(34) CPU mode register	003B ₁₆	1 0 0 0 0 0 0 0 0 0
(35) Interrupt request register 1	003C ₁₆	00 ₁₆
(36) Interrupt request register 2	003D ₁₆	00 ₁₆
(37) Interrupt control register 1	003E ₁₆	00 ₁₆
(38) Interrupt control register 2	003F ₁₆	00 ₁₆
(39) Processor status register	(PS)	X X X X X X 1 X X
(40) Program counter	(PCH)	Contents of address FFFD ₁₆
	(PCL)	Contents of address FFFC ₁₆

Note X : Undefined

Fig. 45 Internal status of microcomputer at reset

Clock Generating Circuit

An oscillation circuit can be formed by connecting a resonator between XIN and XOUT, and an RC oscillation circuit can be formed by connecting a resistor and a capacitor.

Use the circuit constants in accordance with the resonator manufacturer's recommended values.

(1) On-chip oscillator operation

When the MCU operates by the on-chip oscillator for the main clock, connect XIN pin to VSS and leave XOUT pin open.

The clock frequency of the on-chip oscillator depends on the supply voltage and the operation temperature range.

Be careful that variable frequencies when designing application products.

(2) Ceramic resonator

When the ceramic resonator is used for the main clock, connect the ceramic resonator and the external circuit to pins XIN and XOUT at the shortest distance. A feedback resistor is built in between pins XIN and XOUT.

(3) RC oscillation

When the RC oscillation is used for the main clock, connect the XIN pin and XOUT pin to the external circuit of resistor R and the capacitor C at the shortest distance.

The frequency is affected by a capacitor, a resistor and a micro-computer.

So, set the constants within the range of the frequency limits.

(4) External clock

When the external signal clock is used for the main clock, connect the XIN pin to the clock source and leave XOUT pin open.

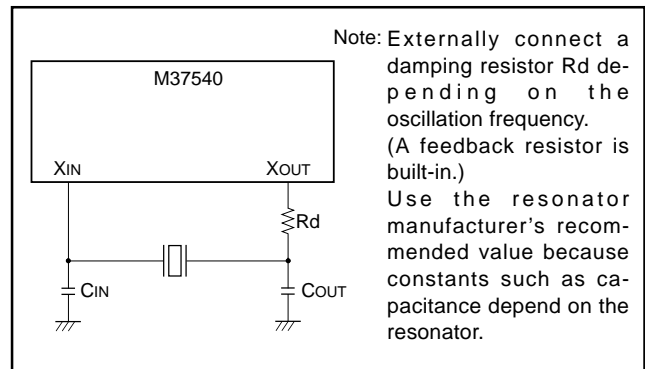


Fig. 46 External circuit of ceramic resonator

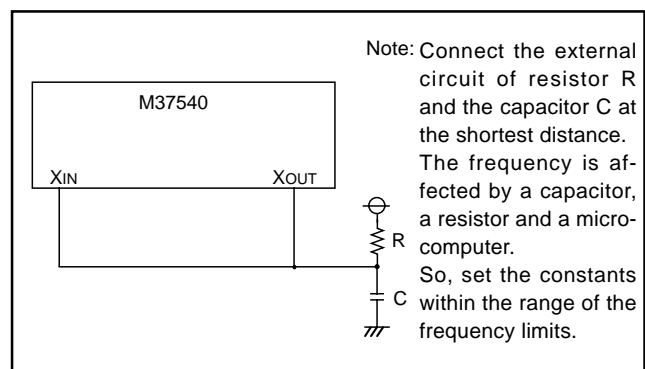


Fig. 47 External circuit of RC oscillation

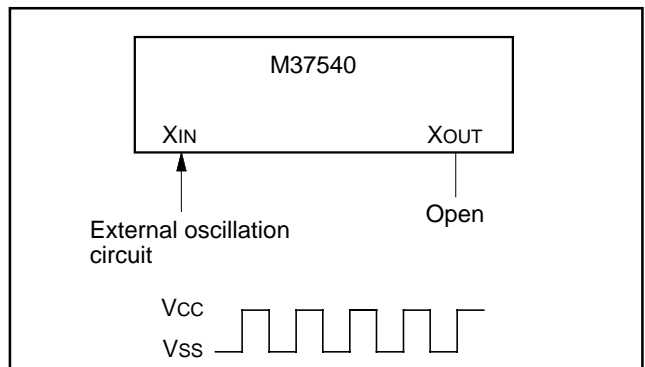


Fig. 48 External clock input circuit

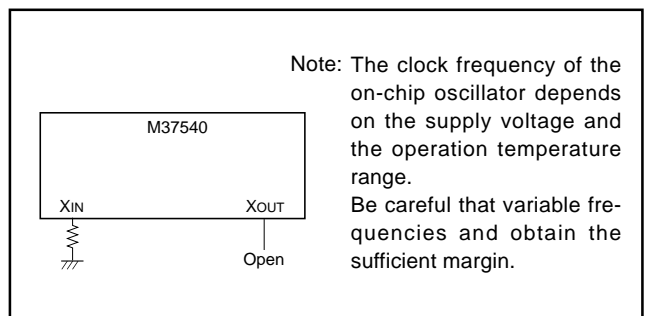


Fig. 49 Processing of XIN and XOUT pins at on-chip oscillator operation

(1) Oscillation control**• Stop mode**

When the STP instruction is executed, the internal clock ϕ stops at an "H" level and the XIN oscillator stops. At this time, timer 1 is set to "0116" and prescaler 1 is set to "FF16" when the oscillation stabilization time set bit after release of the STP instruction is "0". On the other hand, timer 1 and prescaler 1 are not set when the above bit is "1". Accordingly, set the wait time fit for the oscillation stabilization time of the oscillator to be used. $f(XIN)/16$ is forcibly connected to the input of prescaler 1. When an external interrupt is accepted, oscillation is restarted but the internal clock ϕ remains at "H" until timer 1 underflows. As soon as timer 1 underflows, the internal clock ϕ is supplied. This is because when a ceramic oscillator is used, some time is required until a start of oscillation. In case oscillation is restarted by reset, no wait time is generated. So apply an "L" level to the RESET pin while oscillation becomes stable.

Also, the STP instruction cannot be used while CPU is operating by an on-chip oscillator.

• Wait mode

If the WIT instruction is executed, the internal clock ϕ stops at an "H" level, but the oscillator does not stop. The internal clock restarts if a reset occurs or when an interrupt is received. Since the oscillator does not stop, normal operation can be started immediately after the clock is restarted. To ensure that interrupts will be received to release the STP or WIT state, interrupt enable bits must be set to "1" before the STP or WIT instruction is executed.

■ Notes on clock generating circuit

For use with the oscillation stabilization set bit after release of the STP instruction set to "1", set values in timer 1 and prescaler 1 after fully appreciating the oscillation stabilization time of the oscillator to be used.

• Switch of ceramic and RC oscillations

After releasing reset the operation starts by starting an on-chip oscillator. Then, a ceramic oscillation or an RC oscillation is selected by setting bit 5 of the CPU mode register.

• Double-speed mode

When a ceramic oscillation is selected, a double-speed mode can be used. Do not use it when an RC oscillation is selected.

• CPU mode register

Bits 5, 1 and 0 of CPU mode register are used to select oscillation mode and to control operation modes of the microcomputer. In order to prevent the dead-lock by error-writing (ex. program run-away), these bits can be rewritten only once after releasing reset. After rewriting it is disable to write any data to the bit. (The emulator MCU "M37540RSS" is excluded.)

Also, when the read-modify-write instructions (SEB, CLB) are executed to bits 2 to 4, 6 and 7, bits 5, 1 and 0 are locked.

• Clock division ratio, XIN oscillation control, on-chip oscillator control

The state transition shown in Fig. 52 can be performed by setting the clock division ratio selection bits (bits 7 and 6), XIN oscillation control bit (bit 4), on-chip oscillator oscillation control bit (bit 3) of CPU mode register. Be careful of notes on use in Fig. 52.

● Oscillation stop detection circuit (Note)

The oscillation stop detection circuit is used for reset occurrence when a ceramic resonator or an oscillation circuit stops by disconnection. When internal reset occurs, reset because of oscillation stop can be detected by setting "1" to the oscillation stop detection status bit.

Also, when using the oscillation stop detection circuit, an on-chip oscillator is required.

Figure 53 shows the state transition.

Note: The oscillation stop detection circuit is not included in the emulator MCU "M37540RSS".

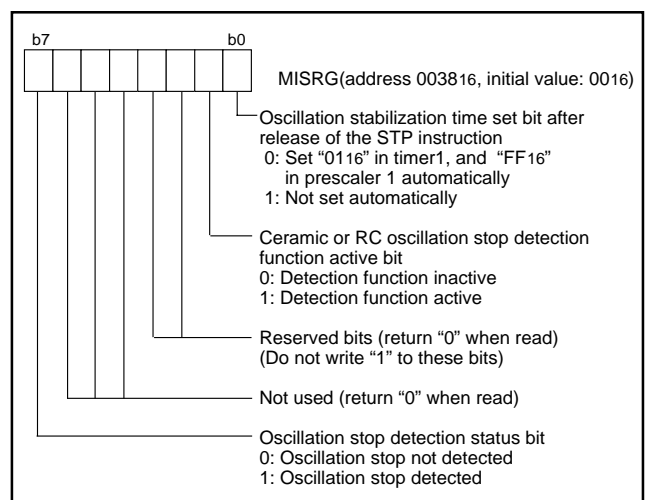


Fig. 50 Structure of MISRG

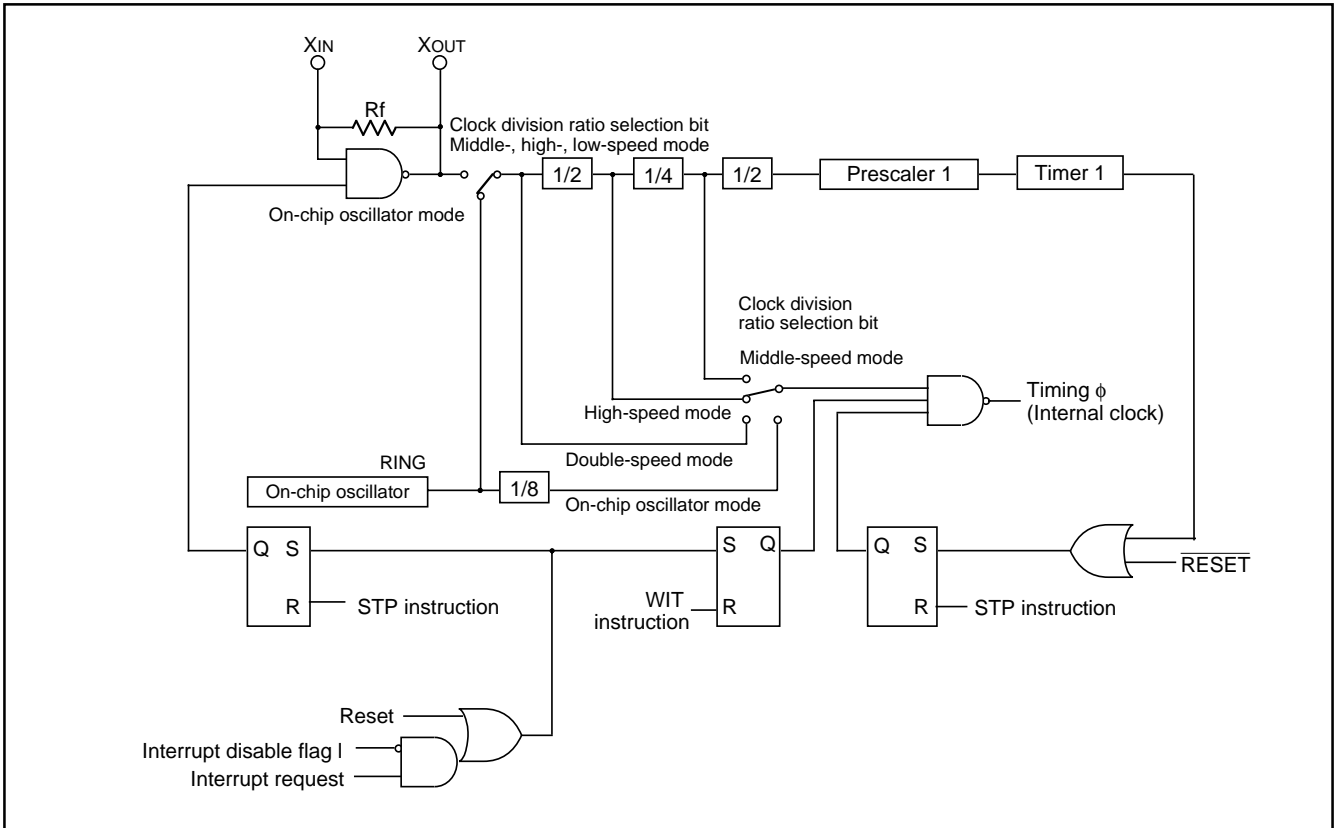


Fig. 51 Block diagram of internal clock generating circuit (for ceramic resonator)

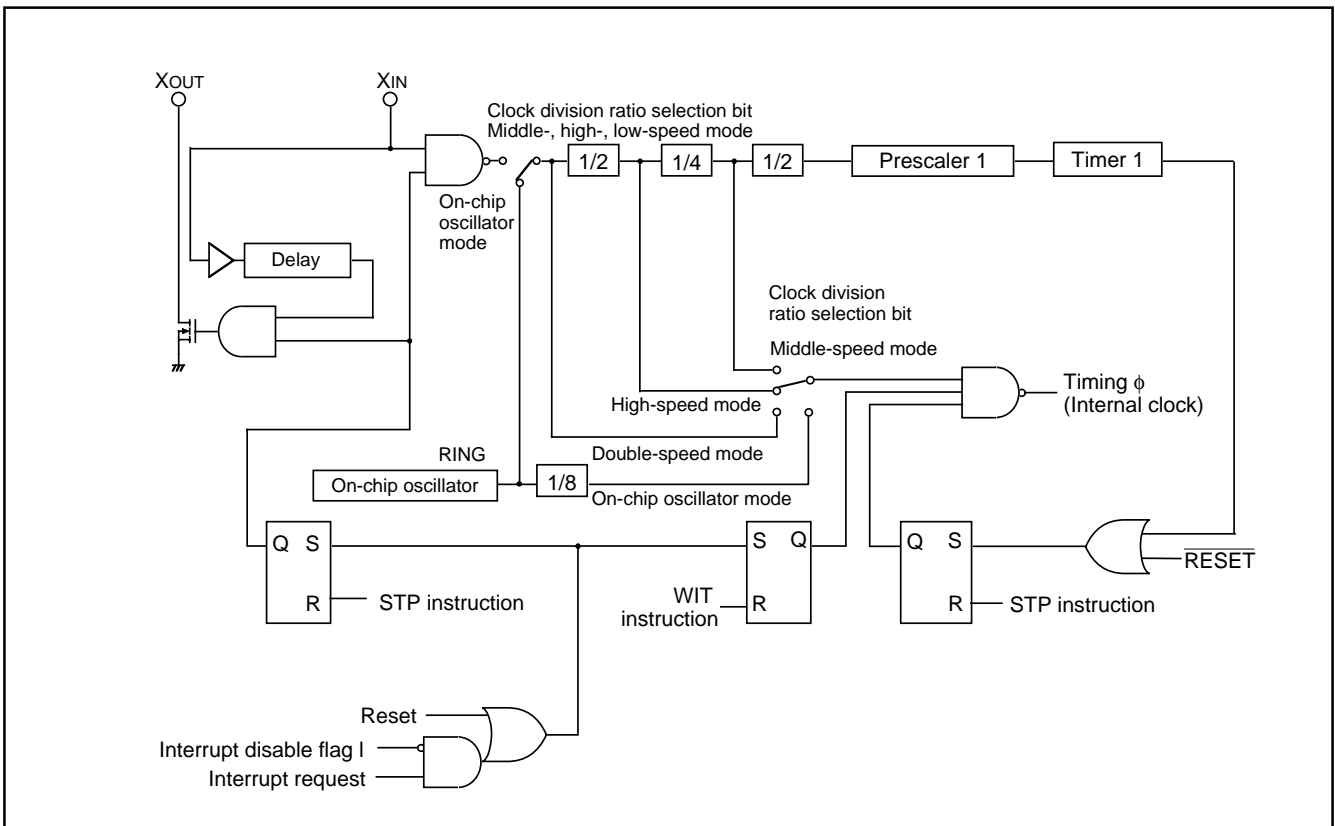


Fig. 52 Block diagram of internal clock generating circuit (for RC oscillation)

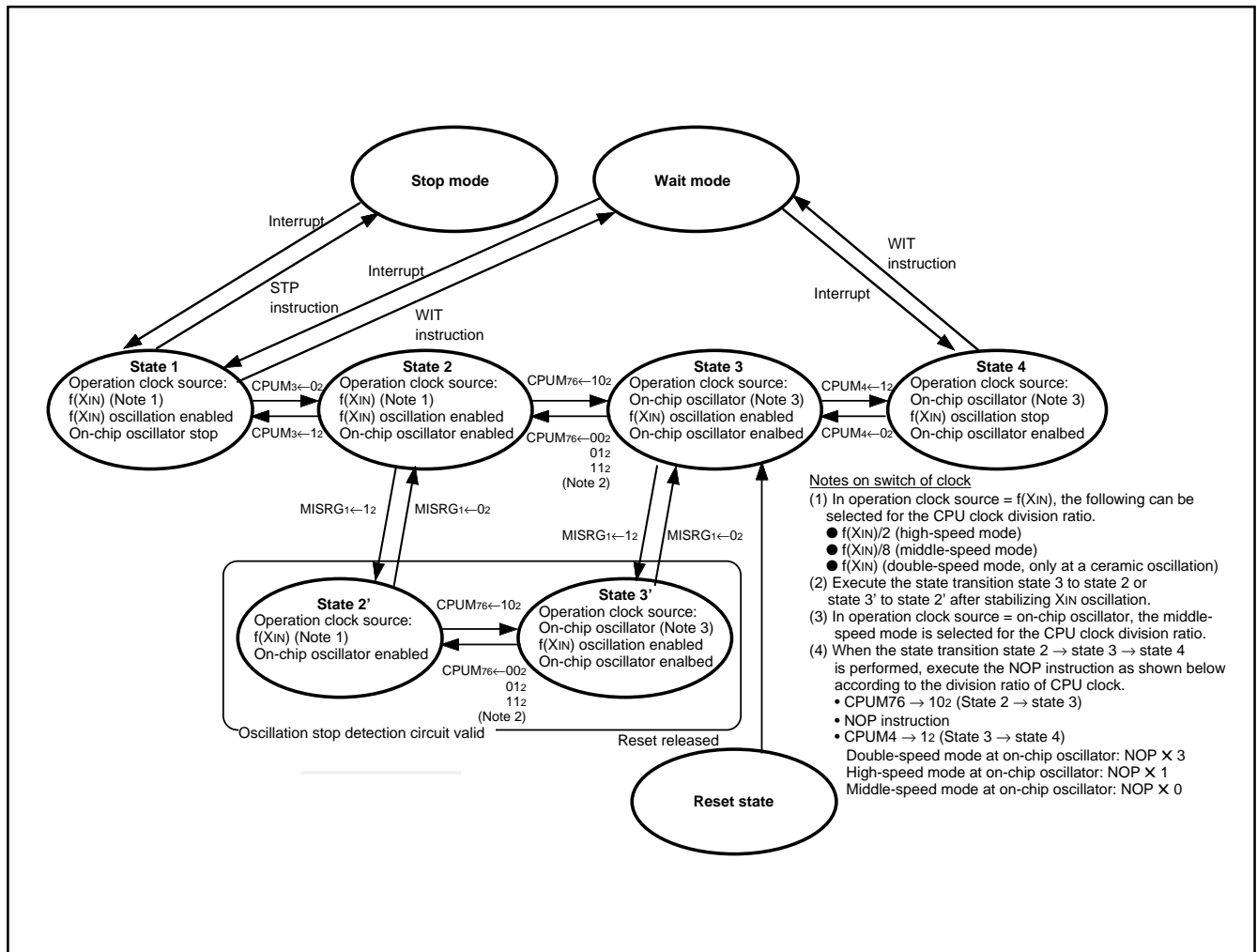


Fig. 53 State transition

NOTES ON PROGRAMMING

Processor Status Register

The contents of the processor status register (PS) after reset are undefined except for the interrupt disable flag I which is "1". After reset, initialize flags which affect program execution. In particular, it is essential to initialize the T flag and the D flag because of their effect on calculations.

Interrupts

The contents of the interrupt request bit do not change even if the BBC or BBS instruction is executed immediately after they are changed by program because this instruction is executed for the previous contents. For executing the instruction for the changed contents, execute one instruction before executing the BBC or BBS instruction.

Decimal Calculations

- For calculations in decimal notation, set the decimal mode flag D to "1", then execute the ADC instruction or SBC instruction. In this case, execute SEC instruction, CLC instruction or CLD instruction after executing one instruction before the ADC instruction or SBC instruction.
- In the decimal mode, the values of the N (negative), V (overflow) and Z (zero) flags are invalid.

Ports

- The values of the port direction registers cannot be read. That is, it is impossible to use the LDA instruction, memory operation instruction when the T flag is "1", addressing mode using direction register values as qualifiers, and bit test instructions such as BBC and BBS.
- It is also impossible to use bit operation instructions such as CLB and SEB and read/modify/write instructions of direction registers for calculations such as ROR.
- For setting direction registers, use the LDM instruction, STA instruction, etc.

A/D Conversion

Do not execute the STP instruction during A/D conversion.

Instruction Execution Timing

The instruction execution time can be obtained by multiplying the frequency of the internal clock ϕ by the number of cycles mentioned in the machine-language instruction table.

The frequency of the internal clock ϕ is the same as that of the XIN in double-speed mode, twice the XIN cycle in high-speed mode and 8 times the XIN cycle in middle-speed mode.

CPU Mode Register

The oscillation mode selection bit and processor mode bits can be rewritten only once after releasing reset. However, after rewriting it is disable to write any value to the bit. (Emulator MCU is excluded.)

When a ceramic oscillation is selected, a double-speed mode of the clock division ratio selection bits can be used. Do not use it when an RC oscillation is selected.

State transition

Do not stop the clock selected as the operation clock because of setting of CM3, 4.

NOTES ON HARDWARE

Handling of Power Source Pin

In order to avoid a latch-up occurrence, connect a capacitor suitable for high frequencies as bypass capacitor between power source pin (Vcc pin) and GND pin (Vss pin). Besides, connect the capacitor to as close as possible. For bypass capacitor which should not be located too far from the pins to be connected, a ceramic capacitor of 0.01 μ F to 0.1 μ F is recommended.

One Time PROM Version

The CNVss pin is connected to the internal memory circuit block by a low-ohmic resistance, since it has the multiplexed function to be a programmable power source pin (VPP pin) as well.

To improve the noise reduction, connect a track between CNVss pin and Vss pin with 1 to 10 k Ω resistance.

The mask ROM version track of CNVss pin has no operational interference even if it is connected via a resistor.

NOTES ON PERIPHERAL FUNCTIONS

■ Interrupt

When setting the followings, the interrupt request bit may be set to "1".

- When setting external interrupt active edge

Related register: Interrupt edge selection register (address 003A16)

Timer X mode register (address 2B16)

Timer A mode register (address 1D16)

When not requiring the interrupt occurrence synchronized with these setting, take the following sequence.

- ① Set the corresponding interrupt enable bit to "0" (disabled).
- ② Set the interrupt edge select bit (active edge switch bit) to "1".
- ③ Set the corresponding interrupt request bit to "0" after 1 or more instructions have been executed.
- ④ Set the corresponding interrupt enable bit to "1" (enabled).

■ Timers

- When n (0 to 255) is written to a timer latch, the frequency division ratio is $1/(n+1)$.

- When a count source of timer X, timer Y or timer Z is switched, stop a count of timer X.

■ Timer A

CNTR1 interrupt active edge selection

CNTR1 interrupt active edge depends on the CNTR1 active edge switch bit. When this bit is "0", the CNTR1 interrupt request bit is set to "1" at the falling edge of the CNTR1 pin input signal. When this bit is "1", the CNTR1 interrupt request bit is set to "1" at the rising edge of the CNTR1 pin input signal.

However, in the pulse width HL continuously measurement mode, CNTR1 interrupt request is generated at both rising and falling edges of CNTR1 pin input signal regardless of the setting of CNTR1 active edge switch bit.

■ Timer X

CNTR0 interrupt active edge selection

CNTR0 interrupt active edge depends on the CNTR0 active edge switch bit. When this bit is "0", the CNTR0 interrupt request bit is set to "1" at the falling edge of CNTR0 pin input signal. When this bit is "1", the CNTR0 interrupt request bit is set to "1" at the rising edge of CNTR0 pin input signal.

■ Timer Y: Programmable Generation Waveform Mode

- Count set value

In the programmable waveform generation mode, values of TYS, EXPYP, and EXPYS are valid by writing to TYP because the setting to them is executed all at once by writing to TYP. Even when changing TYP is not required, write the same value again.

- Write timing to TYP

In the programmable waveform generation mode, when the setting value is changed while the waveform is output, set by software in order not to execute the writing to TYP and the timing of timer underflow during the secondary interval simultaneously.

- Usage of waveform extension function

The waveform extension function by the timer Y waveform extension control bit can be used only when "0016" is set to Prescaler Y. When the value other than "0016" is set to Prescaler Y, be sure to set "0" to EXPYP and EXPYS.

- Timer Y write mode

When using this mode, be sure to set "1" to the timer Y write control bit to select "write to latch only".

Timer Y can stop counting by setting "1" to the timer Y count stop bit in any mode.

Also, when Timer Y underflows, the timer Y interrupt request bit is set to "1".

Timer Y reloads the value of latch when counting is stopped by the timer Y count stop bit. (When timer is read out while timer is stopped, the value of latch is read. The value of timer can be read out only while timer is operating.)

■ Timer Z: Programmable Waveform Generation Mode

- Count set value

In the programmable waveform generation mode, values of TZS, EXPZP, and EXPZS are valid by writing to TZP because the setting to them is executed all at once by writing to TZP. Even when changing TZP is not required, write the same value again.

- Write timing to TZP

In the programmable waveform generation mode, when the setting value is changed while the waveform is output, set by software in order not to execute the writing to TZP and the timing of timer underflow during the secondary interval simultaneously.

- Usage of waveform extension function

The waveform extension function by the timer Z waveform extension control bit can be used only when "0016" is set to Prescaler Z. When the value other than "0016" is set to Prescaler Z, be sure to set "0" to EXPZP and EXPZS. Also, when the timer Y underflow is selected as the count source, the waveform extension function cannot be used.

- Timer Z write mode

When using this mode, be sure to set "1" to the timer Z write control bit to select "write to latch only".

■ Timer Z: Programmable One-shot Generation Mode

- Count set value

In the programmable one-shot generation mode, the value of EXPZP becomes valid by writing to TZP. Even when changing TZP is not required, write the same value again.

- Write timing to TZP

In the programmable one-shot generation mode, when the setting value is changed while the waveform is output, set by software in order not to execute the writing to TZP and the timing of timer underflow simultaneously.

- Usage of waveform extension function

The waveform extension function by the timer Z waveform extension control bit can be used only when "0016" is set to Prescaler Z. When the value other than "0016" is set to Prescaler Z, be sure to set "0" to EXPZP. Also, when the timer Y underflow is selected as the count source, the waveform extension function cannot be used.

- Timer Z write mode

When using this mode, be sure to set "1" to the timer Z write control bit to select "write to latch only".

■ Timer Z: Programmable Wait One-shot Generation Mode

- Count set value

In the programmable wait one-shot generation mode, values of TZS, EXPZP and EXPZS are valid by writing to TZP. Even when changing TZP is not required, write the same value again.

- Write timing to TZP

In the programmable wait one-shot generation mode, when the setting value is changed while the waveform is output, set by software in order not to execute the writing to TZP and the timing of timer underflow during the secondary interval simultaneously.

- Usage of waveform extension function

The waveform extension function by the timer Z waveform extension control bit can be used only when "0016" is set to Prescaler Z. When the value other than "0016" is set to Prescaler Z, be sure to set "0" to EXPZP and EXPZS. Also, when the timer Y underflow is selected as the count source, the waveform extension function cannot be used.

- Timer Z write mode

When using this mode, be sure to set "1" to the timer Z write control bit to select "write to latch only".

Timer Z can stop counting by setting "1" to the timer Z count stop bit in any mode.

Also, when Timer Z underflows, the timer Z interrupt request bit is set to "1".

Timer Z reloads the value of latch when counting is stopped by the timer Z count stop bit. (When timer is read out while timer is stopped, the value of latch is read. The value of timer can be read out only while timer is operating.)

■ Serial I/O

- Serial I/O interrupt

When setting the transmit enable bit to "1", the serial I/O transmit interrupt request bit is automatically set to "1". When not requiring the interrupt occurrence synchronized with the transmission enabled, take the following sequence.

- ① Set the serial I/O transmit interrupt enable bit to "0" (disabled).
- ② Set the transmit enable bit to "1".
- ③ Set the serial I/O transmit interrupt request bit to "0" after 1 or more instructions have been executed.
- ⑤ Set the serial I/O transmit interrupt enable bit to "1" (enabled).

- I/O pin function when serial I/O1 is enabled.

The functions of P12 and P13 are switched with the setting values of a serial I/O1 mode selection bit and a serial I/O1 synchronous clock selection bit as follows.

(1) Serial I/O1 mode selection bit → "1" :

Clock synchronous type serial I/O is selected.

Setup of a serial I/O1 synchronous clock selection bit

"0" : P12 pin turns into an output pin of a synchronous clock.

"1" : P12 pin turns into an input pin of a synchronous clock.

Setup of a SRDY1 output enable bit (SRDY)

"0" : P13 pin can be used as a normal I/O pin.

"1" : P13 pin turns into a SRDY output pin.

(2) Serial I/O1 mode selection bit → "0" :

Clock asynchronous (UART) type serial I/O is selected.

Setup of a serial I/O1 synchronous clock selection bit

"0" : P12 pin can be used as a normal I/O pin.

"1" : P12 pin turns into an input pin of an external clock.

When clock asynchronous (UART) type serial I/O is selected, it is P13 pin. It can be used as a normal I/O pin.

■ A/D Converter

- The comparator uses internal capacitors whose charge will be lost if the clock frequency is too low.

Make sure that $f(XIN)$ is 500kHz or more during A/D conversion.

- As for AD translation accuracy, on the following operating conditions, accuracy may become low.

- (1) Since the analog circuit inside a microcomputer becomes sensitive to noise when V_{REF} voltage is set up lower than V_{CC} voltage, accuracy may become low rather than the case where V_{REF} voltage and V_{CC} voltage are set up to the same value.
- (2) When V_{REF} voltage is lower than [3.0 V], the accuracy at the low temperature may become extremely low compared with that at room temperature. When the system would be used at low temperature, the use at $V_{REF}=3.0$ V or more is recommended.

■ Notes on clock generating circuit

For use with the oscillation stabilization set bit after release of the STP instruction set to "1", set values in timer 1 and prescaler 1 after fully appreciating the oscillation stabilization time of the oscillator to be used.

- Switch of ceramic and RC oscillations

After releasing reset the operation starts by starting an on-chip oscillator. Then, a ceramic oscillation or an RC oscillation is selected by setting bit 5 of the CPU mode register.

- Double-speed mode

When a ceramic oscillation is selected, a double-speed mode can be used. Do not use it when an RC oscillation is selected.

- CPU mode register

Bits 5, 1 and 0 of CPU mode register are used to select oscillation mode and to control operation modes of the microcomputer. In order to prevent the dead-lock by error-writing (ex. program run-away), these bits can be rewritten only once after releasing reset. After rewriting it is disable to write any data to the bit. (The emulator MCU "M37540RSS" is excluded.)

Also, when the read-modify-write instructions (SEB, CLB) are executed to bits 2 to 4, 6 and 7, bits 5, 1 and 0 are locked.

- Clock division ratio, XIN oscillation control, on-chip oscillator control

The state transition shown in Fig. 53 can be performed by setting the clock division ratio selection bits (bits 7 and 6), XIN oscillation control bit (bit 4), on-chip oscillator oscillation control bit (bit 3) of CPU mode register. Be careful of notes on use in Fig. 53.

- On-chip oscillator operation

The clock frequency of the on-chip oscillator depends on the supply voltage and the operation temperature range.

Be careful that variable frequencies when designing application products.

■ Note on Power Source Voltage

When the power source voltage value of a microcomputer is less than the value which is indicated as the recommended operating conditions, the microcomputer does not operate normally and may perform unstable operation.

In a system where the power source voltage drops slowly when the power source voltage drops or the power supply is turned off, reset a microcomputer when the supply voltage is less than the recommended operating conditions and design a system not to cause errors to the system by this unstable operation.

■ Electric Characteristic Differences Among Mask ROM and One Time PROM Version MCUs

There are differences in electric characteristics, operation margin, noise immunity, and noise radiation among mask ROM and One Time PROM version MCUs due to the differences in the manufacturing processes.

When manufacturing an application system with One Time PROM version and then switching to use of the mask ROM version, perform sufficient evaluations for the commercial samples of the mask ROM version.

DATA REQUIRED FOR MASK ORDERS

The following are necessary when ordering a mask ROM production:

- 1.Mask ROM Order Confirmation Form *
- 2.Mark Specification Form *
- 3.Data to be written to ROM, in EPROM form (three identical copies) or one floppy disk.

DATA REQUIRED FOR ROM PROGRAMMING ORDERS

The following are necessary when ordering a One Time PROM production:

- 1.ROM Programming Order Confirmation Form *
- 2.Mark Specification Form *
- 3.Data to be written to ROM, in EPROM form (three identical copies) or one floppy disk.

* For the mask ROM confirmation and the mark specifications, refer to the "Renesas Technology Corp." Homepage (<http://www.renesas.com/en/rom>).

ROM PROGRAMMING METHOD

The built-in PROM of the blank One Time PROM version can be read or programmed with a general-purpose PROM programmer using a special programming adapter. Set the address of PROM programmer in the user ROM area.

Table 7 Special programming adapter

Package	Name of Programming Adapter
32P4B	PCA7435SPG02
32P6U-A	PCA7435GPG03
36P2R-A	PCA7435FPG02

The PROM of the blank One Time PROM version is not tested or screened in the assembly process and following processes. To ensure proper operation after programming, the procedure shown in Figure 54 is recommended to verify programming.

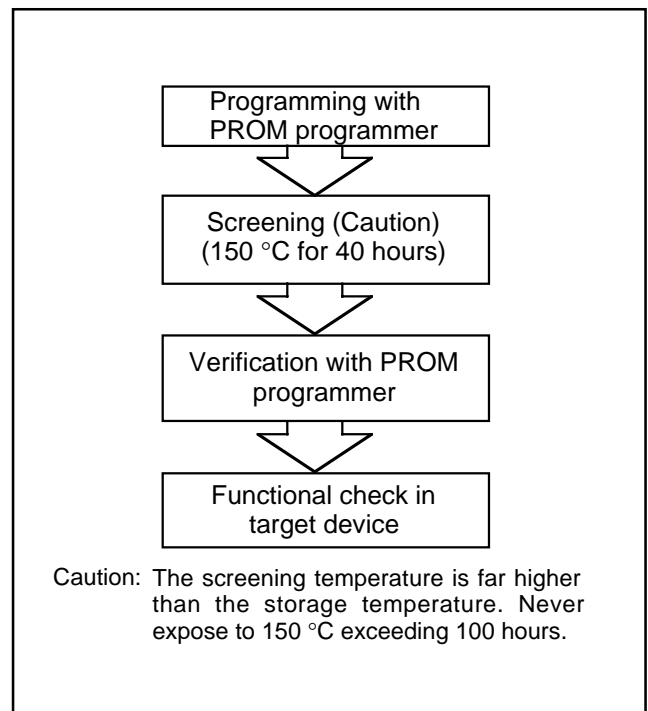


Fig. 54 Programming and testing of One Time PROM version

ELECTRICAL CHARACTERISTICS

1.7540Group (General purpose)

Applied to: M37540M2-XXXFP/SP/GP, M37540M4-XXXFP/SP/GP, M37540E2FP/SP/GP, M37540E8FP/SP/GP

Absolute Maximum Ratings (General purpose)

Table 8 Absolute maximum ratings

Symbol	Parameter	Conditions	Ratings	Unit
V _{CC}	Power source voltage	All voltages are based on V _{SS} . Output transistors are cut off.	-0.3 to 6.5 (Note 1)	V
V _I	Input voltage P00–P07, P10–P14, P20–P27, P30–P37, VREF		-0.3 to V _{CC} + 0.3	V
V _I	Input voltage RESET, XIN		-0.3 to V _{CC} + 0.3	V
V _I	Input voltage CNVSS (Note 2)		-0.3 to 13	V
V _O	Output voltage P00–P07, P10–P14, P20–P27, P30–P37, XOUT		-0.3 to V _{CC} + 0.3	V
P _d	Power dissipation	T _a = 25°C	300 (Note 3)	mW
T _{opr}	Operating temperature		-20 to 85	°C
T _{stg}	Storage temperature		-40 to 125	°C

Notes 1: This is the rating value for the Mask ROM version.

The rating value for the One Time PROM version is -0.3 to 7.0 V.

2: It is a rating only for the One Time PROM version. Connect to V_{SS} for the mask ROM version.

3: 200 mW for the 32P6U package product.

Recommended Operating Conditions (General purpose)

Table 9 Recommended operating conditions (1) (V_{CC} = 2.2 to 5.5 V, T_a = –20 to 85 °C, unless otherwise noted)

Symbol	Parameter	Limits			Unit	
		Min.	Typ.	Max.		
V _{CC}	Power source voltage (ceramic)	f(X _{IN}) = 8 MHz (High-, Middle-speed mode)	4.0	5.0	5.5	V
		f(X _{IN}) = 4 MHz (High-, Middle-speed mode)	2.4	5.0	5.5	V
		f(X _{IN}) = 2 MHz (High-, Middle-speed mode)	2.2	5.0	5.5	V
		f(X _{IN}) = 6 MHz (Double-speed mode)	4.5	5.0	5.5	V
		f(X _{IN}) = 4 MHz (Double-speed mode)	4.0	5.0	5.5	V
		f(X _{IN}) = 2 MHz (Double-speed mode)	2.4	5.0	5.5	V
		f(X _{IN}) = 1 MHz (Double-speed mode)	2.2	5.0	5.5	V
	Power source voltage (RC)	f(X _{IN}) = 4 MHz (High-, Middle-speed mode)	4.0	5.0	5.5	V
		f(X _{IN}) = 2 MHz (High-, Middle-speed mode)	2.4	5.0	5.5	V
f(X _{IN}) = 1 MHz (High-, Middle-speed mode)		2.2	5.0	5.5	V	
V _{SS}	Power source voltage		0		V	
V _{REF}	Analog reference voltage	2.0		V _{CC}	V	
V _{IH}	"H" input voltage P00–P07, P10–P14, P20–P27, P30–P37	0.8V _{CC}		V _{CC}	V	
V _{IH}	"H" input voltage (TTL input level selected) P10, P12, P13, P36, P37 (Note 1)	2.0		V _{CC}	V	
V _{IH}	"H" input voltage RESET, X _{IN}	0.8V _{CC}		V _{CC}	V	
V _{IL}	"L" input voltage P00–P07, P10–P14, P20–P27, P30–P37	0		0.3V _{CC}	V	
V _{IL}	"L" input voltage (TTL input level selected) P10, P12, P13, P36, P37 (Note 1)	0		0.8	V	
V _{IL}	"L" input voltage RESET, CNV _{SS}	0		0.2V _{CC}	V	
V _{IL}	"L" input voltage X _{IN}	0		0.16V _{CC}	V	
ΣI _{OH(peak)}	"H" total peak output current (Note 2) P00–P07, P10–P14, P20–P27, P30–P37			–80	mA	
ΣI _{OL(peak)}	"L" total peak output current (Note 2) P00–P07, P10–P14, P20–P27, P37			80	mA	
ΣI _{OL(peak)}	"L" total peak output current (Note 2) P30–P36			60	mA	
ΣI _{OH(avg)}	"H" total average output current (Note 2) P00–P07, P10–P14, P20–P27, P30–P37			–40	mA	
ΣI _{OL(avg)}	"L" total average output current (Note 2) P00–P07, P10–P14, P20–P27, P37			40	mA	
ΣI _{OL(avg)}	"L" total average output current (Note 2) P30–P36			30	mA	

Note 1: V_{CC} = 4.0 to 5.5V

2: The total output current is the sum of all the currents flowing through all the applicable ports. The total average current is an average value measured over 100 ms. The total peak current is the peak value of all the currents.

Recommended Operating Conditions (General purpose)(continued)

Table 10 Recommended operating conditions (2) (V_{CC} = 2.2 to 5.5 V, T_a = -20 to 85 °C, unless otherwise noted)

Symbol	Parameter		Limits			Unit
			Min.	Typ.	Max.	
I _{OH} (peak)	"H" peak output current (Note 1)	P00–P07, P10–P14, P20–P27, P30–P37			-10	mA
I _{OL} (peak)	"L" peak output current (Note 1)	P00–P07, P10–P14, P20–P27, P37			10	mA
I _{OL} (peak)	"L" peak output current (Note 1)	P30–P36			30	mA
I _{OH} (avg)	"H" average output current (Note 2)	P00–P07, P10–P14, P20–P27, P30–P37			-5	mA
I _{OL} (avg)	"L" average output current (Note 2)	P00–P07, P10–P14, P20–P27, P37			5	mA
I _{OL} (avg)	"L" average output current (Note 2)	P30–P36			15	mA
f(XIN)	Internal clock oscillation frequency (Note 3) at ceramic oscillation or external clock input	V _{CC} = 4.5 to 5.5 V Double-speed mode			6	MHz
		V _{CC} = 4.0 to 5.5 V Double-speed mode			4	MHz
		V _{CC} = 2.4 to 5.5 V Double-speed mode			2	MHz
	Internal clock oscillation frequency (Note 3) at ceramic oscillation or external clock input	V _{CC} = 2.2 to 5.5 V Double-speed mode			1	MHz
		V _{CC} = 4.0 to 5.5 V High-, Middle-speed mode			8	MHz
		V _{CC} = 2.4 to 5.5 V High-, Middle-speed mode			4	MHz
	Internal clock oscillation frequency (Note 3) at ceramic oscillation or external clock input	V _{CC} = 2.2 to 5.5 V High-, Middle-speed mode			2	MHz
		V _{CC} = 4.0 to 5.5 V High-, Middle-speed mode			4	MHz
		V _{CC} = 2.4 to 5.5 V High-, Middle-speed mode			2	MHz
	Internal clock oscillation frequency (Note 3) at RC oscillation	V _{CC} = 2.2 to 5.5 V High-, Middle-speed mode			1	MHz

Notes 1: The peak output current is the peak current flowing in each port.

2: The average output current I_{OL} (avg), I_{OH} (avg) in an average value measured over 100 ms.

3: When the oscillation frequency has a duty cycle of 50 %.

Electrical Characteristics (General purpose)

Table 11 Electrical characteristics (1) ($V_{CC} = 2.2$ to 5.5 V, $V_{SS} = 0$ V, $T_a = -20$ to 85 °C, unless otherwise noted)

Symbol	Parameter	Test conditions	Limits			Unit
			Min.	Typ.	Max.	
VOH	"H" output voltage P00–P07, P10–P14, P20–P27, P30–P37 (Note 1)	IOH = –5 mA VCC = 4.0 to 5.5 V	VCC–1.5			V
		IOH = –1.0 mA VCC = 2.2 to 5.5 V	VCC–1.0			V
VOL	"L" output voltage P00–P07, P10–P14, P20–P27, P37	IOL = 5 mA VCC = 4.0 to 5.5 V			1.5	V
		IOL = 1.5 mA VCC = 4.0 to 5.5 V			0.3	V
		IOL = 1.0 mA VCC = 2.2 to 5.5 V			1.0	V
VOL	"L" output voltage P30–P36	IOL = 15 mA VCC = 4.0 to 5.5 V			2.0	V
		IOL = 1.5 mA VCC = 4.0 to 5.5 V			0.3	V
		IOL = 10 mA VCC = 2.2 to 5.5 V			1.0	V
VT+–VT–	Hysteresis CNTR0, CNTR1, INT0, INT1 (Note 2) P00–P07 (Note 3)			0.4		V
VT+–VT–	Hysteresis RXD, SCLK1, SCLK2, SDATA2 (Note 2)			0.5		V
VT+–VT–	Hysteresis RESET			0.5		V
IiH	"H" input current P00–P07, P10–P14, P20–P27, P30–P37	VI = VCC (Pin floating. Pull up transistors "off")			5.0	μA
IiH	"H" input current RESET	VI = VCC			5.0	μA
IiH	"H" input current XIN	VI = VCC		4.0		μA
IiL	"L" input current P00–P07, P10–P14, P20–P27, P30–P37	VI = VSS (Pin floating. Pull up transistors "off")			–5.0	μA
IiL	"L" input current RESET, CNVSS	VI = VSS			–5.0	μA
IiL	"L" input current XIN	VI = VSS		–4.0		μA
IiL	"L" input current P00–P07, P30–P37	VI = VSS (Pull up transistors "on")		–0.2	–0.5	mA
VRAM	RAM hold voltage	When clock stopped	2.0		5.5	V
ROSC	On-chip oscillator oscillation frequency	VCC = 5.0 V, Ta = 25 °C	1000	2000	3000	kHz
DOSC	Oscillation stop detection circuit detection frequency	VCC = 5.0 V, Ta = 25 °C	62.5	125	187.5	kHz

Notes 1: P11 is measured when the P11/TxD1 P-channel output disable bit of the UART control register (bit 4 of address 001B16) is "0".

2: RXD1, SCLK1, SCLK2, SDATA2, INT0, and INT1 have hysteresises only when bits 0 to 2 of the port P1P3 control register are set to "0" (CMOS level).

3: It is available only when operating key-on wake up.

Electrical Characteristics (General purpose)(continued)

Table 12 Electrical characteristics (2) (V_{CC} = 2.2 to 5.5 V, V_{SS} = 0 V, T_a = -20 to 85 °C, unless otherwise noted)

Symbol	Parameter	Test conditions		Limits			Unit	
				Min.	Typ.	Max.		
ICC	Power source current	One Time PROM version	High-speed mode, f(X _{IN}) = 8 MHz Output transistors "off"			5.0	8.0	mA
			High-speed mode, f(X _{IN}) = 2 MHz, V _{CC} = 2.2 V Output transistors "off"			0.5	1.5	mA
			Double-speed mode, f(X _{IN}) = 6 MHz Output transistors "off"			6.0	10.0	mA
			Middle-speed mode, f(X _{IN}) = 8 MHz Output transistors "off"			2.0	5.0	mA
			On-chip oscillator operation mode, V _{CC} = 5 V Output transistors "off"			350	1000	μA
			f(X _{IN}) = 8 MHz (in WIT state), functions except timer 1 disabled, Output transistors "off"			1.6	3.2	mA
			f(X _{IN}) = 2 MHz, V _{CC} = 2.2 V (in WIT state), functions except timer 1 disabled, Output transistors "off"			0.2		mA
			On-chip oscillator operation mode, V _{CC} = 5V Output transistors "off"			150	450	μA
			Increment when A/D conversion is executed f(X _{IN}) = 8 MHz, V _{CC} = 5 V			0.5		mA
			All oscillation stopped (in STP state) Output transistors "off"		T _a = 25 °C	0.1	1.0	μA
		T _a = 85 °C				10	μA	
		Mask ROM version	High-speed mode, f(X _{IN}) = 8 MHz Output transistors "off"			3.5	6.5	mA
			High-speed mode, f(X _{IN}) = 2 MHz, V _{CC} = 2.2 V Output transistors "off"			0.4	1.2	mA
			Double-speed mode, f(X _{IN}) = 6 MHz Output transistors "off"			4.5	8.0	mA
			Middle-speed mode, f(X _{IN}) = 8 MHz Output transistors "off"			2.0	5.0	mA
			On-chip oscillator operation mode, V _{CC} = 5 V Output transistors "off"			300	900	μA
			f(X _{IN}) = 8 MHz (in WIT state), functions except timer 1 disabled, Output transistors "off"			1.6	3.2	mA
			f(X _{IN}) = 2 MHz, V _{CC} = 2.2 V (in WIT state), functions except timer 1 disabled, Output transistors "off"			0.2		mA
			On-chip oscillator operation mode, V _{CC} = 5V Output transistors "off"			150	450	μA
			Increment when A/D conversion is executed f(X _{IN}) = 8 MHz, V _{CC} = 5 V			0.5		mA
All oscillation stopped (in STP state) Output transistors "off"			T _a = 25 °C	0.1	1.0	μA		
		T _a = 85 °C		10	μA			

A/D Converter Characteristics (General purpose)

Table 13 A/D Converter characteristics
(V_{CC} = 2.7 to 5.5 V, V_{SS} = 0 V, T_a = -20 to 85 °C, unless otherwise noted)

	Symbol	Parameter	Test conditions	Limits			Unit
				Min.	Typ.	Max.	
One Time PROM version	—	Resolution				10	Bits
	—	Linearity error	V _{CC} = 2.7 to 5.5 V T _a = 25 °C			±3	LSB
	—	Differential nonlinear error	V _{CC} = 2.7 to 5.5 V T _a = 25 °C			±0.9	LSB
	VOT	Zero transition voltage	V _{CC} = V _{REF} = 5.12 V	0	5	20	mV
			V _{CC} = V _{REF} = 3.072 V	0	3	15	mV
	VFST	Full scale transition voltage	V _{CC} = V _{REF} = 5.12 V	5105	5115	5125	mV
			V _{CC} = V _{REF} = 3.072 V	3060	3069	3075	mV
	tCONV	Conversion time				122	tc(XIN)
	RLADDER	Ladder resistor			55		kΩ
IVREF	Reference power source input current	V _{REF} = 5.0 V	50	150	200	μA	
		V _{REF} = 3.0 V	50	70	120		
II(AD)	A/D port input current				5.0	μA	
Mask ROM version	—	Resolution				10	Bits
	—	Linearity error	V _{CC} = 2.7 to 5.5 V T _a = 25 °C			±3	LSB
	—	Differential nonlinear error	V _{CC} = 2.7 to 5.5 V T _a = 25 °C			±1.5	LSB
	VOT	Zero transition voltage	V _{CC} = V _{REF} = 5.12 V	0	15	35	mV
			V _{CC} = V _{REF} = 3.072 V	0	9	21	mV
	VFST	Full scale transition voltage	V _{CC} = V _{REF} = 5.12 V	5105	5125	5150	mV
			V _{CC} = V _{REF} = 3.072 V	3060	3075	3090	mV
	tCONV	Conversion time				122	tc(XIN)
	RLADDER	Ladder resistor			55		kΩ
	IVREF	Reference power source input current	V _{REF} = 5.0 V	50	150	200	μA
			V _{REF} = 3.0 V	50	70	120	
II(AD)	A/D port input current				5.0	μA	

Timing Requirements (General purpose)

Table 14 Timing requirements (1) (VCC = 4.0 to 5.5 V, VSS = 0 V, Ta = -20 to 85 °C, unless otherwise noted)

Symbol	Parameter	Limits			Unit
		Min.	Typ.	Max.	
tw(RESET)	Reset input "L" pulse width	2			μs
tc(XIN)	External clock input cycle time	125			ns
tWH(XIN)	External clock input "H" pulse width	50			ns
tWL(XIN)	External clock input "L" pulse width	50			ns
tc(CNTR0)	CNTR0 input cycle time	200			ns
tWH(CNTR0)	CNTR0, INT0, INT1, input "H" pulse width	80			ns
tWL(CNTR0)	CNTR0, INT0, INT1, input "L" pulse width	80			ns
tc(CNTR1)	CNTR1 input cycle time	2000			ns
tWH(CNTR1)	CNTR1 input "H" pulse width	800			ns
tWL(CNTR1)	CNTR1 input "L" pulse width	800			ns
tc(SCLK1)	Serial I/O1 clock input cycle time (Note)	800			ns
tWH(SCLK1)	Serial I/O1 clock input "H" pulse width (Note)	370			ns
tWL(SCLK1)	Serial I/O1 clock input "L" pulse width (Note)	370			ns
tsu(RxD1-SCLK1)	Serial I/O1 input set up time	220			ns
th(SCLK1-RxD1)	Serial I/O1 input hold time	100			ns
tc(SCLK2)	Serial I/O2 clock input cycle time	1000			ns
tWH(SCLK2)	Serial I/O2 clock input "H" pulse width	400			ns
tWL(SCLK2)	Serial I/O2 clock input "L" pulse width	400			ns
tsu(SDATA2-SCLK2)	Serial I/O2 input set up time	200			ns
th(SCLK2-SDATA2)	Serial I/O2 input hold time	200			ns

Note: In this time, bit 6 of the serial I/O1 control register (address 001A16) is set to "1" (clock synchronous serial I/O1 is selected).
When bit 6 of the serial I/O1 control register is "0" (clock asynchronous serial I/O1 is selected), the rating values are divided by 4.

Table 15 Timing requirements (2) (VCC = 2.4 to 5.5 V, VSS = 0 V, Ta = -20 to 85 °C, unless otherwise noted)

Symbol	Parameter	Limits			Unit
		Min.	Typ.	Max.	
tw(RESET)	Reset input "L" pulse width	2			μs
tc(XIN)	External clock input cycle time	250			ns
tWH(XIN)	External clock input "H" pulse width	100			ns
tWL(XIN)	External clock input "L" pulse width	100			ns
tc(CNTR0)	CNTR0 input cycle time	500			ns
tWH(CNTR0)	CNTR0, INT0, INT1, input "H" pulse width	230			ns
tWL(CNTR0)	CNTR0, INT0, INT1, input "L" pulse width	230			ns
tc(CNTR1)	CNTR1 input cycle time	4000			ns
tWH(CNTR1)	CNTR1 input "H" pulse width	1600			ns
tWL(CNTR1)	CNTR1 input "L" pulse width	1600			ns
tc(SCLK1)	Serial I/O1 clock input cycle time (Note)	2000			ns
tWH(SCLK1)	Serial I/O1 clock input "H" pulse width (Note)	950			ns
tWL(SCLK1)	Serial I/O1 clock input "L" pulse width (Note)	950			ns
tsu(RxD1-SCLK1)	Serial I/O1 input set up time	400			ns
th(SCLK1-RxD1)	Serial I/O1 input hold time	200			ns
tc(SCLK2)	Serial I/O2 clock input cycle time	2000			ns
tWH(SCLK2)	Serial I/O2 clock input "H" pulse width	950			ns
tWL(SCLK2)	Serial I/O2 clock input "L" pulse width	950			ns
tsu(SDATA2-SCLK2)	Serial I/O2 input set up time	400			ns
th(SCLK2-SDATA2)	Serial I/O2 input hold time	400			ns

Note: In this time, bit 6 of the serial I/O1 control register (address 001A16) is set to "1" (clock synchronous serial I/O1 is selected).
When bit 6 of the serial I/O1 control register is "0" (clock asynchronous serial I/O1 is selected), the rating values are divided by 4.

Table 16 Timing requirements (3) (Vcc = 2.2 to 5.5 V, Vss = 0 V, Ta = -20 to 85 °C, unless otherwise noted)

Symbol	Parameter	Limits			Unit
		Min.	Typ.	Max.	
t _w (RESE \bar{T})	Reset input "L" pulse width	2			μ s
t _c (XIN)	External clock input cycle time	500			ns
t _{WH} (XIN)	External clock input "H" pulse width	200			ns
t _{WL} (XIN)	External clock input "L" pulse width	200			ns
t _c (CNTR ₀)	CNTR ₀ input cycle time	1000			ns
t _{WH} (CNTR ₀)	CNTR ₀ , INT ₀ , INT ₁ , input "H" pulse width	460			ns
t _{WL} (CNTR ₀)	CNTR ₀ , INT ₀ , INT ₁ , input "L" pulse width	460			ns
t _c (CNTR ₁)	CNTR ₁ input cycle time	8000			ns
t _{WH} (CNTR ₁)	CNTR ₁ input "H" pulse width	3200			ns
t _{WL} (CNTR ₁)	CNTR ₁ input "L" pulse width	3200			ns
t _c (SCLK ₁)	Serial I/O1 clock input cycle time (Note)	4000			ns
t _{WH} (SCLK ₁)	Serial I/O1 clock input "H" pulse width (Note)	1900			ns
t _{WL} (SCLK ₁)	Serial I/O1 clock input "L" pulse width (Note)	1900			ns
t _{su} (RxD ₁ -SCLK ₁)	Serial I/O1 input set up time	800			ns
t _h (SCLK ₁ -RxD ₁)	Serial I/O1 input hold time	400			ns
t _c (SCLK ₂)	Serial I/O2 clock input cycle time	4000			ns
t _{WH} (SCLK ₂)	Serial I/O2 clock input "H" pulse width	1900			ns
t _{WL} (SCLK ₂)	Serial I/O2 clock input "L" pulse width	1900			ns
t _{su} (SDATA ₂ -SCLK ₂)	Serial I/O2 input set up time	800			ns
t _h (SCLK ₂ -SDATA ₂)	Serial I/O2 input hold time	800			ns

Note: In this time, bit 6 of the serial I/O1 control register (address 001A16) is set to "1" (clock synchronous serial I/O1 is selected).

When bit 6 of the serial I/O1 control register is "0" (clock asynchronous serial I/O1 is selected), the rating values are divided by 4.

Switching Characteristics (General purpose)

Table 17 Switching characteristics (1) (Vcc = 4.0 to 5.5 V, Vss = 0 V, Ta = -20 to 85 °C, unless otherwise noted)

Symbol	Parameter	Limits			Unit
		Min.	Typ.	Max.	
t _{WH} (SCLK1)	Serial I/O1 clock output "H" pulse width	t _c (SCLK1)/2-30			ns
t _{WL} (SCLK1)	Serial I/O1 clock output "L" pulse width	t _c (SCLK1)/2-30			ns
t _d (SCLK1-TxD1)	Serial I/O1 output delay time			140	ns
t _v (SCLK1-TxD1)	Serial I/O1 output valid time	-30			ns
t _r (SCLK1)	Serial I/O1 clock output rising time			30	ns
t _f (SCLK1)	Serial I/O1 clock output falling time			30	ns
t _{WH} (SCLK2)	Serial I/O2 clock output "H" pulse width	t _c (SCLK2)/2-30			ns
t _{WL} (SCLK2)	Serial I/O2 clock output "L" pulse width	t _c (SCLK2)/2-30			ns
t _d (SCLK2-SDATA2)	Serial I/O2 output delay time			140	ns
t _v (SCLK2-SDATA2)	Serial I/O2 output valid time	0			ns
t _r (SCLK2)	Serial I/O2 clock output rising time			30	ns
t _f (SCLK2)	Serial I/O2 clock output falling time			30	ns
t _r (CMOS)	CMOS output rising time (Note 1)		10	30	ns
t _f (CMOS)	CMOS output falling time (Note 1)		10	30	ns

Note 1: Pin XOUT is excluded.

Table 18 Switching characteristics (2) (Vcc = 2.4 to 5.5 V, Vss = 0 V, Ta = -20 to 85 °C, unless otherwise noted)

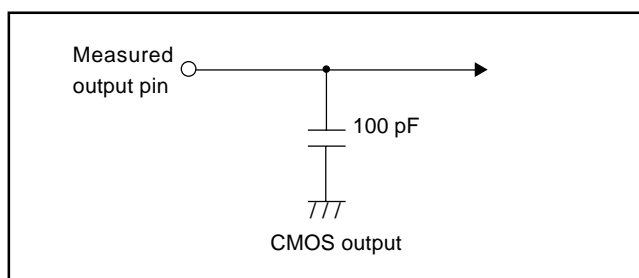
Symbol	Parameter	Limits			Unit
		Min.	Typ.	Max.	
t _{WH} (SCLK1)	Serial I/O1 clock output "H" pulse width	t _c (SCLK1)/2-50			ns
t _{WL} (SCLK1)	Serial I/O1 clock output "L" pulse width	t _c (SCLK1)/2-50			ns
t _d (SCLK1-TxD1)	Serial I/O1 output delay time			350	ns
t _v (SCLK1-TxD1)	Serial I/O1 output valid time	-30			ns
t _r (SCLK1)	Serial I/O1 clock output rising time			50	ns
t _f (SCLK1)	Serial I/O1 clock output falling time			50	ns
t _{WH} (SCLK2)	Serial I/O2 clock output "H" pulse width	t _c (SCLK2)/2-50			ns
t _{WL} (SCLK2)	Serial I/O2 clock output "L" pulse width	t _c (SCLK2)/2-50			ns
t _d (SCLK2-SDATA2)	Serial I/O2 output delay time			350	ns
t _v (SCLK2-SDATA2)	Serial I/O2 output valid time	0			ns
t _r (SCLK2)	Serial I/O2 clock output rising time			50	ns
t _f (SCLK2)	Serial I/O2 clock output falling time			50	ns
t _r (CMOS)	CMOS output rising time (Note 1)		20	50	ns
t _f (CMOS)	CMOS output falling time (Note 1)		20	50	ns

Note 1: Pin XOUT is excluded.

Table 19 Switching characteristics (3) (VCC = 2.2 to 5.5 V, VSS = 0 V, Ta = -20 to 85 °C, unless otherwise noted)

Symbol	Parameter	Limits			Unit
		Min.	Typ.	Max.	
t _{WH} (SCLK1)	Serial I/O1 clock output "H" pulse width	t _c (SCLK1)/2-70			ns
t _{WL} (SCLK1)	Serial I/O1 clock output "L" pulse width	t _c (SCLK1)/2-70			ns
t _d (SCLK1-TxD1)	Serial I/O1 output delay time			450	ns
t _v (SCLK1-TxD1)	Serial I/O1 output valid time	-30			ns
t _r (SCLK1)	Serial I/O1 clock output rising time			70	ns
t _f (SCLK1)	Serial I/O1 clock output falling time			70	ns
t _{WH} (SCLK2)	Serial I/O2 clock output "H" pulse width	t _c (SCLK2)/2-70			ns
t _{WL} (SCLK2)	Serial I/O2 clock output "L" pulse width	t _c (SCLK2)/2-70			ns
t _d (SCLK2-SDATA2)	Serial I/O2 output delay time			450	ns
t _v (SCLK2-SDATA2)	Serial I/O2 output valid time	0			ns
t _r (SCLK2)	Serial I/O2 clock output rising time			70	ns
t _f (SCLK2)	Serial I/O2 clock output falling time			70	ns
t _r (CMOS)	CMOS output rising time (Note 1)		25	70	ns
t _f (CMOS)	CMOS output falling time (Note 1)		25	70	ns

Note 1: Pin XOUT is excluded.



Switching characteristics measurement circuit diagram (General purpose)

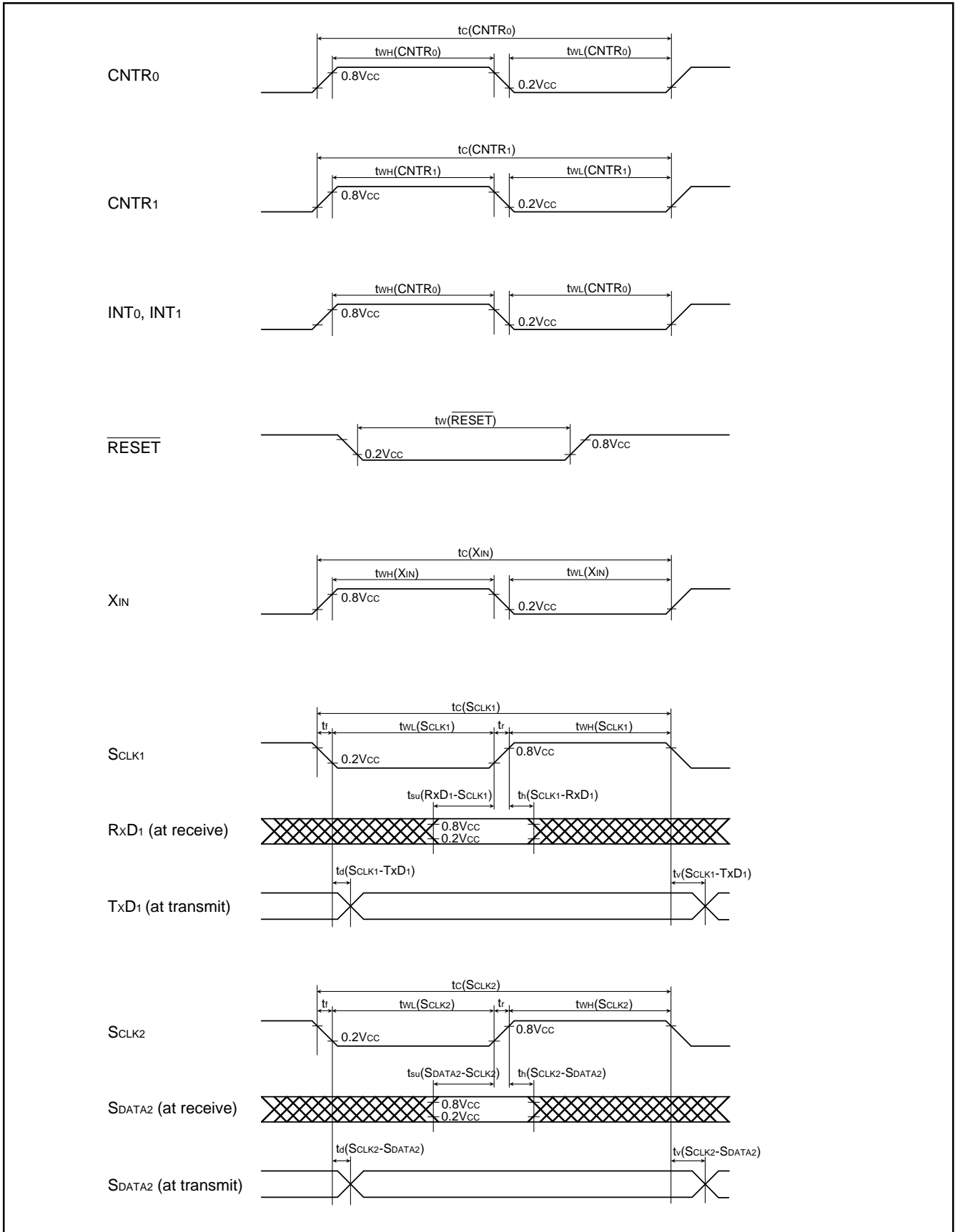


Fig. 55 Timing chart (General purpose)

ELECTRICAL CHARACTERISTICS

2.7540Group (Extended operating temperature version)

Applied to: M37540M2T-XXXFP/GP, M37540M4T-XXXFP/GP, M37540E8T-XXXFP/GP

Absolute Maximum Ratings (Extended operating temperature version)

Table 20 Absolute maximum ratings

Symbol	Parameter	Conditions	Ratings	Unit
VCC	Power source voltage	All voltages are based on VSS. Output transistors are cut off.	-0.3 to 6.5 (Note 1)	V
VI	Input voltage P00-P07, P10-P14, P20-P27, P30-P37, VREF		-0.3 to VCC + 0.3	V
VI	Input voltage RESET, XIN, CNVSS		-0.3 to VCC + 0.3	V
VO	Output voltage P00-P07, P10-P14, P20-P27, P30-P37, XOUT		-0.3 to VCC + 0.3	V
Pd	Power dissipation	Ta = 25°C	300 (Note 2)	mW
Topr	Operating temperature		-40 to 85	°C
Tstg	Storage temperature		-65 to 150	°C

Notes 1: This is the rating value for the Mask ROM version.

The rating value for the One Time PROM version is -0.3 to 7.0 V.

2: 200 mW for the 32P6U package product.

Recommended Operating Conditions (Extended operating temperature version)

Table 21 Recommended operating conditions (1) (V_{CC} = 2.4 to 5.5 V, T_a = -40 to 85 °C, unless otherwise noted)

Symbol	Parameter	Limits			Unit	
		Min.	Typ.	Max.		
V _{CC}	Power source voltage (ceramic)	f(XIN) = 8 MHz (High-, Middle-speed mode)	4.0	5.0	5.5	V
		f(XIN) = 4 MHz (High-, Middle-speed mode)	2.4	5.0	5.5	V
		f(XIN) = 6 MHz (Double-speed mode)	4.5	5.0	5.5	V
		f(XIN) = 4 MHz (Double-speed mode)	4.0	5.0	5.5	V
		f(XIN) = 2 MHz (Double-speed mode)	2.4	5.0	5.5	V
	Power source voltage (RC)	f(XIN) = 4 MHz (High-, Middle-speed mode)	4.0	5.0	5.5	V
f(XIN) = 2 MHz (High-, Middle-speed mode)		2.4	5.0	5.5	V	
V _{SS}	Power source voltage		0		V	
V _{REF}	Analog reference voltage	2.0		V _{CC}	V	
V _{IH}	"H" input voltage P00–P07, P10–P14, P20–P27, P30–P37	0.8V _{CC}		V _{CC}	V	
V _{IH}	"H" input voltage (TTL input level selected) P10, P12, P13, P36, P37 (Note 1)	2.0		V _{CC}	V	
V _{IH}	"H" input voltage RESET, XIN	0.8V _{CC}		V _{CC}	V	
V _{IL}	"L" input voltage P00–P07, P10–P14, P20–P27, P30–P37	0		0.3V _{CC}	V	
V _{IL}	"L" input voltage (TTL input level selected) P10, P12, P13, P36, P37 (Note 1)	0		0.8	V	
V _{IL}	"L" input voltage RESET, CNV _{SS}	0		0.2V _{CC}	V	
V _{IL}	"L" input voltage XIN	0		0.16V _{CC}	V	
ΣI _{OH(peak)}	"H" total peak output current (Note 2) P00–P07, P10–P14, P20–P27, P30–P37			-80	mA	
ΣI _{OL(peak)}	"L" total peak output current (Note 2) P00–P07, P10–P14, P20–P27, P37			80	mA	
ΣI _{OL(peak)}	"L" total peak output current (Note 2) P30–P36			60	mA	
ΣI _{OH(avg)}	"H" total average output current (Note 2) P00–P07, P10–P14, P20–P27, P30–P37			-40	mA	
ΣI _{OL(avg)}	"L" total average output current (Note 2) P00–P07, P10–P14, P20–P27, P37			40	mA	
ΣI _{OL(avg)}	"L" total average output current (Note 2) P30–P36			30	mA	

Note 1: V_{CC} = 4.0 to 5.5V

2: The total output current is the sum of all the currents flowing through all the applicable ports. The total average current is an average value measured over 100 ms. The total peak current is the peak value of all the currents.

Recommended Operating Conditions (Extended operating temperature version)(continued)

Table 22 Recommended operating conditions (2) (V_{CC} = 2.4 to 5.5 V, T_a = -40 to 85 °C, unless otherwise noted)

Symbol	Parameter		Limits			Unit
			Min.	Typ.	Max.	
I _{OH} (peak)	"H" peak output current (Note 1)	P00–P07, P10–P14, P20–P27, P30–P37			-10	mA
I _{OL} (peak)	"L" peak output current (Note 1)	P00–P07, P10–P14, P20–P27, P37			10	mA
I _{OL} (peak)	"L" peak output current (Note 1)	P30–P36			30	mA
I _{OH} (avg)	"H" average output current (Note 2)	P00–P07, P10–P14, P20–P27, P30–P37			-5	mA
I _{OL} (avg)	"L" average output current (Note 2)	P00–P07, P10–P14, P20–P27, P37			5	mA
I _{OL} (avg)	"L" average output current (Note 2)	P30–P36			15	mA
f(XIN)	Internal clock oscillation frequency (Note 3) at ceramic oscillation or external clock input	V _{CC} = 4.5 to 5.5 V Double-speed mode			6	MHz
		V _{CC} = 4.0 to 5.5 V Double-speed mode			4	MHz
	Internal clock oscillation frequency (Note 3) at ceramic oscillation or external clock input	V _{CC} = 2.4 to 5.5 V Double-speed mode			2	MHz
		V _{CC} = 4.0 to 5.5 V High-, Middle-speed mode			8	MHz
	Internal clock oscillation frequency (Note 3) at ceramic oscillation or external clock input	V _{CC} = 2.4 to 5.5 V High-, Middle-speed mode			4	MHz
		V _{CC} = 4.0 to 5.5 V High-, Middle-speed mode			4	MHz
	Internal clock oscillation frequency (Note 3) at RC oscillation	V _{CC} = 4.0 to 5.5 V High-, Middle-speed mode			4	MHz
		V _{CC} = 2.4 to 5.5 V High-, Middle-speed mode			2	MHz

Notes 1: The peak output current is the peak current flowing in each port.

2: The average output current I_{OL} (avg), I_{OH} (avg) in an average value measured over 100 ms.

3: When the oscillation frequency has a duty cycle of 50 %.

Electrical Characteristics (Extended operating temperature version)

Table 23 Electrical characteristics (1) (V_{CC} = 2.4 to 5.5 V, V_{SS} = 0 V, T_a = -40 to 85 °C, unless otherwise noted)

Symbol	Parameter	Test conditions	Limits			Unit
			Min.	Typ.	Max.	
VOH	"H" output voltage P00–P07, P10–P14, P20–P27, P30–P37 (Note 1)	I _{OH} = -5 mA V _{CC} = 4.0 to 5.5 V	V _{CC} -1.5			V
		I _{OH} = -1.0 mA V _{CC} = 2.4 to 5.5 V	V _{CC} -1.0			V
VOL	"L" output voltage P00–P07, P10–P14, P20–P27, P37	I _{OL} = 5 mA V _{CC} = 4.0 to 5.5 V			1.5	V
		I _{OL} = 1.5 mA V _{CC} = 4.0 to 5.5 V			0.3	V
		I _{OL} = 1.0 mA V _{CC} = 2.4 to 5.5 V			1.0	V
VOL	"L" output voltage P30–P36	I _{OL} = 15 mA V _{CC} = 4.0 to 5.5 V			2.0	V
		I _{OL} = 1.5 mA V _{CC} = 4.0 to 5.5 V			0.3	V
		I _{OL} = 10 mA V _{CC} = 2.4 to 5.5 V			1.0	V
VT+–VT-	Hysteresis CNTR0, CNTR1, INT0, INT1 (Note 2) P00–P07 (Note 3)			0.4		V
VT+–VT-	Hysteresis RXD, SCLK1, SCLK2, SDATA2 (Note 2)			0.5		V
VT+–VT-	Hysteresis RESET			0.5		V
I _{IH}	"H" input current P00–P07, P10–P14, P20–P27, P30–P37	V _I = V _{CC} (Pin floating. Pull up transistors "off")			5.0	μA
I _{IH}	"H" input current RESET	V _I = V _{CC}			5.0	μA
I _{IH}	"H" input current XIN	V _I = V _{CC}		4.0		μA
I _{IL}	"L" input current P00–P07, P10–P14, P20–P27, P30–P37	V _I = V _{SS} (Pin floating. Pull up transistors "off")			-5.0	μA
I _{IL}	"L" input current RESET, CNV _{SS}	V _I = V _{SS}			-5.0	μA
I _{IL}	"L" input current XIN	V _I = V _{SS}		-4.0		μA
I _{IL}	"L" input current P00–P07, P30–P37	V _I = V _{SS} (Pull up transistors "on")		-0.2	-0.5	mA
VRAM	RAM hold voltage	When clock stopped	2.0		5.5	V
ROSC	On-chip oscillator oscillation frequency	V _{CC} = 5.0 V, T _a = 25 °C	1000	2000	3000	kHz
DOSC	Oscillation stop detection circuit detection frequency	V _{CC} = 5.0 V, T _a = 25 °C	62.5	125	187.5	kHz

Notes 1: P11 is measured when the P11/TXD1 P-channel output disable bit of the UART control register (bit 4 of address 001B16) is "0".

2: RXD1, SCLK1, SCLK2, SDATA2, INT0, and INT1 have hysteresises only when bits 0 to 2 of the port P1P3 control register are set to "0" (CMOS level).

3: It is available only when operating key-on wake up.

Electrical Characteristics (Extended operating temperature version)(continued)

Table 24 Electrical characteristics (2) (V_{CC} = 2.4 to 5.5 V, V_{SS} = 0 V, T_a = -40 to 85 °C, unless otherwise noted)

Symbol	Test conditions		Limits			Unit
			Min.	Typ.	Max.	
I _{CC}	One Time PROM version	High-speed mode, f(X _{IN}) = 8 MHz Output transistors "off"		5.0	8.0	mA
		High-speed mode, f(X _{IN}) = 2 MHz, V _{CC} = 2.4 V Output transistors "off"		0.5	1.5	mA
		Double-speed mode, f(X _{IN}) = 6 MHz, Output transistors "off"		6.0	10.0	mA
		Middle-speed mode, f(X _{IN}) = 8 MHz, Output transistors "off"		2.0	5.0	mA
		On-chip oscillator operation mode, V _{CC} = 5 V Output transistors "off"		350	1000	μA
		f(X _{IN}) = 8 MHz (in WIT state), functions except timer 1 disabled, Output transistors "off"		1.6	3.2	mA
		f(X _{IN}) = 2 MHz, V _{CC} = 2.4 V (in WIT state), functions except timer 1 disabled, Output transistors "off"		0.2		mA
		On-chip oscillator operation mode, V _{CC} = 5V (in WIT state), functions except timer 1 disabled, Output transistors "off"		150	450	μA
		Increment when A/D conversion is executed f(X _{IN}) = 8 MHz, V _{CC} = 5 V		0.5		mA
		All oscillation stopped (in STP state) Output transistors "off"	T _a = 25 °C	0.1	1.0	μA
		T _a = 85 °C		10	μA	
	Mask ROM version	High-speed mode, f(X _{IN}) = 8 MHz Output transistors "off"		3.5	6.5	mA
		High-speed mode, f(X _{IN}) = 2 MHz, V _{CC} = 2.4 V Output transistors "off"		0.4	1.2	mA
		Double-speed mode, f(X _{IN}) = 6 MHz Output transistors "off"		4.5	8.0	mA
		Middle-speed mode, f(X _{IN}) = 8 MHz Output transistors "off"		2.0	5.0	mA
		On-chip oscillator operation mode, V _{CC} = 5 V Output transistors "off"		300	900	μA
		f(X _{IN}) = 8 MHz (in WIT state), functions except timer 1 disabled, Output transistors "off"		1.6	3.2	mA
		f(X _{IN}) = 2 MHz, V _{CC} = 2.4 V (in WIT state), functions except timer 1 disabled, Output transistors "off"		0.2		mA
		On-chip oscillator operation mode, V _{CC} = 5V (in WIT state), functions except timer 1 disabled, Output transistors "off"		150	450	μA
		Increment when A/D conversion is executed f(X _{IN}) = 8 MHz, V _{CC} = 5 V		0.5		mA
All oscillation stopped (in STP state) Output transistors "off"		T _a = 25 °C	0.1	1.0	μA	
	T _a = 85 °C		10	μA		

A/D Converter Characteristics (Extended operating temperature version)

Table 25 A/D Converter characteristics
(V_{CC} = 2.7 to 5.5 V, V_{SS} = 0 V, T_a = -40 to 85 °C, unless otherwise noted)

	Symbol	Parameter	Test conditions	Limits			Unit
				Min.	Typ.	Max.	
One Time PROM version	—	Resolution				10	Bits
	—	Linearity error	V _{CC} = 2.7 to 5.5 V T _a = 25 °C			±3	LSB
	—	Differential nonlinear error	V _{CC} = 2.7 to 5.5 V T _a = 25 °C			±0.9	LSB
	VOT	Zero transition voltage	V _{CC} = V _{REF} = 5.12 V	0	5	20	mV
			V _{CC} = V _{REF} = 3.072 V	0	3	15	mV
	VFST	Full scale transition voltage	V _{CC} = V _{REF} = 5.12 V	5105	5115	5125	mV
			V _{CC} = V _{REF} = 3.072 V	3060	3069	3075	mV
	tCONV	Conversion time				122	tc(XIN)
	RLADDER	Ladder resistor			55		kΩ
IVREF	Reference power source input current	V _{REF} = 5.0 V	50	150	200	μA	
		V _{REF} = 3.0 V	50	70	120		
II(AD)	A/D port input current				5.0	μA	
Mask ROM version	—	Resolution				10	Bits
	—	Linearity error	V _{CC} = 2.7 to 5.5 V T _a = 25 °C			±3	LSB
	—	Differential nonlinear error	V _{CC} = 2.7 to 5.5 V T _a = 25 °C			±1.5	LSB
	VOT	Zero transition voltage	V _{CC} = V _{REF} = 5.12 V	0	15	35	mV
			V _{CC} = V _{REF} = 3.072 V	0	9	21	mV
	VFST	Full scale transition voltage	V _{CC} = V _{REF} = 5.12 V	5105	5125	5150	mV
			V _{CC} = V _{REF} = 3.072 V	3060	3075	3090	mV
	tCONV	Conversion time				122	tc(XIN)
	RLADDER	Ladder resistor			55		kΩ
	IVREF	Reference power source input current	V _{REF} = 5.0 V	50	150	200	μA
			V _{REF} = 3.0 V	30	70	120	
II(AD)	A/D port input current				5.0	μA	

Timing Requirements (Extended operating temperature version)

Table 26 Timing requirements (1) (Vcc = 4.0 to 5.5 V, Vss = 0 V, Ta = -40 to 85 °C, unless otherwise noted)

Symbol	Parameter	Limits			Unit
		Min.	Typ.	Max.	
tw($\overline{\text{RESET}}$)	Reset input "L" pulse width	2			μs
tc(XIN)	External clock input cycle time	125			ns
twh(XIN)	External clock input "H" pulse width	50			ns
twl(XIN)	External clock input "L" pulse width	50			ns
tc(CNTR0)	CNTR0 input cycle time	200			ns
twh(CNTR0)	CNTR0, INT0, INT1, input "H" pulse width	80			ns
twl(CNTR0)	CNTR0, INT0, INT1, input "L" pulse width	80			ns
tc(CNTR1)	CNTR1 input cycle time	2000			ns
twh(CNTR1)	CNTR1 input "H" pulse width	800			ns
twl(CNTR1)	CNTR1 input "L" pulse width	800			ns
tc(SCLK1)	Serial I/O1 clock input cycle time (Note)	800			ns
twh(SCLK1)	Serial I/O1 clock input "H" pulse width (Note)	370			ns
twl(SCLK1)	Serial I/O1 clock input "L" pulse width (Note)	370			ns
tsu(RxD1-SCLK1)	Serial I/O1 input set up time	220			ns
th(SCLK1-RxD1)	Serial I/O1 input hold time	100			ns
tc(SCLK2)	Serial I/O2 clock input cycle time	1000			ns
twh(SCLK2)	Serial I/O2 clock input "H" pulse width	400			ns
twl(SCLK2)	Serial I/O2 clock input "L" pulse width	400			ns
tsu(SDATA2-SCLK2)	Serial I/O2 input set up time	200			ns
th(SCLK2-SDATA2)	Serial I/O2 input hold time	200			ns

Note: In this time, bit 6 of the serial I/O1 control register (address 001A16) is set to "1" (clock synchronous serial I/O1 is selected).
When bit 6 of the serial I/O1 control register is "0" (clock asynchronous serial I/O1 is selected), the rating values are divided by 4.

Table 27 Timing requirements (2) (Vcc = 2.4 to 5.5 V, Vss = 0 V, Ta = -40 to 85 °C, unless otherwise noted)

Symbol	Parameter	Limits			Unit
		Min.	Typ.	Max.	
tw($\overline{\text{RESET}}$)	Reset input "L" pulse width	2			μs
tc(XIN)	External clock input cycle time	250			ns
twh(XIN)	External clock input "H" pulse width	100			ns
twl(XIN)	External clock input "L" pulse width	100			ns
tc(CNTR0)	CNTR0 input cycle time	500			ns
twh(CNTR0)	CNTR0, INT0, INT1, input "H" pulse width	230			ns
twl(CNTR0)	CNTR0, INT0, INT1, input "L" pulse width	230			ns
tc(CNTR1)	CNTR1 input cycle time	4000			ns
twh(CNTR1)	CNTR1 input "H" pulse width	1600			ns
twl(CNTR1)	CNTR1 input "L" pulse width	1600			ns
tc(SCLK1)	Serial I/O1 clock input cycle time (Note)	2000			ns
twh(SCLK1)	Serial I/O1 clock input "H" pulse width (Note)	950			ns
twl(SCLK1)	Serial I/O1 clock input "L" pulse width (Note)	950			ns
tsu(RxD1-SCLK1)	Serial I/O1 input set up time	400			ns
th(SCLK1-RxD1)	Serial I/O1 input hold time	200			ns
tc(SCLK2)	Serial I/O2 clock input cycle time	2000			ns
twh(SCLK2)	Serial I/O2 clock input "H" pulse width	950			ns
twl(SCLK2)	Serial I/O2 clock input "L" pulse width	950			ns
tsu(SDATA2-SCLK2)	Serial I/O2 input set up time	400			ns
th(SCLK2-SDATA2)	Serial I/O2 input hold time	400			ns

Note: In this time, bit 6 of the serial I/O1 control register (address 001A16) is set to "1" (clock synchronous serial I/O1 is selected).
When bit 6 of the serial I/O1 control register is "0" (clock asynchronous serial I/O1 is selected), the rating values are divided by 4.

Switching Characteristics (Extended operating temperature version)

Table 28 Switching characteristics (1) (V_{CC} = 4.0 to 5.5 V, V_{SS} = 0 V, T_a = -40 to 85 °C, unless otherwise noted)

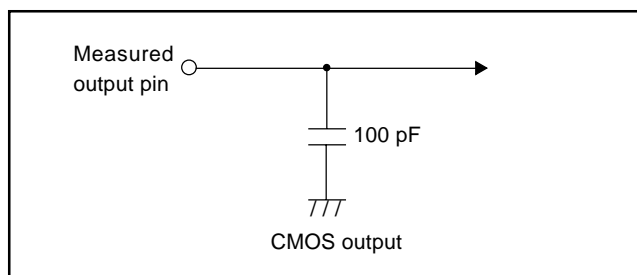
Symbol	Parameter	Limits			Unit
		Min.	Typ.	Max.	
t _{WH} (SCLK1)	Serial I/O1 clock output "H" pulse width	t _c (SCLK1)/2-30			ns
t _{WL} (SCLK1)	Serial I/O1 clock output "L" pulse width	t _c (SCLK1)/2-30			ns
t _d (SCLK1-TxD1)	Serial I/O1 output delay time			140	ns
t _v (SCLK1-TxD1)	Serial I/O1 output valid time	-30			ns
t _r (SCLK1)	Serial I/O1 clock output rising time			30	ns
t _f (SCLK1)	Serial I/O1 clock output falling time			30	ns
t _{WH} (SCLK2)	Serial I/O2 clock output "H" pulse width	t _c (SCLK2)/2-30			ns
t _{WL} (SCLK2)	Serial I/O2 clock output "L" pulse width	t _c (SCLK2)/2-30			ns
t _d (SCLK2-SDATA2)	Serial I/O2 output delay time			140	ns
t _v (SCLK2-SDATA2)	Serial I/O2 output valid time	0			ns
t _r (SCLK2)	Serial I/O2 clock output rising time			30	ns
t _f (SCLK2)	Serial I/O2 clock output falling time			30	ns
t _r (CMOS)	CMOS output rising time (Note 1)		10	30	ns
t _f (CMOS)	CMOS output falling time (Note 1)		10	30	ns

Note 1: Pin XOUT is excluded.

Table 29 Switching characteristics (2) (V_{CC} = 2.4 to 5.5 V, V_{SS} = 0 V, T_a = -40 to 85 °C, unless otherwise noted)

Symbol	Parameter	Limits			Unit
		Min.	Typ.	Max.	
t _{WH} (SCLK1)	Serial I/O1 clock output "H" pulse width	t _c (SCLK1)/2-50			ns
t _{WL} (SCLK1)	Serial I/O1 clock output "L" pulse width	t _c (SCLK1)/2-50			ns
t _d (SCLK1-TxD1)	Serial I/O1 output delay time			350	ns
t _v (SCLK1-TxD1)	Serial I/O1 output valid time	-30			ns
t _r (SCLK1)	Serial I/O1 clock output rising time			50	ns
t _f (SCLK1)	Serial I/O1 clock output falling time			50	ns
t _{WH} (SCLK2)	Serial I/O2 clock output "H" pulse width	t _c (SCLK2)/2-50			ns
t _{WL} (SCLK2)	Serial I/O2 clock output "L" pulse width	t _c (SCLK2)/2-50			ns
t _d (SCLK2-SDATA2)	Serial I/O2 output delay time			350	ns
t _v (SCLK2-SDATA2)	Serial I/O2 output valid time	0			ns
t _r (SCLK2)	Serial I/O2 clock output rising time			50	ns
t _f (SCLK2)	Serial I/O2 clock output falling time			50	ns
t _r (CMOS)	CMOS output rising time (Note 1)		20	50	ns
t _f (CMOS)	CMOS output falling time (Note 1)		20	50	ns

Note 1: Pin XOUT is excluded.



Switching characteristics measurement circuit diagram (General purpose)

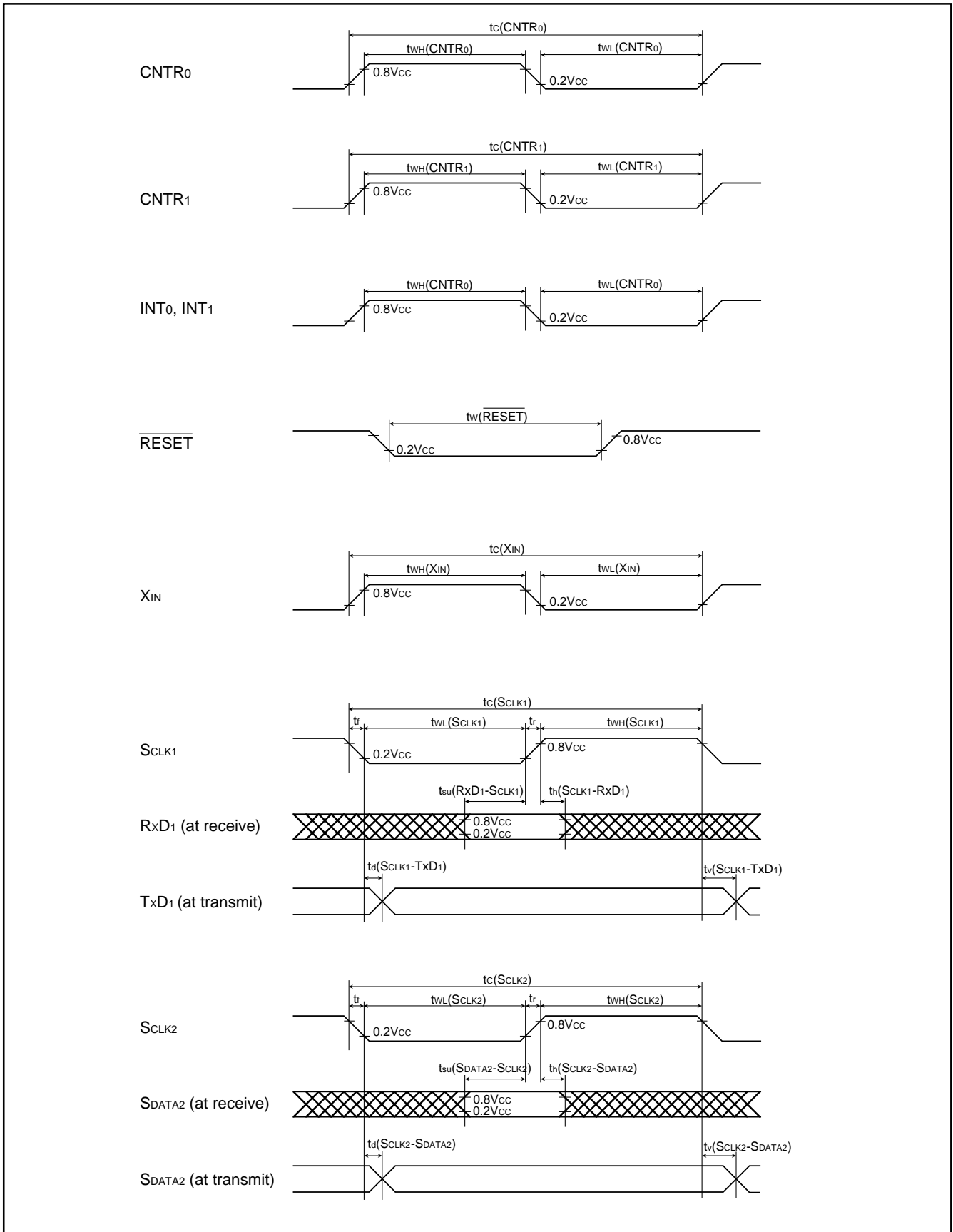


Fig. 56 Timing chart (Extended operating temperature version)

ELECTRICAL CHARACTERISTICS

3.7540Group (Extended operating temperature 125 °C version)

Applied to: M37540M2V-XXXFP/GP, M37540M4V-XXXFP/GP, M37540E8V-XXXFP/GP

Absolute Maximum Ratings (Extended operating temperature 125 °C version)

Table 30 Absolute maximum ratings

Symbol	Parameter	Conditions	Ratings	Unit
VCC	Power source voltage	All voltages are based on VSS. Output transistors are cut off.	-0.3 to 6.5 (Note 1)	V
VI	Input voltage P00–P07, P10–P14, P20–P27, P30–P37, VREF		-0.3 to VCC + 0.3	V
VI	Input voltage RESET, XIN, CNVSS		-0.3 to VCC + 0.3	V
VO	Output voltage P00–P07, P10–P14, P20–P27, P30–P37, XOUT		-0.3 to VCC + 0.3	V
Pd	Power dissipation	Ta = 25°C	300 (Note 2)	mW
Topr	Operating temperature		-40 to 125 (Note 3)	°C
Tstg	Storage temperature		-65 to 150	°C

Notes 1: This is the rating value for the Mask ROM version.

The rating value for the One Time PROM version is -0.3 to 7.0 V.

2: 200 mW for the 32P6U package product.

3: In this version, the operating temperature range and total time are limited as follows;

55 °C to 85 °C: within total 6000 hours,

85 °C to 125 °C: within total 1000 hours.

Recommended Operating Conditions (Extended operating temperature 125 °C version)

Table 31 Recommended operating conditions (1) (V_{CC} = 2.4 to 5.5 V, T_a = -40 to 125 °C, unless otherwise noted)

Symbol	Parameter	Limits			Unit	
		Min.	Typ.	Max.		
V _{CC}	Power source voltage (ceramic)	f(X _{IN}) = 8 MHz (High-, Middle-speed mode)	4.0	5.0	5.5	V
		f(X _{IN}) = 4 MHz (High-, Middle-speed mode)	2.4	5.0	5.5	V
		f(X _{IN}) = 4 MHz (Double-speed mode)	4.0	5.0	5.5	V
		f(X _{IN}) = 2 MHz (Double-speed mode)	2.4	5.0	5.5	V
	Power source voltage (RC)	f(X _{IN}) = 4 MHz (High-, Middle-speed mode)	4.0	5.0	5.5	V
		f(X _{IN}) = 2 MHz (High-, Middle-speed mode)	2.4	5.0	5.5	V
V _{SS}	Power source voltage		0		V	
V _{REF}	Analog reference voltage	2.0		V _{CC}	V	
V _{IH}	"H" input voltage P00–P07, P10–P14, P20–P27, P30–P37	0.8V _{CC}		V _{CC}	V	
V _{IH}	"H" input voltage (TTL input level selected) P10, P12, P13, P36, P37 (Note 1)	2.0		V _{CC}	V	
V _{IH}	"H" input voltage <u>RESET</u> , X _{IN}	0.8V _{CC}		V _{CC}	V	
V _{IL}	"L" input voltage P00–P07, P10–P14, P20–P27, P30–P37	0		0.3V _{CC}	V	
V _{IL}	"L" input voltage (TTL input level selected) P10, P12, P13, P36, P37 (Note 1)	0		0.8	V	
V _{IL}	"L" input voltage <u>RESET</u> , CNV _{SS}	0		0.2V _{CC}	V	
V _{IL}	"L" input voltage X _{IN}	0		0.16V _{CC}	V	
∑I _{OH(peak)}	"H" total peak output current (Note 2) P00–P07, P10–P14, P20–P27, P30–P37			-80	mA	
∑I _{OL(peak)}	"L" total peak output current (Note 2) P00–P07, P10–P14, P20–P27, P37			80	mA	
∑I _{OL(peak)}	"L" total peak output current (Note 2) P30–P36			60	mA	
∑I _{OH(avg)}	"H" total average output current (Note 2) P00–P07, P10–P14, P20–P27, P30–P37			-40	mA	
∑I _{OL(avg)}	"L" total average output current (Note 2) P00–P07, P10–P14, P20–P27, P37			40	mA	
∑I _{OL(avg)}	"L" total average output current (Note 2) P30–P36			30	mA	

Note 1: V_{CC} = 4.0 to 5.5V

2: The total output current is the sum of all the currents flowing through all the applicable ports. The total average current is an average value measured over 100 ms. The total peak current is the peak value of all the currents.

Recommended Operating Conditions (Extended operating temperature 125 °C version) (continued)

Table 32 Recommended operating conditions (2) (V_{CC} = 2.4 to 5.5 V, T_a = -40 to 125 °C, unless otherwise noted)

Symbol	Parameter		Limits			Unit
			Min.	Typ.	Max.	
I _{OH} (peak)	"H" peak output current (Note 1)	P00–P07, P10–P14, P20–P27, P30–P37			-10	mA
I _{OL} (peak)	"L" peak output current (Note 1)	P00–P07, P10–P14, P20–P27, P37			10	mA
I _{OL} (peak)	"L" peak output current (Note 1)	P30–P36			30	mA
I _{OH} (avg)	"H" average output current (Note 2)	P00–P07, P10–P14, P20–P27, P30–P37			-5	mA
I _{OL} (avg)	"L" average output current (Note 2)	P00–P07, P10–P14, P20–P27, P37			5	mA
I _{OL} (avg)	"L" average output current (Note 2)	P30–P36			15	mA
f(XIN)	Internal clock oscillation frequency (Note 3) at ceramic oscillation or external clock input	V _{CC} = 4.0 to 5.5 V Double-speed mode			4	MHz
		V _{CC} = 2.4 to 5.5 V Double-speed mode			2	MHz
	Internal clock oscillation frequency (Note 3) at ceramic oscillation or external clock input	V _{CC} = 4.0 to 5.5 V High-, Middle-speed mode			8	MHz
		V _{CC} = 2.4 to 5.5 V High-, Middle-speed mode			4	MHz
	Internal clock oscillation frequency (Note 3) at RC oscillation	V _{CC} = 4.0 to 5.5 V High-, Middle-speed mode			4	MHz
		V _{CC} = 2.4 to 5.5 V High-, Middle-speed mode			2	MHz

Notes 1: The peak output current is the peak current flowing in each port.

2: The average output current I_{OL} (avg), I_{OH} (avg) in an average value measured over 100 ms.

3: When the oscillation frequency has a duty cycle of 50 %.

Electrical Characteristics (Extended operating temperature 125 °C version)

Table 33 Electrical characteristics (1) (V_{CC} = 2.4 to 5.5 V, V_{SS} = 0 V, T_a = -40 to 125 °C, unless otherwise noted)

Symbol	Parameter	Test conditions	Limits			Unit
			Min.	Typ.	Max.	
VOH	"H" output voltage P00–P07, P10–P14, P20–P27, P30–P37 (Note 1)	IOH = -5 mA VCC = 4.0 to 5.5 V	VCC-1.5			V
		IOH = -1.0 mA VCC = 2.4 to 5.5 V	VCC-1.0			V
VOL	"L" output voltage P00–P07, P10–P14, P20–P27, P37	IOL = 5 mA VCC = 4.0 to 5.5 V			1.5	V
		IOL = 1.5 mA VCC = 4.0 to 5.5 V			0.3	V
		IOL = 1.0 mA VCC = 2.4 to 5.5 V			1.0	V
VOL	"L" output voltage P30–P36	IOL = 15 mA VCC = 4.0 to 5.5 V			2.0	V
		IOL = 1.5 mA VCC = 4.0 to 5.5 V			0.3	V
		IOL = 10 mA VCC = 2.4 to 5.5 V			1.0	V
VT+–VT-	Hysteresis CNTR0, CNTR1, INT0, INT1 (Note 2) P00–P07 (Note 3)			0.4		V
VT+–VT-	Hysteresis RXD, SCLK1, SCLK2, SDATA2 (Note 2)			0.5		V
VT+–VT-	Hysteresis RESET			0.5		V
IiH	"H" input current P00–P07, P10–P14, P20–P27, P30–P37	VI = VCC (Pin floating. Pull up transistors "off")			5.0	μA
IiH	"H" input current RESET	VI = VCC			5.0	μA
IiH	"H" input current XIN	VI = VCC		4.0		μA
IiL	"L" input current P00–P07, P10–P14, P20–P27, P30–P37	VI = VSS (Pin floating. Pull up transistors "off")			-5.0	μA
IiL	"L" input current RESET, CNVSS	VI = VSS			-5.0	μA
IiL	"L" input current XIN	VI = VSS		-4.0		μA
IiL	"L" input current P00–P07, P30–P37	VI = VSS (Pull up transistors "on")		-0.2	-0.5	mA
VRAM	RAM hold voltage	When clock stopped	2.0		5.5	V
ROSC	On-chip oscillator oscillation frequency	VCC = 5.0 V, Ta = 25 °C	1000	2000	3000	kHz
DOSC	Oscillation stop detection circuit detection frequency	VCC = 5.0 V, Ta = 25 °C	62.5	125	187.5	kHz

Notes 1: P11 is measured when the P11/TxD1 P-channel output disable bit of the UART control register (bit 4 of address 001B16) is "0".

2: RXD1, SCLK1, SCLK2, SDATA2, INT0, and INT1 have hysteresises only when bits 0 to 2 of the port P1P3 control register are set to "0" (CMOS level).

3: It is available only when operating key-on wake up.

Electrical Characteristics (Extended operating temperature 125°C version)(continued)

Table 34 Electrical characteristics (2) (V_{CC} = 2.4 to 5.5 V, V_{SS} = 0 V, T_a = -40 to 125 °C, unless otherwise noted)

Symbol	Test conditions		Limits			Unit
			Min.	Typ.	Max.	
I _{CC}	One Time PROM version	High-speed mode, f(X _{IN}) = 8 MHz Output transistors "off"		5.0	8.0	mA
		High-speed mode, f(X _{IN}) = 2 MHz, V _{CC} = 2.4 V Output transistors "off"		0.5	1.5	mA
		Middle-speed mode, f(X _{IN}) = 8 MHz, Output transistors "off"		2.0	5.0	mA
		On-chip oscillator operation mode, V _{CC} = 5 V Output transistors "off"		350	1000	μA
		f(X _{IN}) = 8 MHz (in WIT state), functions except timer 1 disabled, Output transistors "off"		1.6	3.2	mA
		f(X _{IN}) = 2 MHz, V _{CC} = 2.4 V (in WIT state), functions except timer 1 disabled, Output transistors "off"		0.2		mA
		On-chip oscillator operation mode, V _{CC} = 5V (in WIT state), functions except timer 1 disabled, Output transistors "off"		150	450	μA
		Increment when A/D conversion is executed f(X _{IN}) = 8 MHz, V _{CC} = 5 V		0.5		mA
		All oscillation stopped (in STP state) Output transistors "off"	T _a = 25 °C	0.1	1.0	μA
		T _a = 125 °C		50	μA	
	Mask ROM version	High-speed mode, f(X _{IN}) = 8 MHz Output transistors "off"		3.5	6.5	mA
		High-speed mode, f(X _{IN}) = 2 MHz, V _{CC} = 2.4 V Output transistors "off"		0.4	1.2	mA
		Middle-speed mode, f(X _{IN}) = 8 MHz, Output transistors "off"		2.0	5.0	mA
		On-chip oscillator operation mode, V _{CC} = 5 V Output transistors "off"		300	900	μA
		f(X _{IN}) = 8 MHz (in WIT state), functions except timer 1 disabled, Output transistors "off"		1.6	3.2	mA
		f(X _{IN}) = 2 MHz, V _{CC} = 2.4 V (in WIT state), functions except timer 1 disabled, Output transistors "off"		0.2		mA
		On-chip oscillator operation mode, V _{CC} = 5V (in WIT state), functions except timer 1 disabled, Output transistors "off"		150	450	μA
		Increment when A/D conversion is executed f(X _{IN}) = 8 MHz, V _{CC} = 5 V		0.5		mA
All oscillation stopped (in STP state) Output transistors "off"		T _a = 25 °C	0.1	1.0	μA	
	T _a = 125 °C		50	μA		

A/D Converter Characteristics (Extended operating temperature 125 °C version)

Table 35 A/D Converter characteristics
(V_{CC} = 2.7 to 5.5 V, V_{SS} = 0 V, T_a = -40 to 125 °C, unless otherwise noted)

	Symbol	Parameter	Test conditions	Limits			Unit
				Min.	Typ.	Max.	
One Time PROM version	—	Resolution				10	Bits
	—	Linearity error	V _{CC} = 2.7 to 5.5 V T _a = 25 °C			±3	LSB
	—	Differential nonlinear error	V _{CC} = 2.7 to 5.5 V T _a = 25 °C			±0.9	LSB
	VOT	Zero transition voltage	V _{CC} = V _{REF} = 5.12 V	0	5	20	mV
			V _{CC} = V _{REF} = 3.072 V	0	3	15	mV
	VFST	Full scale transition voltage	V _{CC} = V _{REF} = 5.12 V	5105	5115	5125	mV
			V _{CC} = V _{REF} = 3.072 V	3060	3069	3075	mV
	tCONV	Conversion time				122	tc(XIN)
	RLADDER	Ladder resistor			55		kΩ
	IVREF	Reference power source input current	V _{REF} = 5.0 V	50	150	200	μA
		V _{REF} = 3.0 V	30	70	120		
II(AD)	A/D port input current				7.0	μA	
Mask ROM version	—	Resolution				10	Bits
	—	Linearity error	V _{CC} = 2.7 to 5.5 V T _a = 25 °C			±3	LSB
	—	Differential nonlinear error	V _{CC} = 2.7 to 5.5 V T _a = 25 °C			±1.5	LSB
	VOT	Zero transition voltage	V _{CC} = V _{REF} = 5.12 V	0	15	35	mV
			V _{CC} = V _{REF} = 3.072 V	0	9	21	mV
	VFST	Full scale transition voltage	V _{CC} = V _{REF} = 5.12 V	5105	5125	5150	mV
			V _{CC} = V _{REF} = 3.072 V	3060	3075	3090	mV
	tCONV	Conversion time				122	tc(XIN)
	RLADDER	Ladder resistor			55		kΩ
	IVREF	Reference power source input current	V _{REF} = 5.0 V	50	150	200	μA
		V _{REF} = 3.0 V	30	70	120		
II(AD)	A/D port input current				7.0	μA	

Timing Requirements (Extended operating temperature 125 °C version)

Table 36 Timing requirements (1) (Vcc = 4.0 to 5.5 V, Vss = 0 V, Ta = –40 to 125 °C, unless otherwise noted)

Symbol	Parameter	Limits			Unit
		Min.	Typ.	Max.	
tw($\overline{\text{RESET}}$)	Reset input "L" pulse width	2			μs
tc(XIN)	External clock input cycle time	125			ns
tWH(XIN)	External clock input "H" pulse width	50			ns
tWL(XIN)	External clock input "L" pulse width	50			ns
tc(CNTR0)	CNTR0 input cycle time	200			ns
tWH(CNTR0)	CNTR0, INT0, INT1, input "H" pulse width	80			ns
tWL(CNTR0)	CNTR0, INT0, INT1, input "L" pulse width	80			ns
tc(CNTR1)	CNTR1 input cycle time	2000			ns
tWH(CNTR1)	CNTR1 input "H" pulse width	800			ns
tWL(CNTR1)	CNTR1 input "L" pulse width	800			ns
tc(SCLK1)	Serial I/O1 clock input cycle time (Note)	800			ns
tWH(SCLK1)	Serial I/O1 clock input "H" pulse width (Note)	370			ns
tWL(SCLK1)	Serial I/O1 clock input "L" pulse width (Note)	370			ns
tsu(RxD1–SCLK1)	Serial I/O1 input set up time	220			ns
th(SCLK1–RxD1)	Serial I/O1 input hold time	100			ns
tc(SCLK2)	Serial I/O2 clock input cycle time	1000			ns
tWH(SCLK2)	Serial I/O2 clock input "H" pulse width	400			ns
tWL(SCLK2)	Serial I/O2 clock input "L" pulse width	400			ns
tsu(SDATA2–SCLK2)	Serial I/O2 input set up time	200			ns
th(SCLK2–SDATA2)	Serial I/O2 input hold time	200			ns

Note: In this time, bit 6 of the serial I/O1 control register (address 001A16) is set to "1" (clock synchronous serial I/O1 is selected).
When bit 6 of the serial I/O1 control register is "0" (clock asynchronous serial I/O1 is selected), the rating values are divided by 4.

Table 37 Timing requirements (2) (Vcc = 2.4 to 5.5 V, Vss = 0 V, Ta = –40 to 125 °C, unless otherwise noted)

Symbol	Parameter	Limits			Unit
		Min.	Typ.	Max.	
tw($\overline{\text{RESET}}$)	Reset input "L" pulse width	2			μs
tc(XIN)	External clock input cycle time	250			ns
tWH(XIN)	External clock input "H" pulse width	100			ns
tWL(XIN)	External clock input "L" pulse width	100			ns
tc(CNTR0)	CNTR0 input cycle time	500			ns
tWH(CNTR0)	CNTR0, INT0, INT1, input "H" pulse width	230			ns
tWL(CNTR0)	CNTR0, INT0, INT1, input "L" pulse width	230			ns
tc(CNTR1)	CNTR1 input cycle time	4000			ns
tWH(CNTR1)	CNTR1 input "H" pulse width	1600			ns
tWL(CNTR1)	CNTR1 input "L" pulse width	1600			ns
tc(SCLK1)	Serial I/O1 clock input cycle time (Note)	2000			ns
tWH(SCLK1)	Serial I/O1 clock input "H" pulse width (Note)	950			ns
tWL(SCLK1)	Serial I/O1 clock input "L" pulse width (Note)	950			ns
tsu(RxD1–SCLK1)	Serial I/O1 input set up time	400			ns
th(SCLK1–RxD1)	Serial I/O1 input hold time	200			ns
tc(SCLK2)	Serial I/O2 clock input cycle time	2000			ns
tWH(SCLK2)	Serial I/O2 clock input "H" pulse width	950			ns
tWL(SCLK2)	Serial I/O2 clock input "L" pulse width	950			ns
tsu(SDATA2–SCLK2)	Serial I/O2 input set up time	400			ns
th(SCLK2–SDATA2)	Serial I/O2 input hold time	400			ns

Note: In this time, bit 6 of the serial I/O1 control register (address 001A16) is set to "1" (clock synchronous serial I/O1 is selected).
When bit 6 of the serial I/O1 control register is "0" (clock asynchronous serial I/O1 is selected), the rating values are divided by 4.

Switching Characteristics (Extended operating temperature 125 °C version)

Table 38 Switching characteristics (1) (Vcc = 4.0 to 5.5 V, Vss = 0 V, Ta = -40 to 125 °C, unless otherwise noted)

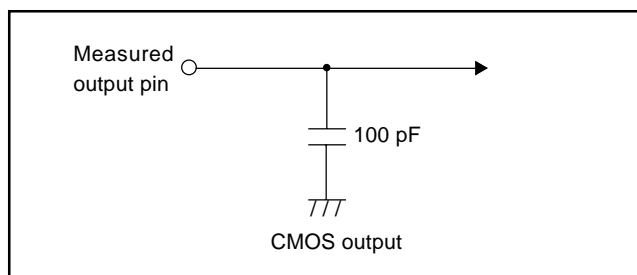
Symbol	Parameter	Limits			Unit
		Min.	Typ.	Max.	
t _{WH} (SCLK1)	Serial I/O1 clock output "H" pulse width	t _c (SCLK1)/2-30			ns
t _{WL} (SCLK1)	Serial I/O1 clock output "L" pulse width	t _c (SCLK1)/2-30			ns
t _d (SCLK1-TxD1)	Serial I/O1 output delay time			140	ns
t _v (SCLK1-TxD1)	Serial I/O1 output valid time	-30			ns
t _r (SCLK1)	Serial I/O1 clock output rising time			30	ns
t _f (SCLK1)	Serial I/O1 clock output falling time			30	ns
t _{WH} (SCLK2)	Serial I/O2 clock output "H" pulse width	t _c (SCLK2)/2-30			ns
t _{WL} (SCLK2)	Serial I/O2 clock output "L" pulse width	t _c (SCLK2)/2-30			ns
t _d (SCLK2-SDATA2)	Serial I/O2 output delay time			140	ns
t _v (SCLK2-SDATA2)	Serial I/O2 output valid time	0			ns
t _r (SCLK2)	Serial I/O2 clock output rising time			30	ns
t _f (SCLK2)	Serial I/O2 clock output falling time			30	ns
t _r (CMOS)	CMOS output rising time (Note 1)		10	30	ns
t _f (CMOS)	CMOS output falling time (Note 1)		10	30	ns

Note 1: Pin XOUT is excluded.

Table 39 Switching characteristics (2) (Vcc = 2.4 to 5.5 V, Vss = 0 V, Ta = -40 to 125 °C, unless otherwise noted)

Symbol	Parameter	Limits			Unit
		Min.	Typ.	Max.	
t _{WH} (SCLK1)	Serial I/O1 clock output "H" pulse width	t _c (SCLK1)/2-50			ns
t _{WL} (SCLK1)	Serial I/O1 clock output "L" pulse width	t _c (SCLK1)/2-50			ns
t _d (SCLK1-TxD1)	Serial I/O1 output delay time			350	ns
t _v (SCLK1-TxD1)	Serial I/O1 output valid time	-30			ns
t _r (SCLK1)	Serial I/O1 clock output rising time			50	ns
t _f (SCLK1)	Serial I/O1 clock output falling time			50	ns
t _{WH} (SCLK2)	Serial I/O2 clock output "H" pulse width	t _c (SCLK2)/2-50			ns
t _{WL} (SCLK2)	Serial I/O2 clock output "L" pulse width	t _c (SCLK2)/2-50			ns
t _d (SCLK2-SDATA2)	Serial I/O2 output delay time			350	ns
t _v (SCLK2-SDATA2)	Serial I/O2 output valid time	0			ns
t _r (SCLK2)	Serial I/O2 clock output rising time			50	ns
t _f (SCLK2)	Serial I/O2 clock output falling time			50	ns
t _r (CMOS)	CMOS output rising time (Note 1)		20	50	ns
t _f (CMOS)	CMOS output falling time (Note 1)		20	50	ns

Note 1: Pin XOUT is excluded.



Switching characteristics measurement circuit diagram (General purpose)

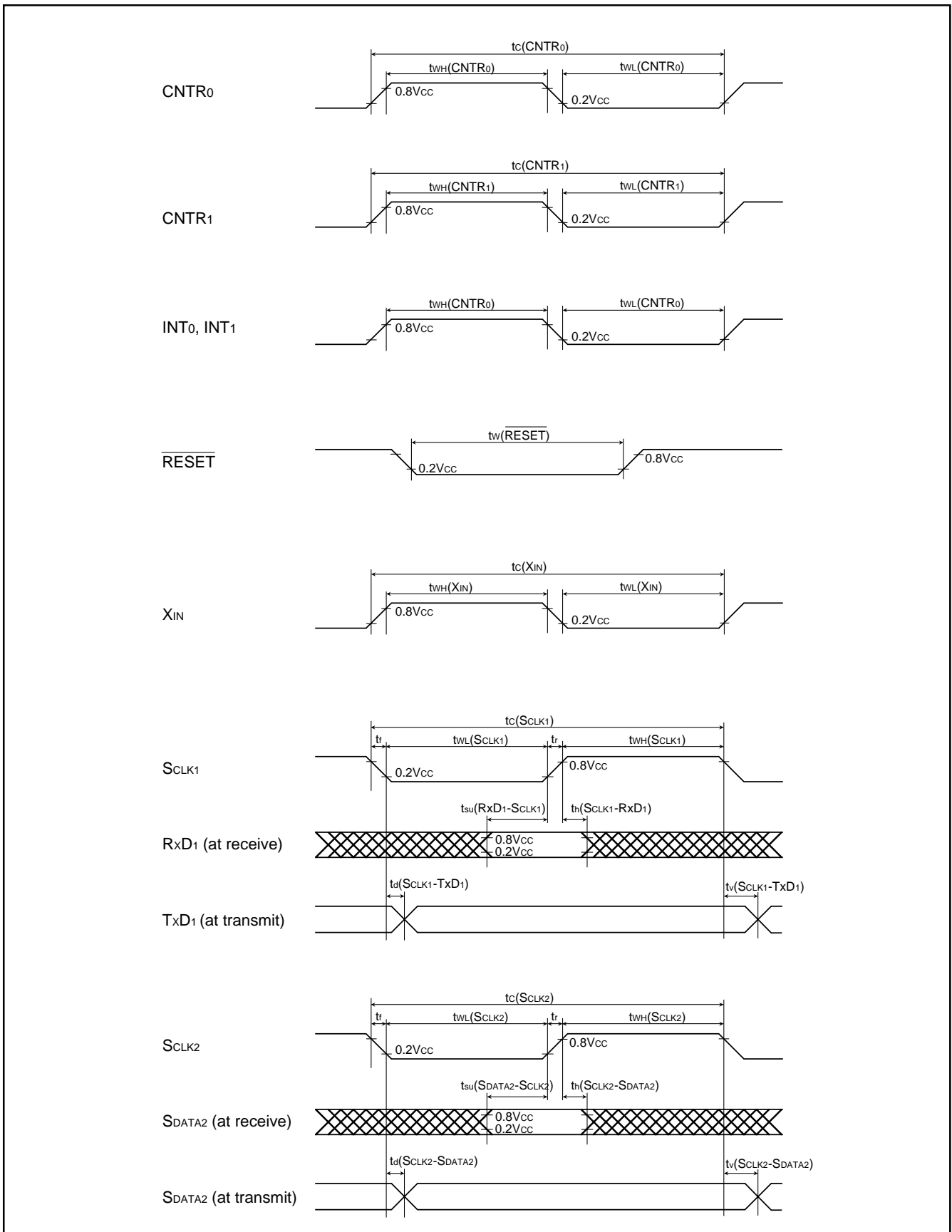


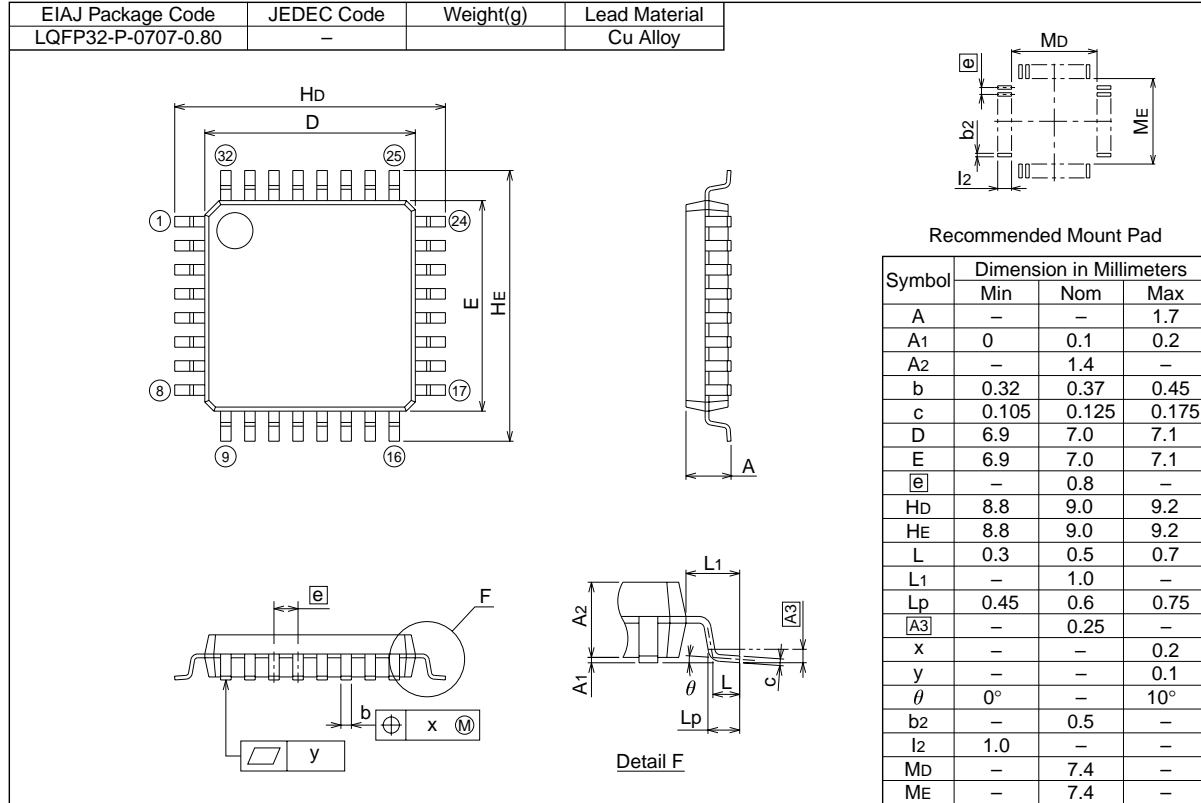
Fig. 57 Timing chart (Extended operating temperature 125 °C version)

PACKAGE OUTLINE

32P6U-A

Recommended

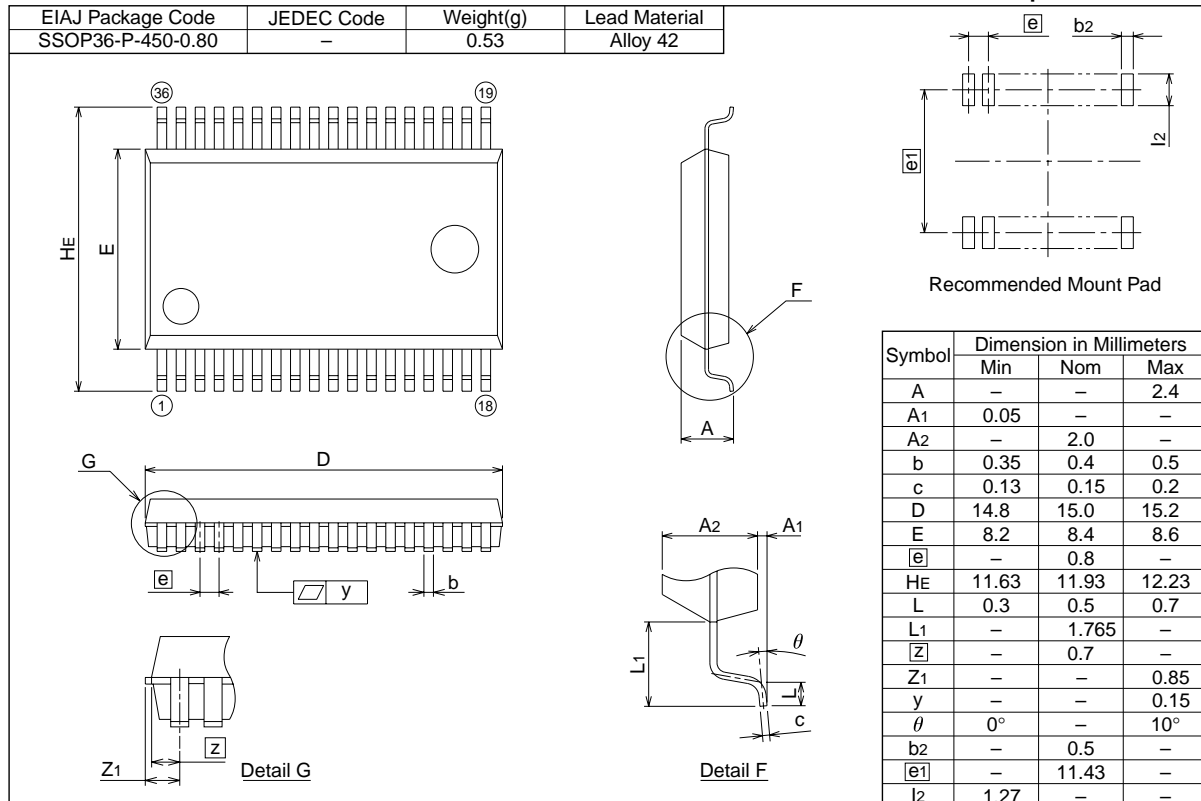
Plastic 32pin 7X7mm body LQFP



36P2R-A

Recommended

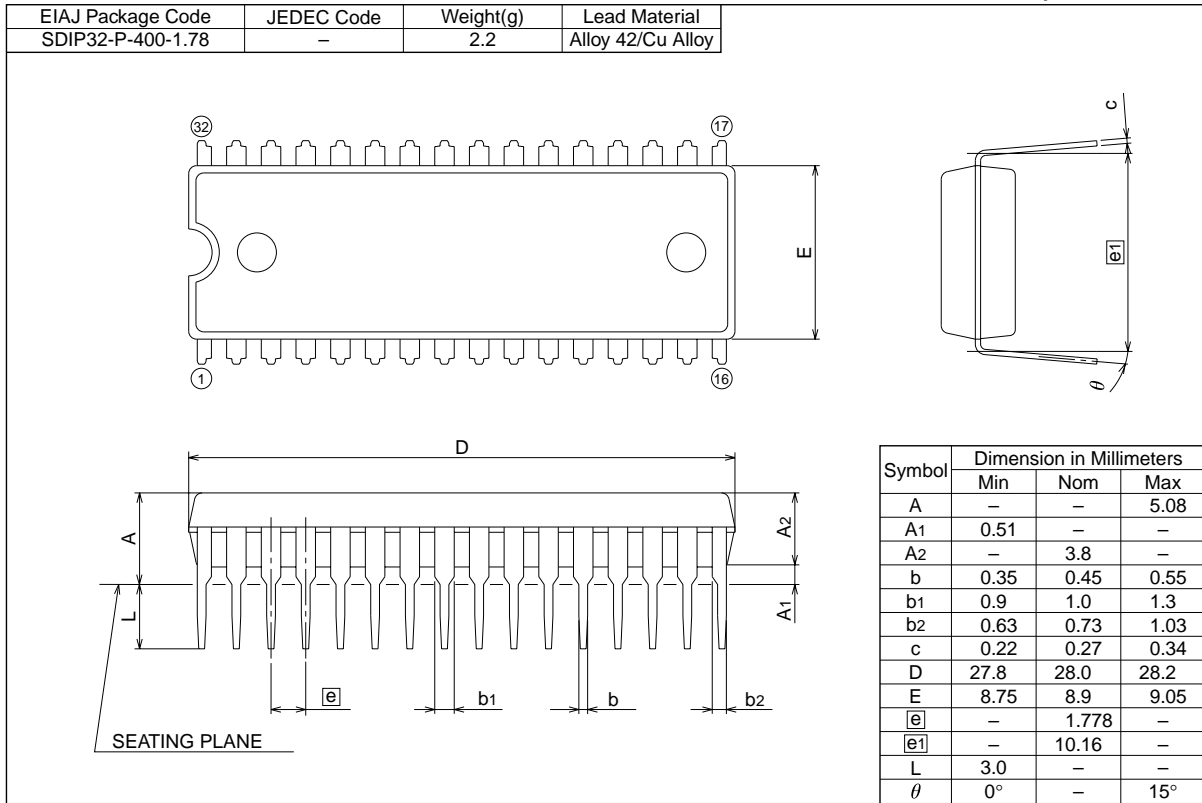
Plastic 36pin 450mil SSOP



32P4B

Recommended

Plastic 32pin 400mil SDIP



Renesas Technology Corp. Sales Strategic Planning Div. Nippon Bldg., 2-6-2, Ohte-machi, Chiyoda-ku, Tokyo 100-0004, Japan

Keep safety first in your circuit designs!

1. Renesas Technology Corp. puts the maximum effort into making semiconductor products better and more reliable, but there is always the possibility that trouble may occur with them. Trouble with semiconductors may lead to personal injury, fire or property damage. Remember to give due consideration to safety when making your circuit designs, with appropriate measures such as (i) placement of substitutive, auxiliary circuits, (ii) use of nonflammable material or (iii) prevention against any malfunction or mishap.

Notes regarding these materials

1. These materials are intended as a reference to assist our customers in the selection of the Renesas Technology Corp. product best suited to the customer's application; they do not convey any license under any intellectual property rights, or any other rights, belonging to Renesas Technology Corp. or a third party.
 2. Renesas Technology Corp. assumes no responsibility for any damage, or infringement of any third-party's rights, originating in the use of any product data, diagrams, charts, programs, algorithms, or circuit application examples contained in these materials.
 3. All information contained in these materials, including product data, diagrams, charts, programs and algorithms represents information on products at the time of publication of these materials, and are subject to change by Renesas Technology Corp. without notice due to product improvements or other reasons. It is therefore recommended that customers contact Renesas Technology Corp. or an authorized Renesas Technology Corp. product distributor for the latest product information before purchasing a product listed herein.
The information described here may contain technical inaccuracies or typographical errors.
Renesas Technology Corp. assumes no responsibility for any damage, liability, or other loss rising from these inaccuracies or errors.
Please also pay attention to information published by Renesas Technology Corp. by various means, including the Renesas Technology Corp. Semiconductor home page (<http://www.renesas.com>).
 4. When using any or all of the information contained in these materials, including product data, diagrams, charts, programs, and algorithms, please be sure to evaluate all information as a total system before making a final decision on the applicability of the information and products. Renesas Technology Corp. assumes no responsibility for any damage, liability or other loss resulting from the information contained herein.
 5. Renesas Technology Corp. semiconductors are not designed or manufactured for use in a device or system that is used under circumstances in which human life is potentially at stake. Please contact Renesas Technology Corp. or an authorized Renesas Technology Corp. product distributor when considering the use of a product contained herein for any specific purposes, such as apparatus or systems for transportation, vehicular, medical, aerospace, nuclear, or undersea repeater use.
 6. The prior written approval of Renesas Technology Corp. is necessary to reprint or reproduce in whole or in part these materials.
 7. If these products or technologies are subject to the Japanese export control restrictions, they must be exported under a license from the Japanese government and cannot be imported into a country other than the approved destination.
Any diversion or reexport contrary to the export control laws and regulations of Japan and/or the country of destination is prohibited.
 8. Please contact Renesas Technology Corp. for further details on these materials or the products contained therein.
-



RENESAS SALES OFFICES

<http://www.renesas.com>

Renesas Technology America, Inc.

450 Holger Way, San Jose, CA 95134-1368, U.S.A
Tel: <1> (408) 382-7500 Fax: <1> (408) 382-7501

Renesas Technology Europe Limited.

Dukes Meadow, Millboard Road, Bourne End, Buckinghamshire, SL8 5FH, United Kingdom
Tel: <44> (1628) 585 100, Fax: <44> (1628) 585 900

Renesas Technology Europe GmbH

Dornacher Str. 3, D-85622 Feldkirchen, Germany
Tel: <49> (89) 380 70 0, Fax: <49> (89) 929 30 11

Renesas Technology Hong Kong Ltd.

7/F., North Tower, World Finance Centre, Harbour City, Canton Road, Hong Kong
Tel: <852> 2265-6688, Fax: <852> 2375-6836

Renesas Technology Taiwan Co., Ltd.

FL 10, #99, Fu-Hsing N. Rd., Taipei, Taiwan
Tel: <886> (2) 2715-2888, Fax: <886> (2) 2713-2999

Renesas Technology (Shanghai) Co., Ltd.

26/F., Ruijin Building, No.205 Maoming Road (S), Shanghai 200020, China
Tel: <86> (21) 6472-1001, Fax: <86> (21) 6415-2952

Renesas Technology Singapore Pte. Ltd.

1, Harbour Front Avenue, #06-10, Keppel Bay Tower, Singapore 098632
Tel: <65> 6213-0200, Fax: <65> 6278-8001



REVISION DESCRIPTION LIST

7540 Group DATA SHEET

Rev. No.	Revision Description	Rev. date
1.0	First Edition	991122
2.0	<p>Page 1:</p> <p>FEATURES</p> <ul style="list-style-type: none"> • The minimum instruction execution time revised; <u>0.34 μs</u> (at <u>6 MHz</u> oscillation frequency, <u>double-speed mode</u> for the shortest instruction) • Power source voltage added; XIN oscillation frequency at ceramic oscillation , in high-speed mode At 6 MHz.....4.5 to 5.5 V • Power dissipation revised; Mask ROM version.....22.5 mW (standard) One Time PROM version.....30 mW (standard) <p>PIN CONFIGURATION</p> <p>Fig. 1 revised; Package type → 32P6<u>U</u>-A, Product name “M37540M4T-XXXGP” added</p> <p>Page 2: Fig. 2 revised; Product name “M37540M4T-XXXFP” added</p> <p>Page 3: Fig. 4 M37540RSS pin configuration (42S1M) added</p> <p>Page 4: Fig. 5 Functional block diagram revised; Package type → 32P6<u>U</u></p> <p>Page 7: PIN DESCRIPTION revised; Notes 1 to 3 added</p> <p>Page 8: Package type revised; → 32P6<u>U</u>-A.....0.8 mm-pitch plastic molded <u>L</u>QFP → 36P2R-A.....0.8 mm-pitch plastic molded <u>S</u>SOP</p> <p>Table 2 revised; Package type → 32P6<u>U</u>-A</p> <p>Pages 9 to 11: Structure of CPU added</p> <p>Page 12: Fig. 11 Initial value added, Fig. 12 Description revised</p> <p>Page 16: Table 5 Non-port function of port P0 revised, Notes 2 and 3 added</p> <p>Page 17: Fig. 17 Port P0 revised</p> <p>Page 18: Fig. 18 Note added</p> <p>Page 20: Fig. 20 Initial values added, Interrupt enable bit of ICON1; Note added</p> <p>Page 21: Fig. 21 Port P0o key-on wakeup selection bit added</p>	010108

REVISION DESCRIPTION LIST

7540 Group DATA SHEET

Rev. No.	Revision Description	Rev. date
2.0	<p>(continued)</p> <p>Pages 22 to 30: Description of timers revised all</p> <p>Page 31: Fig. 25 to Fig. 27 Initial values added</p> <p>Page 33: Fig. 29 Reference of Figure revised → Fig. <u>50, 51</u></p> <p>Page 36: Description of SIO1STS revised; "All bits" → "Bits 0 to 6" Description of UARTCON revised; "P12/SCLK1" pin eliminated</p> <p>Page 37: Fig. 34 Initial value added</p> <p>Page 38: Fig. 35 Initial value added</p> <p>Page 39: Fig. 37 Note revised</p> <p>Page 40: Fig. 38 Initial value added</p> <p>Page 41: Fig. 42 Initial value added</p> <p>Page 42: Description in the case of 6 MHz added</p> <p>Page 43: Fig. 45 Contents of (7), (8) revised</p> <p>Page 45: Fig. 49 Functions of b1 and b7 revised, Initial value added</p> <p>Page 46: Fig. 50 A resistor of XOUT pin eliminated</p> <p>Page 47: Description of oscillation stop detection circuit added, Fig. 52 revised</p> <p>Page 48: Notes on Ports revised</p> <p>Pages 50 to 68: Electrical characteristics revised all</p> <p>Page 69: Package type revised; 32P6<u>U</u>-A</p>	010108
3.0	<p>All pages: The following is eliminated;</p> <p>"PRELIMINARY Notice: This is not a final specification. Some parametric limits are subject to change."</p> <p>Page 1: • Memory size ROM/RAM size revised, • Operating temperature range 125 °C version added, and Note revised</p> <p>Page 2: Fig. 1 and Fig. 2 Product name revised</p> <p>Page 3: Fig. 3 Product name revised</p> <p>Page 7: Table 1 XIN, XOUT Functional description added, Note 1 125 °C version added</p> <p>Page 8: Memory size ROM/RAM size, Package description, and Fig. 8 revised</p> <p>Page 9: Table 2 revised</p> <p>Page 14: Fig. 13 ROM/RAM area added</p>	020610

REVISION DESCRIPTION LIST

7540 Group DATA SHEET

Rev. No.	Revision Description	Rev. date
3.0	<p>(continued)</p> <p>Page 19: Fig. 18 (9) Port P14 revised</p> <p>Page 20: Note revised</p> <p>Page 23: ● Timer 1 “Prescaler 1 counts <u>the signal which is the oscillation frequency divided by 16.</u>” (1) Timer mode “Timer A counts <u>the oscillation frequency divided by 16.</u>”</p> <p>Page 24: ● Timer X “Timer X can can be selected in one of 4 operating modes by <u>setting the timer X operating mode bits of</u> the timer X mode register.” (1) Timer mode “Prescaler X counts the <u>count source selected by the timer X count source selection bits.</u>”</p> <p>Page 26: ● Timer Y “Timer Y can can be selected in one of 4 operating modes by <u>setting the timer Y operating mode bits of</u> the timer Y mode register.” (1) Timer mode “Prescaler Y counts the <u>count source selected by the timer Y count source selection bits.</u>”</p> <p>Page 27: Note on reading timer added.</p> <p>Page 28: ● Timer Z “Timer Z can can be selected in one of 4 operating modes by <u>setting the timer Z operating mode bits of</u> the timer Z mode register.” (1) Timer mode “Prescaler Z counts the <u>count source selected by the timer Z count source selection bits.</u>”</p> <p>Page 30: Note on reading timer added.</p> <p>Page 36: Note on Serial I/O added.</p> <p>Page 44: Clock generating circuit The following description added. (1) On-chip oscillator operation, (2) Ceramic resonator, (3) RC oscillation, and (4) External clock Fig. 46 Resistor and Note added, Fig. 47 Note added, and Fig. 49 added.</p> <p>Page 45: ● Oscillation stop detection circuit Note added.</p> <p>Page 46: Fig. 51 and Fig. 52 revised.</p> <p>Page 47: Fig. 53 Note 4 added.</p> <p>Pages 48 to 50: Notes revised</p> <p>Page 51: DATA REQUIRED FOR MASK ORDERS revised DATA REQUIRED FOR ROM PROGRAMMING ORDERS added</p>	020610

REVISION DESCRIPTION LIST

7540 Group DATA SHEET

Rev. No.	Revision Description	Rev. date
3.0	<p>(continued)</p> <p>Page 52: Product name added, Table 8 Note revised.</p> <p>Page 57: Table 13 Ladder resistor value revised, Layout revised.</p> <p>Page 63: Product name added, Table 20 Note revised.</p> <p>Page 67: Table 24 Characteristics for One Time PROM version added.</p> <p style="padding-left: 40px;">Mask ROM version; "VCC = 5 V" eliminated from the following Test condition.</p> <p style="padding-left: 40px;">f(X_{IN}) = 6 MHz</p> <p style="padding-left: 40px;">f(X_{IN}) = 8MHz, middle-speed mode</p> <p>Page 68: Table 25 Ladder resistor value revised, Layout revised.</p> <p>Page 72 to 80: Extended operating temperature 125 °C version added.</p>	020610
3.1	<p>Page 57: Table 13, Page 68: Table 25 and Page 77: Table 35</p> <p>Error of the ladder resistor in A/D converter characteristics corrected.</p> <p>As usual, (Rev.2.0 or before), the value is not changed from Typical 55 kΩ.</p>	020701

REVISION HISTORY

7540 Group Data Sheet

Rev.	Date	Description	
		Page	Summary
3.20	May. 28, 2003	16 18 33 44	[Pull-up control register] PULL; Note added. Fig.15; Note 2 eliminated. Fig.17; (2) Ports P01,P02 revised. Fig.29; Port P03 direction register block, Port P01 direction register block and Port P02 direction register block revised. (3) RC oscillation revised.
4.00	Jun. 21, 2004	All pages 8 9 10 16 18 33 40 44 50 51 81	Words standardized: On-chip oscillator, A/D converter Fig. 8: "Under development" eliminated. Table 2: "Under development" eliminated. CPU: Description revised. [Pull-up control register] PULL: Note added, Fig. 15: Note eliminated. Fig.17 (2) Ports P01, P02 revised. Fig. 29 P03/TXOUT, P01/TYOUT, P02/TZOUT revised. Note on A/D converter added. Fig. 49 revised. Note on A/D converter added. Notes on clock generating circuit added. Note on Power Source Voltage, and Electrical Characteristic Difference Among Mask ROM and One Time PROM Version MCUs added. 32P6U-A revised.